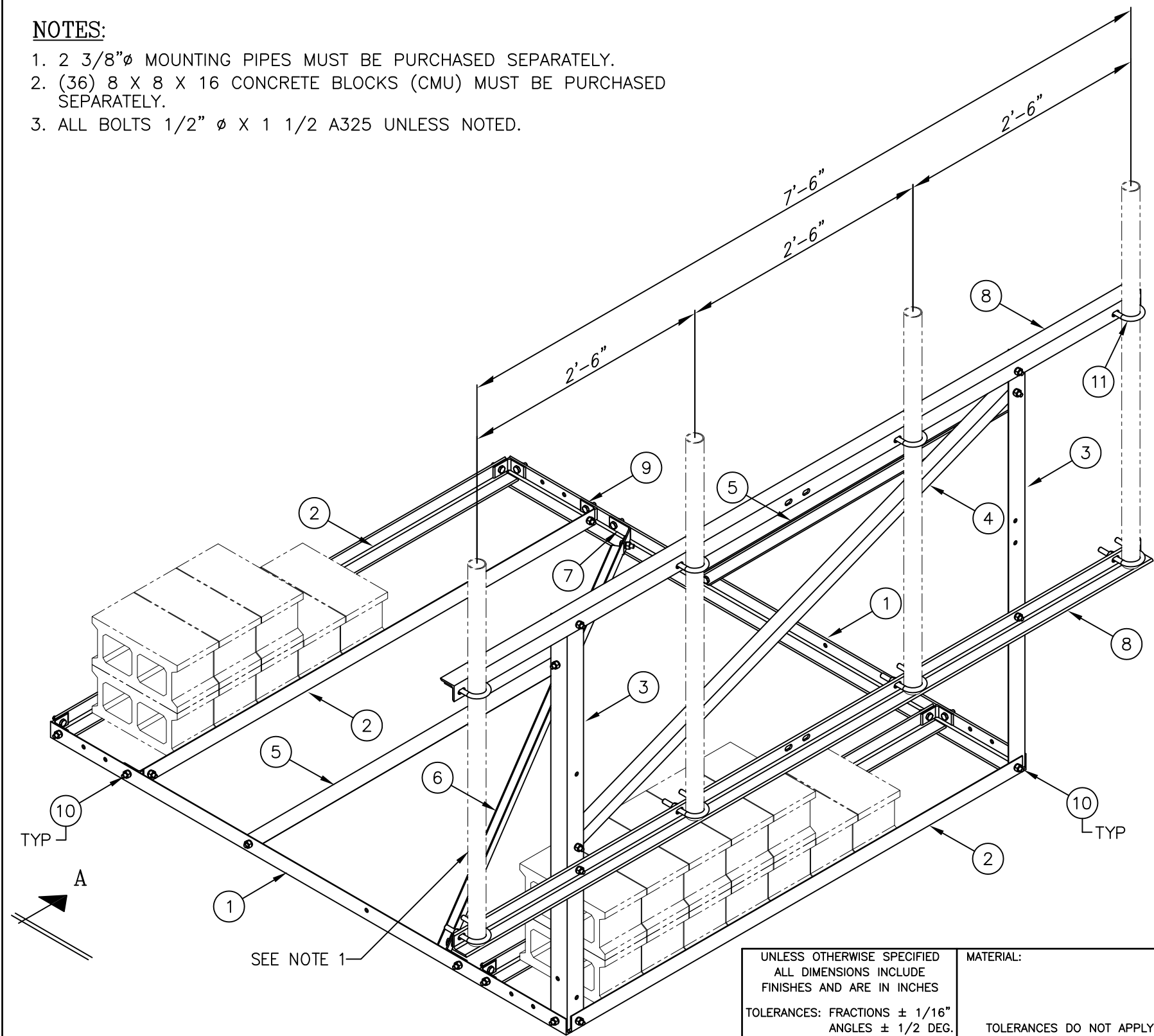




NOTES:

1. 2 3/8"Ø MOUNTING PIPES MUST BE PURCHASED SEPARATELY.
2. (36) 8 X 8 X 16 CONCRETE BLOCKS (CMU) MUST BE PURCHASED SEPARATELY.
3. ALL BOLTS 1/2" Ø X 1 1/2 A325 UNLESS NOTED.



C10223201 7FT. FACE SECTOR ROOF MOUNT

(1)	CK00081	SECTOR ROOF MOUNT ANGLE KIT	255
(1)	CK00373	SECTOR ROOF MOUNT 7' FACE ANGLE KIT	66
(1)	CK00017	ROOF MOUNT ANGLE KIT	3
(1)	---	MISC. ITEMS AND HARDWARE LIST	21
TOTAL WEIGHT			345

CK00081 KIT LIST OF MATERIAL

ITEM	QTY.	PART. NO.	DESCRIPTION	WEIGHT
1.	2	CS00100	ANGLE, SIDE	50
2.	4	CS00101	ANGLE, BALLAST	88
3.	2	CS00102	ANGLE, FRONT	42
4.	1	CS00104	ANGLE, FRONT DIAGONAL	19
5.	2	CS00105	ANGLE, SIDE DIAGONAL	35
6.	1	CS00106	ANGLE, BOTTOM DIAGONAL	20
7.	2	CS00108	BENT PLATE	1
TOTAL WEIGHT				255

CK00373 KIT LIST OF MATERIAL

ITEM	QTY.	PART. NO.	DESCRIPTION	WEIGHT
8.	2	CS02266	ANGLE, PIPE MOUNT	66
TOTAL WEIGHT				66

CK00017 KIT LIST OF MATERIAL

ITEM	QTY.	PART. NO.	DESCRIPTION	WEIGHT
9.	6	CS00107	ANGLE, CORNER	3
TOTAL WEIGHT				3

MISC. ITEMS AND HARDWARE

ITEM	QTY.	PART. NO.	DESCRIPTION	WEIGHT
10.	30	C40026003	BOLT ASSEMBLY, 1/2 X 1 1/2 A325	8
11.	8	C40034023	U-BOLT ASSEMBLY, 5/8 X 3 1/16 C-C	13
TOTAL WEIGHT				21

PAGE 2

ISOMETRIC VIEW

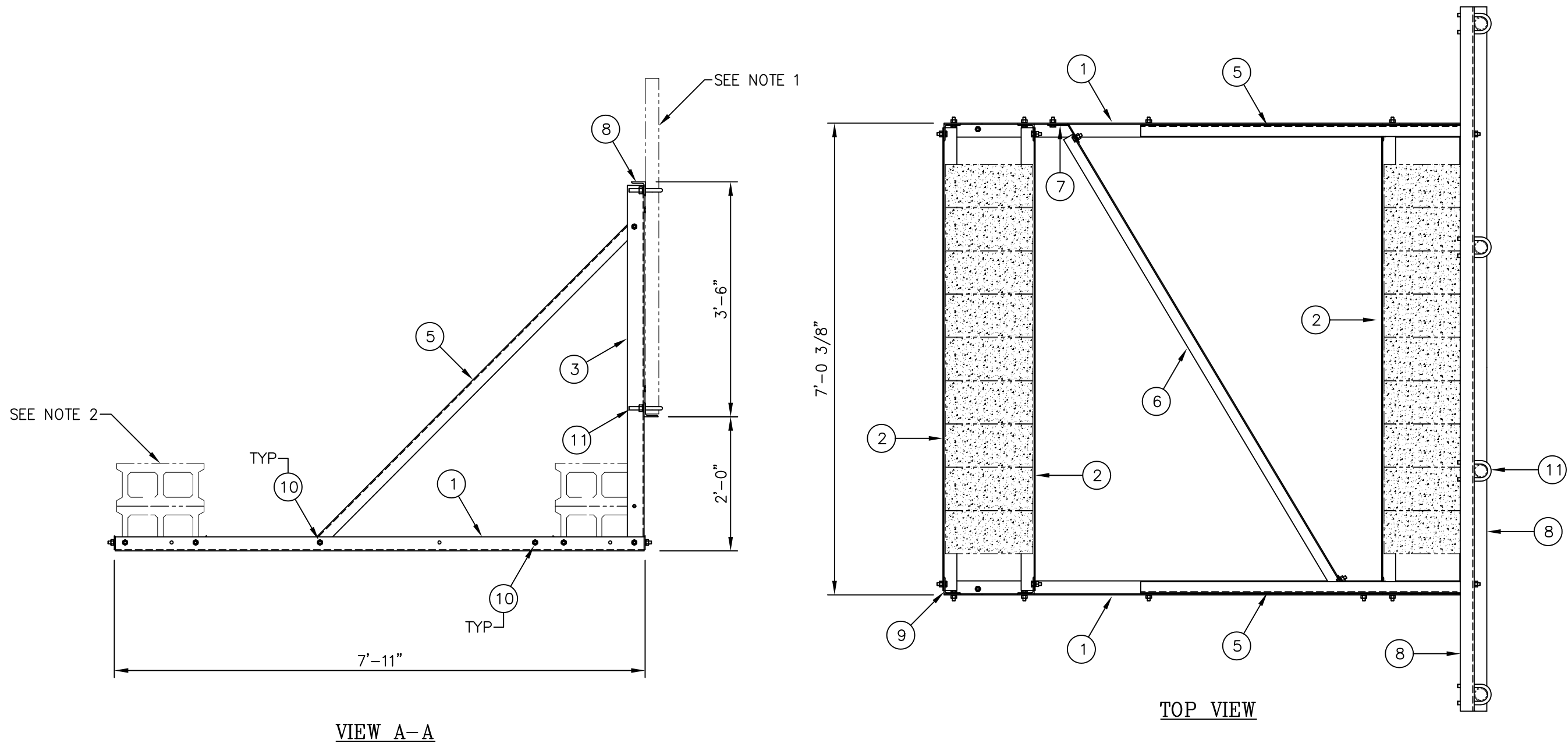
UNLESS OTHERWISE SPECIFIED ALL DIMENSIONS INCLUDE FINISHES AND ARE IN INCHES		MATERIAL:	
TOLERANCES: FRACTIONS ± 1/16" ANGLES ± 1/2 DEG. DECIMALS ± .010"		TOLERANCES DO NOT APPLY TO RAW MATERIAL	
REV	DATE	DRW/CHK	DESCRIPTION



CONFIDENTIAL
This document and the information contained herein is the confidential trade secret property of Sabre Communications Corporation ("Sabre") and must not be reproduced, copied or used, in whole or in part, for any purpose without the prior written consent of Sabre.
© 2009 Sabre Communications Corporation. All rights reserved.

**7 FT. FACE SECTOR ROOF MOUNT
(NON-PENETRATING)
W/ANTENNA MOUNTING PIPE HARDWARE
NO ANTENNA MOUNTING PIPES**

DATE	1/4/10	SIZE	B	DRAWING NO.	C10223201	REV	0
DRAWN BY	JV	CHECKED BY		SCALE	None	PAGE	1 OF 2



UNLESS OTHERWISE SPECIFIED
ALL DIMENSIONS INCLUDE
FINISHES AND ARE IN INCHES

TOLERANCES: FRACTIONS $\pm 1/16"$
ANGLES $\pm 1/2$ DEG.
DECIMALS $\pm .010"$

MATERIAL:

TOLERANCES DO NOT APPLY
TO RAW MATERIAL



CONFIDENTIAL

This document and the information contained herein is the confidential trade secret property of Sabre Communications Corporation ("Sabre") and must not be reproduced, copied or used, in whole or in part, for any purpose without the prior written consent of Sabre.

© 2009 Sabre Communications Corporation. All rights reserved.

7 FT. FACE SECTOR ROOF MOUNT
(NON-PENETRATING)
W/ANTENNA MOUNTING PIPE HARDWARE
NO ANTENNA MOUNTING PIPES

REV	DATE	DRW	CHK	DESCRIPTION

DATE	1/4/10	SIZE	B	DRAWING NO.	C10223201	REV	0
DRAWN BY	JV	SCALE	None	PAGE	2 OF 2		
CHECKED BY							