

SMALL CELL
POLE TOP COMPONENTS



Sabre Industries
INNOVATION DELIVERED

ORDERING GUIDE

SMALL CELL POLE TOP COMPONENTS

TABLE OF CONTENTS

COMPANY INTRODUCTION	3
4G / 5G SPECIFY REQUIRED PART NUMBER	4
4G / 5G POLE TOP MOUNTS EXAMPLES	5
4G / 5G MOUNT INFO	6
4G / 5G SKIRT INFO	7
4G SPECIFY REQUIRED PART NUMBER	8
4G POLE TOP MOUNTS EXAMPLES	9
4G MOUNT INFO	10
4G SKIRT INFO	11
ADAPTER INFO	12
COMPETITIVE ADVANTAGES	13
NATIONWIDE SALES CONTACTS	14
NOTES	15

COMPANY INTRODUCTION

TELECOM PRODUCTS

Sabre Industries is the only integrated provider capable of offering an end-to-end solution with both products and services to telecommunications customers across the United States. A leading producer of highly engineered products for wireless communications, we design and manufacture towers, shelters, tower accessories, classification components, and small cell and DAS infrastructure along with mobile disaster recovery products. Our services group completes the solution by providing a full range of infrastructure services including site development, installation, integration, modifications, and maintenance. No matter what you need today, our increased capacity, diverse mix of infrastructure products and services, and industry-leading design and engineering capabilities will provide you with a complete telecom solution.

SMALL CELL PRODUCTS

Pole Top Components, including antennas/radio mounts and concealed integrated solutions - Our pole top mount solutions are ideal complements to all infrastructure upgrades or retrofit projects. Our standard systems integrate with any antenna and back configurations, and smoothly blend into urban/suburban environments.



HOW TO SPECIFY REQUIRED PART NUMBER

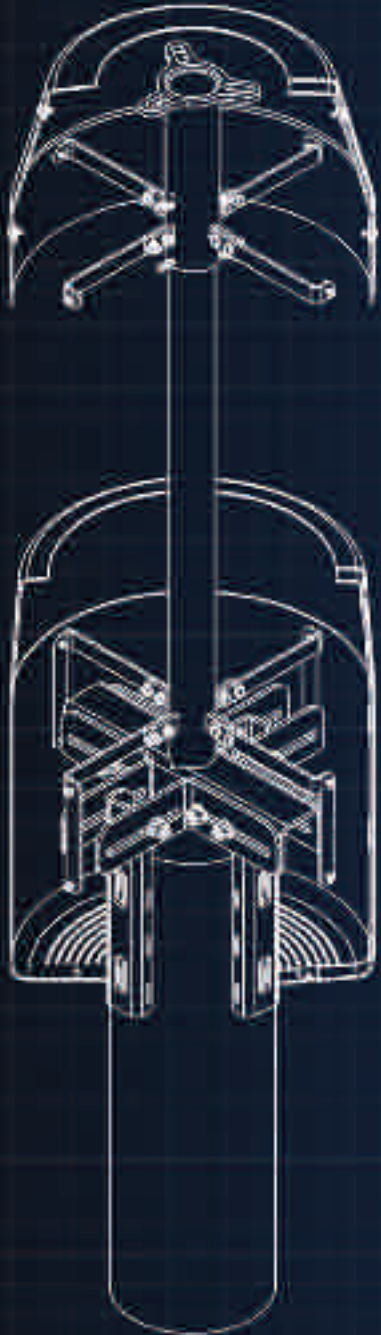
Characters needed to build the part number: **S 36B a b c dd -ee -ff**

SABRE SMALL CELL 4G/5G POLE TOP MOUNT KITS

Sabre Small Cell	S	S = Sabre Small Cell
Mount Type	###	36B = Top mount kit for 4G/5G antennas
Cable Skirt	a	A = No cable skirt C = Cable skirt
Mount	b	0 = 28" Large (4.5" - 14.25" pole diameter)* 1 = 28" Large Heavy Duty (4.5" - 14.25" pole diameter)* 2 = 36" Large (4.5" - 14.25" pole diameter)* 3 = 36" Large Heavy Duty (4.5" - 14.25" pole diameter)*
Cable Skirt Size	c	0 = No cable skirt 1 = Cable skirt for 6" - 10" antennas and 19" mount cover 2 = Cable skirt for 10" - 15" antennas and 19" mount cover 3 = Cable skirt for 15" - 18" antennas and 19" mount cover 4 = 19" mount cover
Antenna Adapter	dd	NA = No adapter for 4G omni antenna 00 = 3 BOLT 01 = 1"-14 STUD 02 = BOLTED OEM BRACKET 03 = 6 BOLT 04 = CENTER POST
Mount Finish and Cable Skirt Color (if applicable)	-ee -ff	00 – Galvanized (mount), no paint (skirt) 02 – Black 03 – Traffic Grey 04 – Agate Grey 05 – Silver Matte (Aluminum) 06 – Medusa Grey (Concrete) 07 – National Park Brown 08 – Green 09 – Bronze 99 – Custom

Ex. S36BC2101-00-05 = 36" Large heavy duty pole top mount with 1"-14 stud adapter, cable skirt for 6"-10" diameter antennas and 19" diameter mount cover - mount unpainted - skirt painted Silver Matte (Aluminum)

*Based on 180 mph ultimate basic wind speed, 50' rad center, Exposure Category C, Risk Category 1, Topographic Category 1 per 222-H
 With up to 16" diameter x 24" tall 4G canister antenna (50lbs), and
 (3) 14.5" tall x 11" wide x 6" deep 5G radios (100lbs total) for Large Mounts, or
 (3) 24" tall x 12" wide x 5" deep 5G radios (135lbs total) for Large Heavy Duty Mounts
 Contact your Sabre sales representative for review of other equipment configurations



SMALL CELL
**4G/5G POLE TOP MOUNTS
EXAMPLES**

S36BA00NA-00

- 28" LARGE MAST MOUNT WITH NO
ANTENNA ADAPTER - UNPAINTED



S36BA1000-07

- 28" LARGE HEAVY DUTY MAST
MOUNT WITH 3 BOLT ANTENNA
ADAPTER - MOUNT PAINTED NATIONAL
PARK BROWN



S36BC04NA-00-02

- 28" LARGE MAST MOUNT WITH 19"
MOUNT COVER - MOUNT UNPAINTED -
MOUNT COVER PAINTED BLACK



S36BC1201-05-05

- 28" LARGE HEAVY DUTY MAST MOUNT
WITH CABLE SKIRT FOR 10"-15" ANTENNAS,
19" MOUNT COVER AND 1" STUD ADAPTER
- MOUNT, CABLE SKIRT AND MOUNT
COVER PAINTED SILVER MATTE (ALUMINUM)

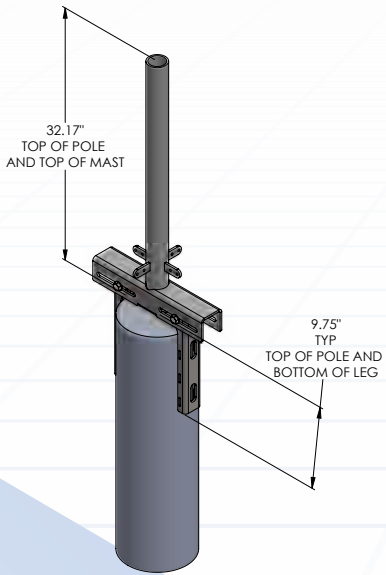


SMALL CELL
4G/5G POLE TOP MOUNTS

MOUNT INFO

28" LARGE

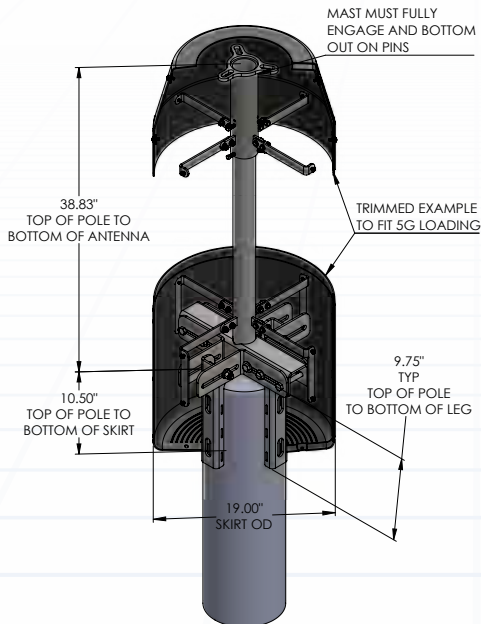
(4.5" - 14.25" pole diameter)*



4G ANTENNA ADAPTER AND SKIRT NOT SHOWN

28" LARGE HEAVY DUTY

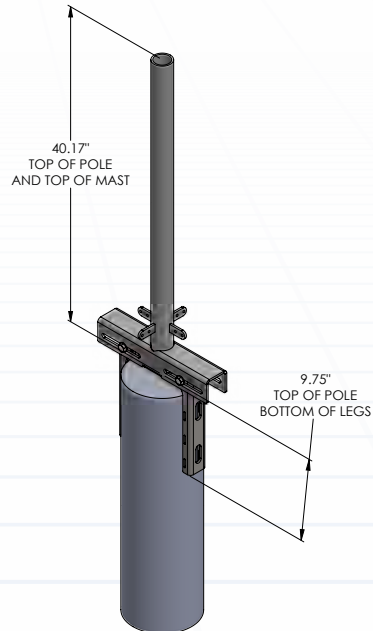
(4.5" - 14.25" pole diameter)*



SKIRT HALF HIDDEN TO SHOW DETAIL

36" LARGE

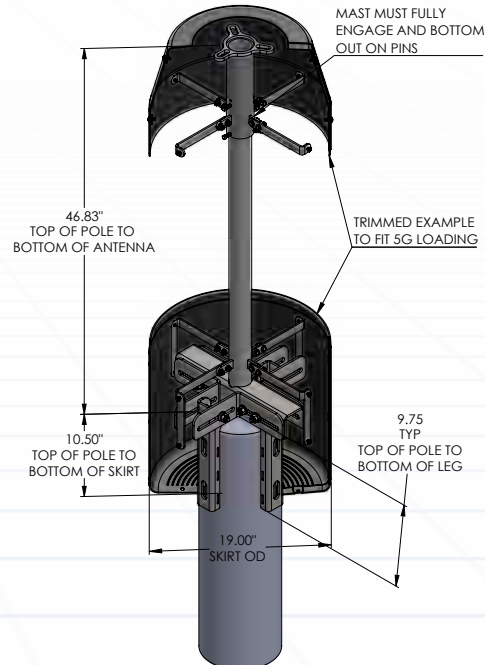
(4.5" - 14.25" pole diameter)*



4G ANTENNA ADAPTER AND SKIRT NOT SHOWN

36" LARGE HEAVY DUTY

(4.5" - 14.25" pole diameter)*



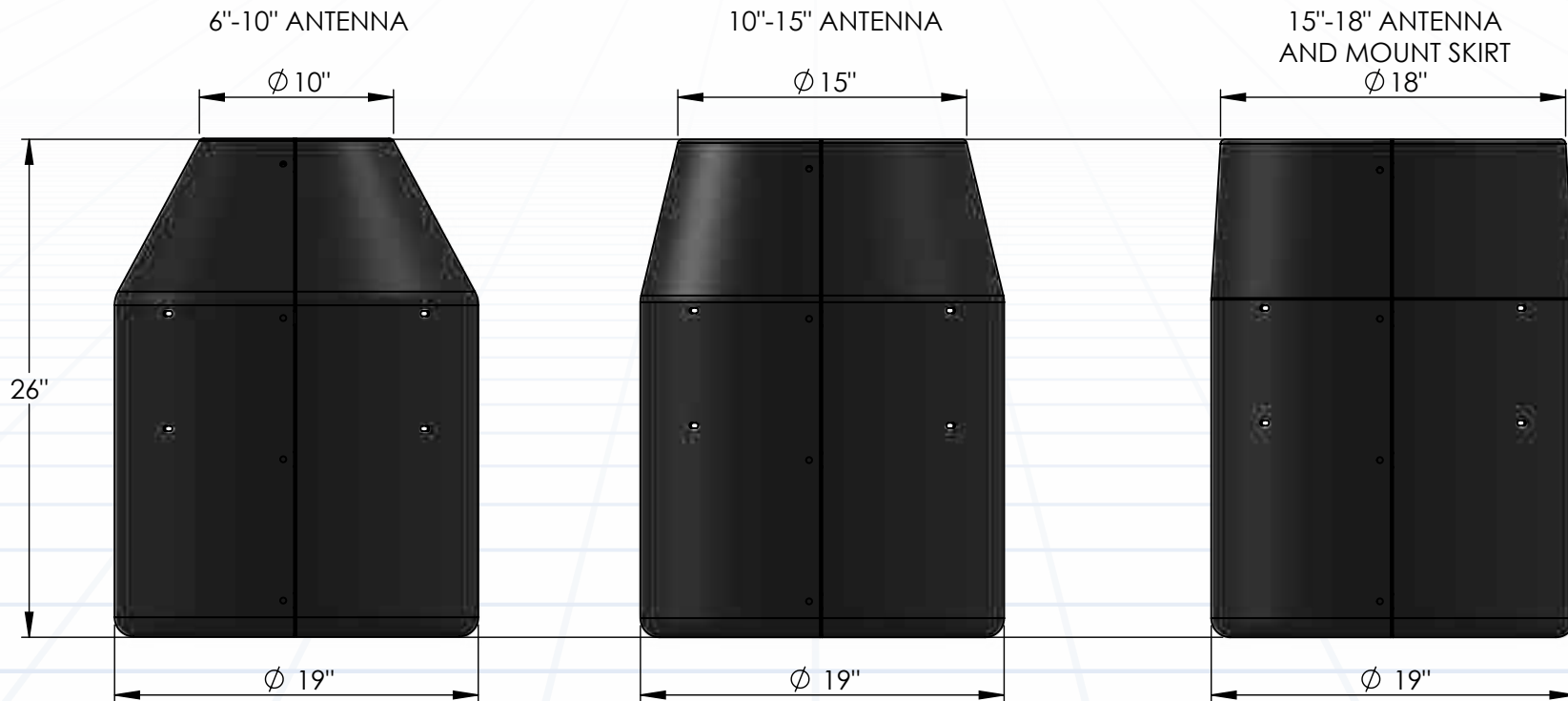
SKIRT HALF HIDDEN TO SHOW DETAIL

*Based on 100 mph ultimate basic wind speed, 00' rod center, Exposure Category C, Risk Category 1, Topographic Category 1 per 222-91
 With up to 16" diameter x 24" tall 4G carrier antenna (50lbs), and
 (Ø) 14.5" tall x 11" wide x 6" deep 5G radios (100lbs total for Large Mounts, or
 (Ø) 24" tall x 13" wide x 3" deep 5G radios (135lbs total for Large Heavy Duty Mounts)
 Contact your Sabre sales representative for review of other equipment configurations

SKIRT INFO

FOR LARGE AND LARGE HEAVY DUTY MOUNTS

(4.5" - 14.25" pole diameter)



HOW TO SPECIFY REQUIRED PART NUMBER

Characters needed to build the part number: **S 35B a b c dd -ee -ff**

SABRE SMALL CELL 4G POLE TOP MOUNT KITS

Sabre Small Cell	S	S = Sabre Small Cell
Mount Type	###	35B = Top mount kit for omni antennas
Cable Skirt	a	A = No cable skirt C = Cable skirt
Mount	b	1 = Small (3" - 8.625" pole diameter and up to 16" diameter x 48" tall antenna*) 2 = Large (4.5" - 14.25" pole diameter and up to 16" diameter x 48" tall antenna*) 3 = Large Heavy Duty (4.5" - 14.25" pole diameter and up to 23" x 66" tall antenna*)
Cable Skirt Size	c	0 = no cable skirt 1 = 6"-10" diameter antenna 2 = 10"-15" diameter antenna 3 = 15"-18" diameter antenna
Antenna Adapter	dd	00 = 3 BOLT 01 = 1"-14 STUD 02 = BOLTED OEM BRACKET 03 = 6 BOLT 04 = CENTER POST
Mount Finish and Cable Skirt Color (if applicable)	-ee -ff	00 – Galvanized (mount), no paint (skirt) 02 – Black 03 – Traffic Grey 04 – Agate Grey 05 – Silver Matte (Aluminum) 06 – Medusa Grey (Concrete) 07 – National Park Brown 08 – Green 09 – Bronze 99 – Custom

Ex. S35BC2101-00-05 = Large pole top mount with 3 bolt adapter and cable skirt for 6"-10" diameter antennas - mount unpainted - skirt painted Silver Matte (Aluminum)

*Based on 180 mph ultimate basic wind speed, 50' rad center, Exposure Category C, Risk Category 1, Topographic Category 1 per ANSI/TIA-222-H



SMALL CELL
4G POLE TOP MOUNTS

EXAMPLES

S35BA1000-00

= Small pole top mount with 3 bolt adapter and no cable skirt - unpainted



S35BA1000-07

= Small pole top mount with 3 bolt adapter and no cable skirt - painted National Park Brown



S35BC2101-00-05

= Large pole top mount with 3 bolt adapter and cable skirt for 6"-10" diameter antennas - mount unpainted - skirt painted Silver Matte (Aluminum)



S35BC2101-02-02

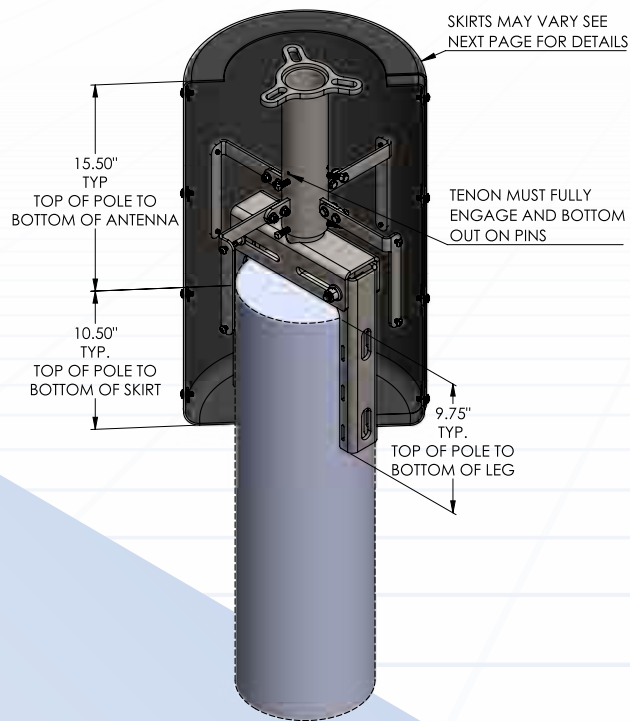
= Large pole top mount with 3 bolt adapter and cable skirt for 6"-10" diameter antennas - mount painted Black - skirt painted Black



MOUNT INFO

SMALL

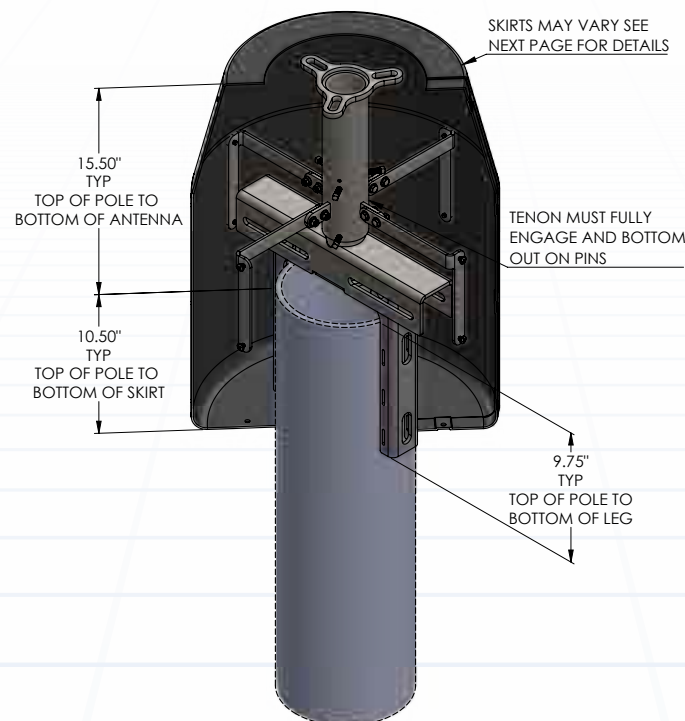
(3" - 8.625" pole diameter, and up to 16" diameter x 48" tall antenna*)



SKIRT HALF HIDDEN TO SHOW DETAIL

LARGE

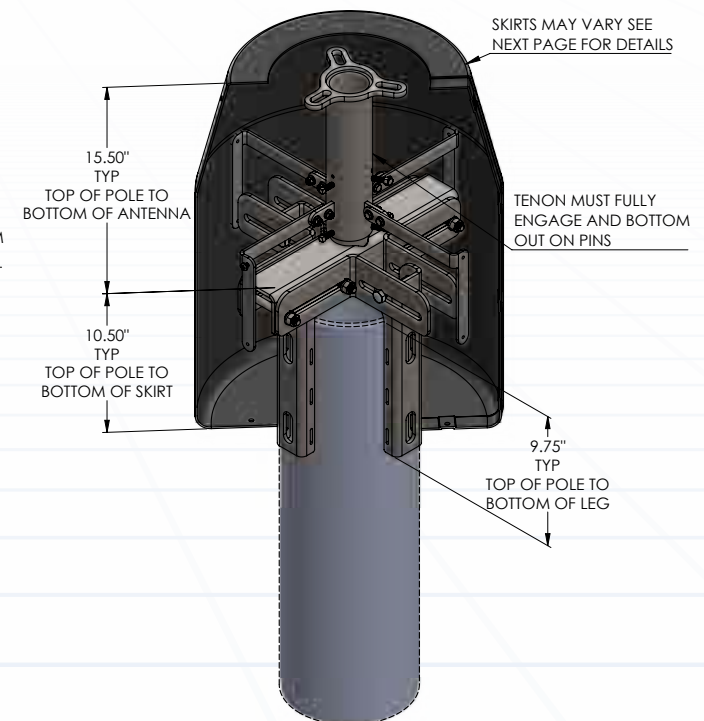
(4.5" - 14.25" pole diameter, and up to 16" diameter x 48" tall antenna*)



SKIRT HALF HIDDEN TO SHOW DETAIL

LARGE HEAVY DUTY

(4.5" - 14.25" pole diameter, and up to 23" x 66" tall antenna*)

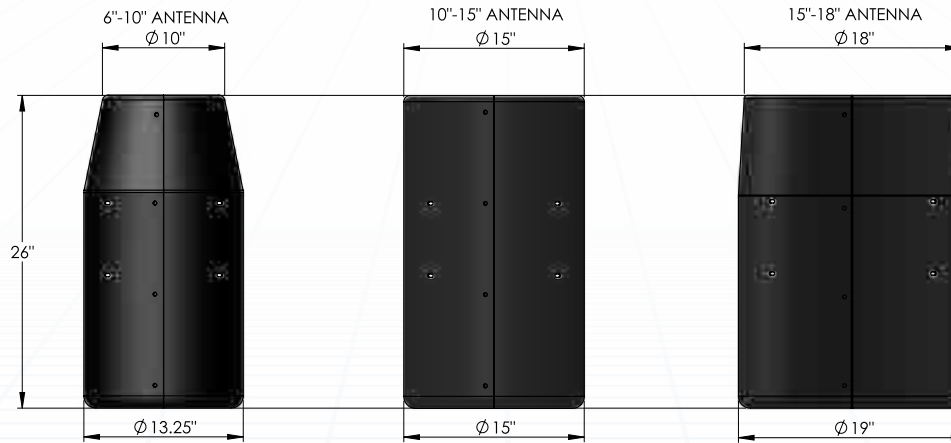


SKIRT HALF HIDDEN TO SHOW DETAIL

SKIRT INFO

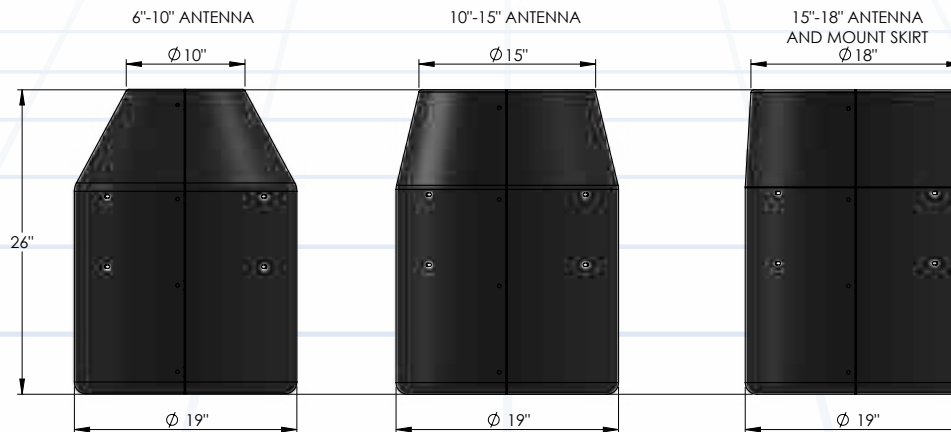
FOR SMALL MOUNTS

(3" - 6.625" pole diameter)



FOR LARGE AND LARGE HEAVY DUTY MOUNTS

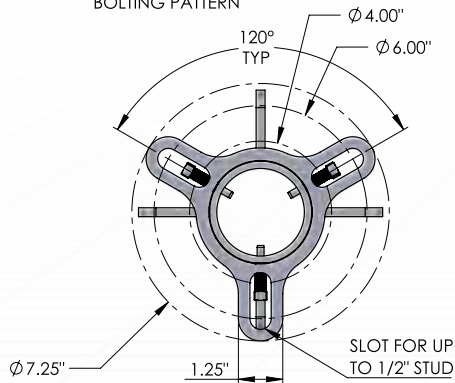
(4.5" - 14.25" pole diameter)



ADAPTER INFO

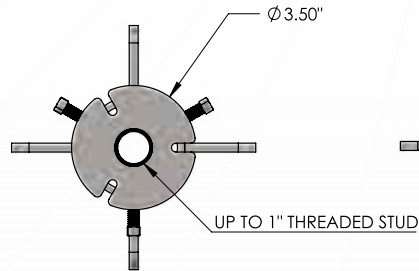
**00 =
3 BOLT**

FOR USE WITH ANTENNAS WITH SHOWN BOLTING PATTERN



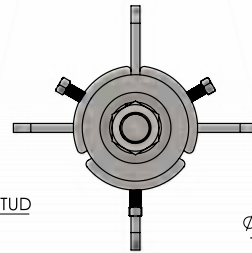
**01 =
1"-14 STUD**

FOR USE WITH ANTENNAS WITH UP TO A 1" CENTERED MOUNTING STUD



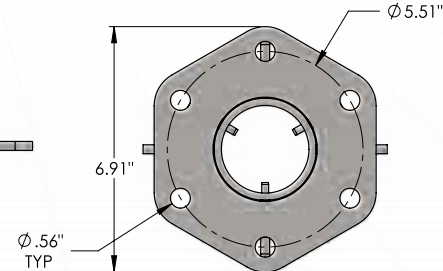
**02 =
BOLTED OEM
BRACKET**

FOR USE WITH ANTENNAS WITH AN OEM BASE BRACKET THAT HAS AROUND A 5.5" OR 6.375" STANDOFF AND 3/8" OR 7/8"-1" CENTER HOLE



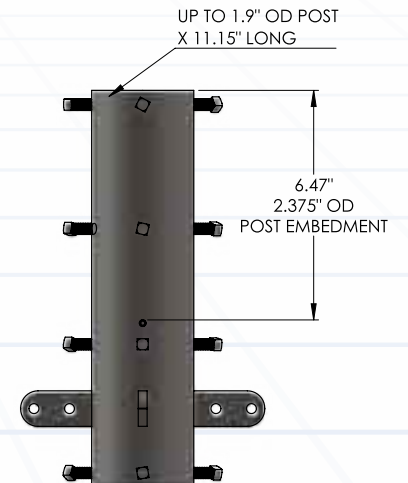
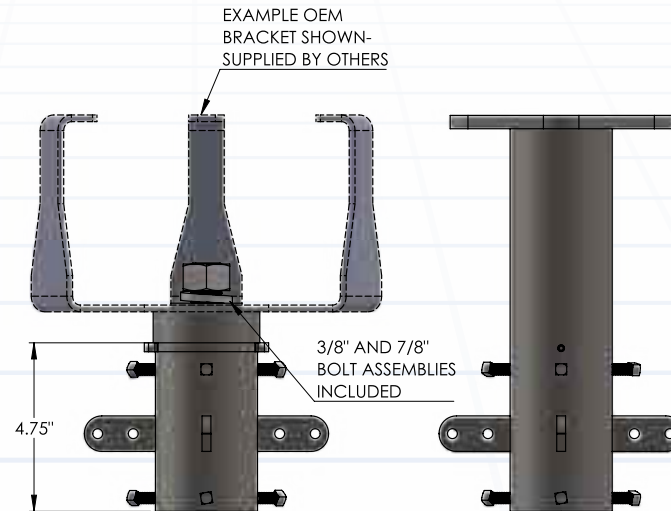
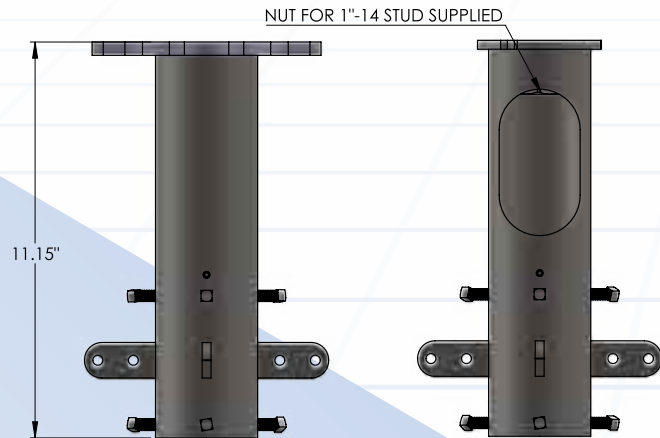
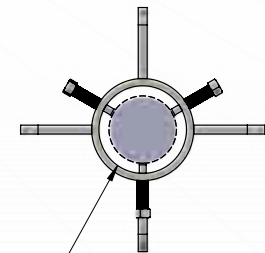
**03 =
6 BOLT**

FOR USE WITH ANTENNAS WITH SHOWN BOLTING PATTERN



**04 =
CENTER POST**

FOR USE WITH CCI STYLE ANTENNAS WITH INTEGRATED POST UP TO 2.375" OD



COMPETITIVE ADVANTAGES



- **SCALE** – We leverage economies of scale to drive unit costs down
- **VARIETY** – We offer a great variety of products and services that lead to our efficiencies such as Speed to Market
- **KNOW HOW** – The skills, abilities and experience of our employees are a critical factor in our creative solutions
- **PROCESSES** – Our efficient operational processes lend themselves to getting things done faster, and per schedule
- **ORGANIZATIONAL CULTURE** – We embrace aggressive innovation which ties to our core values
- **CAPITAL** – Our access to deeper financial resources gives us a major advantage in this capital-intensive Wireless Space
- **RISK MANAGEMENT** – We have the ability to optimize risk-reward by identifying and controlling probabilities
- **QUALITY** – We are committed to providing products and services that meet or exceed all customer requirements, applicable standards and specifications
- **INNOVATION** – We have the ability to develop new approaches that represent a leap forward in the Wireless Industry
- **CUSTOMER SATISFACTION** – We have the ability to consistently satisfy our customers by dedicating time and effort towards strategies that always put our customers first

WESTERN REGION

Joe Moscola

C: (702) 596-1908

E: jmoscola@sabreindustries.com

Inside Sales

Rolli Sexton

C: (712) 204-1767

E: rssexton@sabreindustries.com

CENTRAL REGION

Tim Hornbeck

C: (712) 204-4626

E: tjhornbeck@sabreindustries.com

Inside Sales

Jay Chadwick

C: (712) 253-9033

E: jachadwick@sabreindustries.com

NORTHEAST REGION

Ray Vernon

C: (712) 389-2781

E: rvernon@sabreindustries.com

Inside Sales

Josh Schlessor

C: (712) 389-2428

E: jdschlessor@sabreindustries.com

SOUTH REGION

Brad Lowe

C: (318) 458-6368

E: blowe@sabreindustries.com

Inside Sales

Jay Chadwick

C: (712) 253-9033

E: jachadwick@sabreindustries.com

SOUTHEAST REGION

Mike Checchio

C: (407) 808-1099

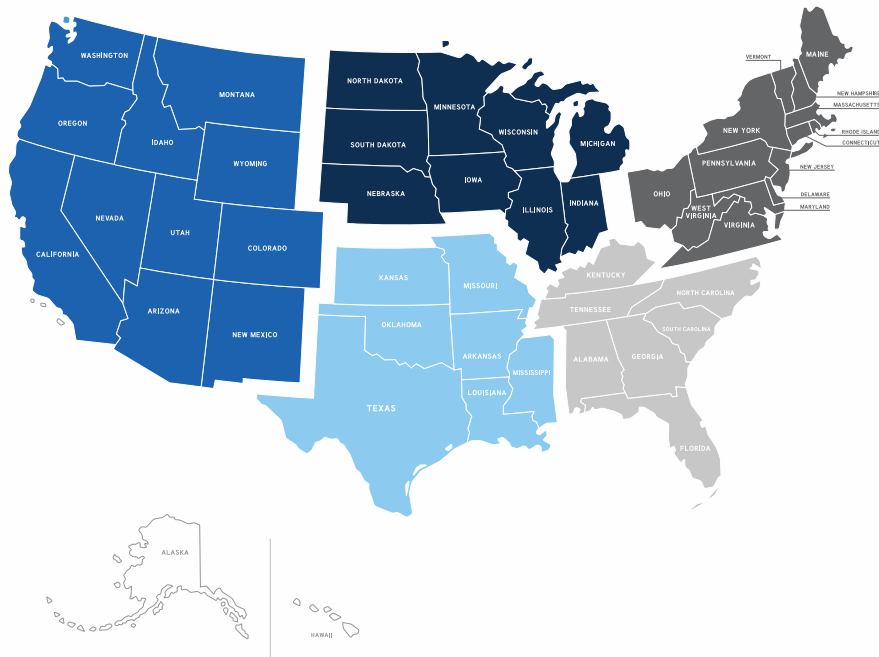
E: mchecchio@sabreindustries.com

Inside Sales

Josh Schlessor

C: (712) 389-2428

E: jdschlessor@sabreindustries.com



SVP OF TELECOM SALES

Mike Coghlan

C: (712) 898-9880

E: mpcoghlan@sabreindustries.com

SALES OPERATIONS MANAGER

Chad Peters

C: (712) 490-1980

E: cjpeters@sabreindustries.com

COMPONENTS PRODUCT MANAGER

Jake Robinson

C: (402) 922-0072

E: jjrobinson@sabreindustries.com

SMALL CELL PRODUCT MANAGER

Sam Rodriguez

C: (512) 721-6280

E: srodriguez@sabreindustries.com

INTERNATIONAL

Manuel de la Rocha

C: (809) 683-5242

E: mdelarocha@sabreindustries.com

GOVERNMENT/RENEWABLE

Heath Peterson – Government

C: (712) 577-1227

E: hgpeterson@sabreindustries.com

Andy VanRoekel - Renewable

C: (712) 899-0908

E: amvanroekel@sabreindustries.com

BROADCAST

Terry Becht

C: (512) 667-4034

E: tbecht@sabreindustries.com

ENERGY STORAGE

James Friend

C: (816) 665-2015

E: jfriends@sabreindustries.com

Jon Maule

C: (607) 821-8905

E: jmaule@sabreindustries.com

SMALL CELL POLE TOP COMPONENTS

NATIONWIDE SALES CONTACTS

NOTES



Sabre Industries™

INNOVATION DELIVERED



Sabre Industries

INNOVATION DELIVERED

Sabre Industries, Inc.
7101 South Ridge Drive
Scottsdale, Iowa 51151
(710) 258-6600
(800) 359-6600

www.SabreIndustries.com