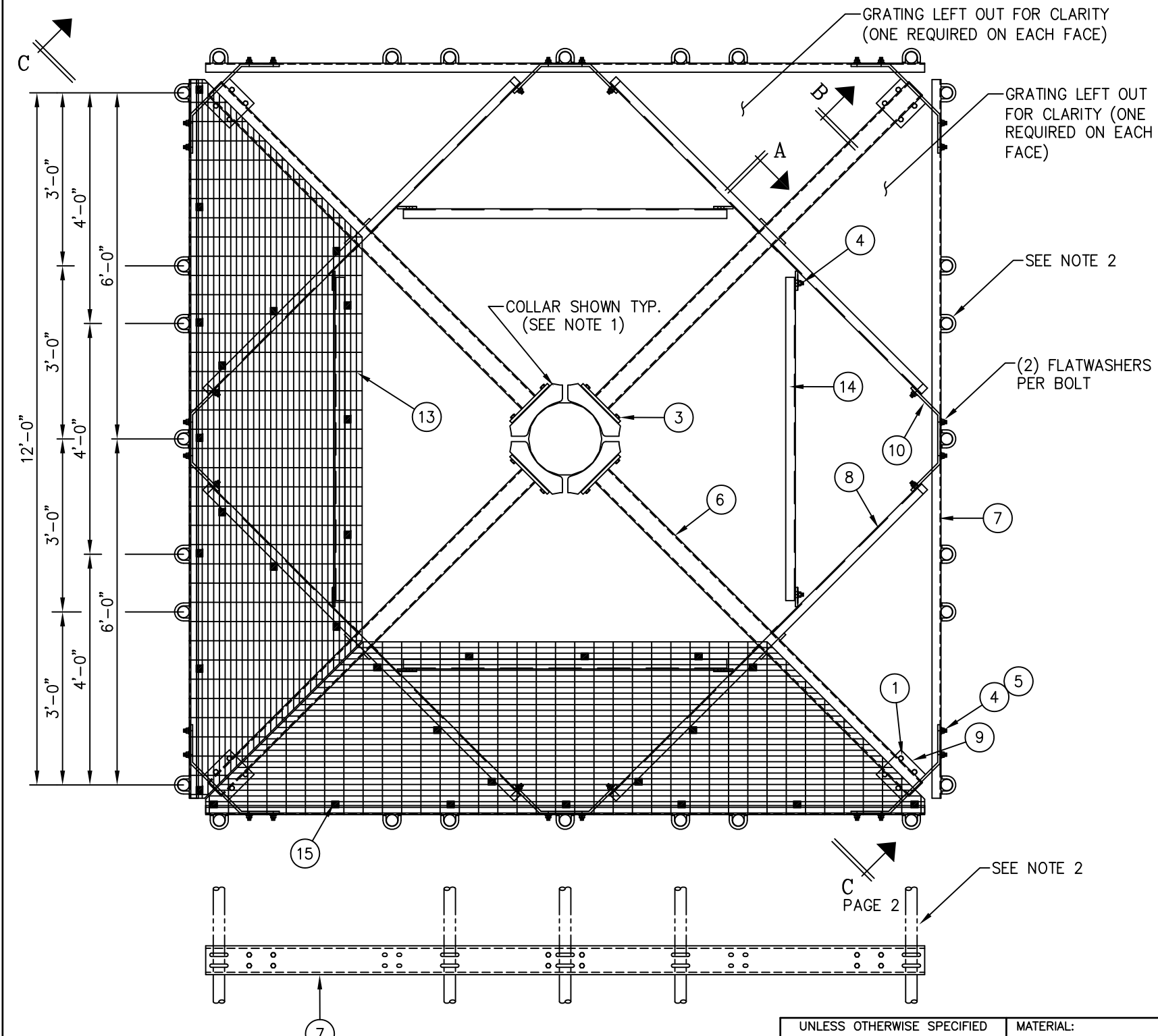




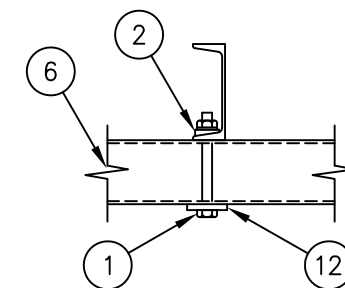
**C10109002 LOW PROFILE PLATFORM**

(1)	CK00042	HARDWARE KIT	63.4#
(1)		MISC. ITEMS AND HARDWARE LIST	2018.7#
			<b>TOTAL WEIGHT 2082.1#</b>

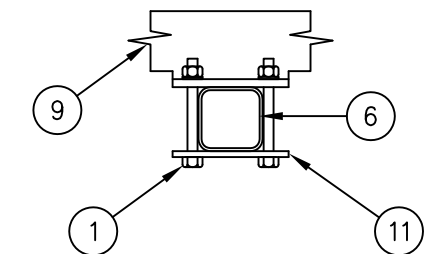


CK00042 HARDWARE KIT				
ITEM	QTY.	PART. NO.	DESCRIPTION	WEIGHT
1.	24	C40026037	BOLT ASSEMBLY, 5/8 X 6 A325	17.3#
2.	8	C40045002	BEVEL WASHER, 5/8	1.3#
3.	16	C40026025	BOLT ASSEMBLY, 5/8 X 2 1/2 A325	7.5#
4.	72	C40026023	BOLT ASSEMBLY, 5/8 X 2 A325	30.3#
5.	88	C40031003	FLAT WASHER, 5/8	7.0#
<b>TOTAL WEIGHT</b>				<b>63.4#</b>

MISC. ITEMS AND HARDWARE LIST				
ITEM	QTY.	PART. NO.	DESCRIPTION	WEIGHT
6.	4	CW00236	PLATFORM ARM WELDMENT	386.0#
7.	4	CS00758	FLOOR CHANNEL	425.5#
8.	4	CW00237	FLOOR CHANNEL	279.6#
9.	4	CS00759	END PLATE	109.6#
10.	4	CS00760	TIE PLATE	68.4#
11.	4	CS00023	BACK-UP PLATE	22.4#
12.	4	CS00024	BACK-UP PLATE	8.0#
13.	4	CS00761	PLATFORM GRATING	634.8#
14.	4	CS00762	ANGLE, GRATING SUPPORT	71.6#
15.	64	C40022001	GRATING CLAMP	12.8#
<b>TOTAL WEIGHT</b>				<b>2018.7#</b>



**SECTION A-A**



**SECTION B-B**

- NOTES:**
1. COLLAR MOUNTS MUST BE PURCHASED SEPARATELY.
  2. MOUNTING PIPES AND U-BOLTS MUST BE PURCHASED SEPARATELY.
  3. PLATFORM WILL SUPPORT 3, 4, OR 5 MOUNTING PIPE ASSEMBLYS PER FACE.
  4. C10851204 PLATFORM REINFORCEMENT KIT MUST BE PURCHASED SEPARATELY. SEE PAGE 2 FOR INSTALLATION.

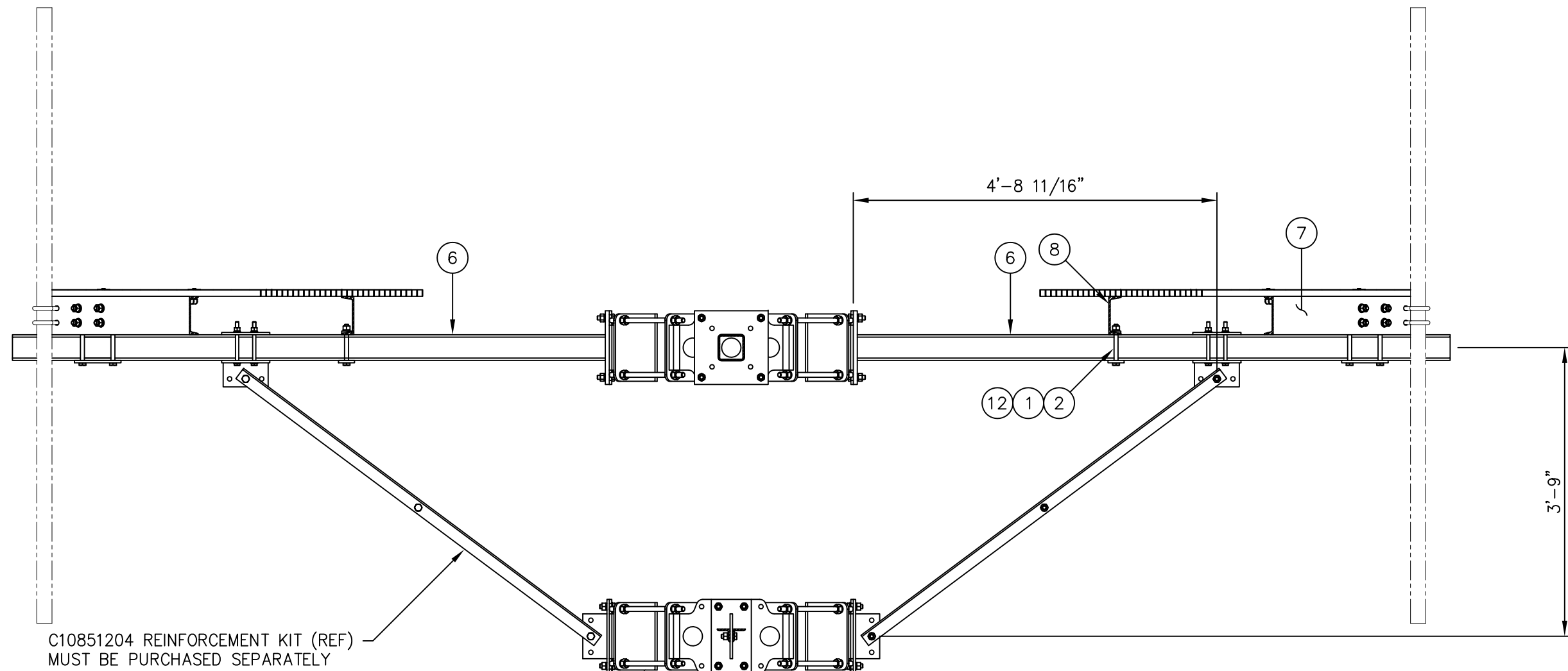
UNLESS OTHERWISE SPECIFIED ALL DIMENSIONS INCLUDE FINISHES AND ARE IN INCHES		MATERIAL:	
TOLERANCES: FRACTIONS ± 1/16" ANGLES ± 1/2 DEG. DECIMALS ± .010"		TOLERANCES DO NOT APPLY TO RAW MATERIAL	
REV	DATE	DRW/CHK	DESCRIPTION
1	03/10/17	WRF/KLE	ADDED PAGE 2

**Sabre Industries™**  
Towers and Poles

**CONFIDENTIAL**

This document and the information contained herein is the confidential trade secret property of Sabre Communications Corporation ("Sabre") and must not be reproduced, copied or used, in whole or in part, for any purpose without the prior written consent of Sabre.  
© 2014 Sabre Communications Corporation. All rights reserved.

<b>LOW PROFILE SQ. PLATFORM</b> (FITS 12" TO 40" O.D. MONOPOLES) 12'-0" MAXIMUM ANTENNA SEPARATION			
DATE	6/14/04	SIZE	B
DRAWN BY	MLC	DRAWING NO.	C10109002
CHECKED BY	MC	SCALE	None
		PAGE	1 OF 2



C10851204 REINFORCEMENT KIT (REF)  
MUST BE PURCHASED SEPARATELY

SEE NOTE 1

SECTION C-C

UNLESS OTHERWISE SPECIFIED  
ALL DIMENSIONS INCLUDE  
FINISHES AND ARE IN INCHES  
TOLERANCES: FRACTIONS  $\pm 1/16''$   
ANGLES  $\pm 1/2$  DEG.  
DECIMALS  $\pm .010''$

MATERIAL:  
TOLERANCES DO NOT APPLY  
TO RAW MATERIAL



LOW PROFILE SQ. PLATFORM  
(FITS 12" TO 40" O.D. MONOPOLES)  
12'-0" MAXIMUM ANTENNA SEPARATION

REV	DATE	DRW	CHK	DESCRIPTION
1	03/10/17	WRF	KLE	ADDED PAGE 2

**CONFIDENTIAL**  
This document and the information contained herein is the confidential trade secret property of Sabre Communications Corporation ("Sabre") and must not be reproduced, copied or used, in whole or in part, for any purpose without the prior written consent of Sabre.  
© 2014 Sabre Communications Corporation. All rights reserved.

DATE	6/14/04	SIZE B	DRAWING NO. C10109002	REV 1
DRAWN BY	MLC			
CHECKED BY	MC	SCALE None	PAGE 2 OF 2	