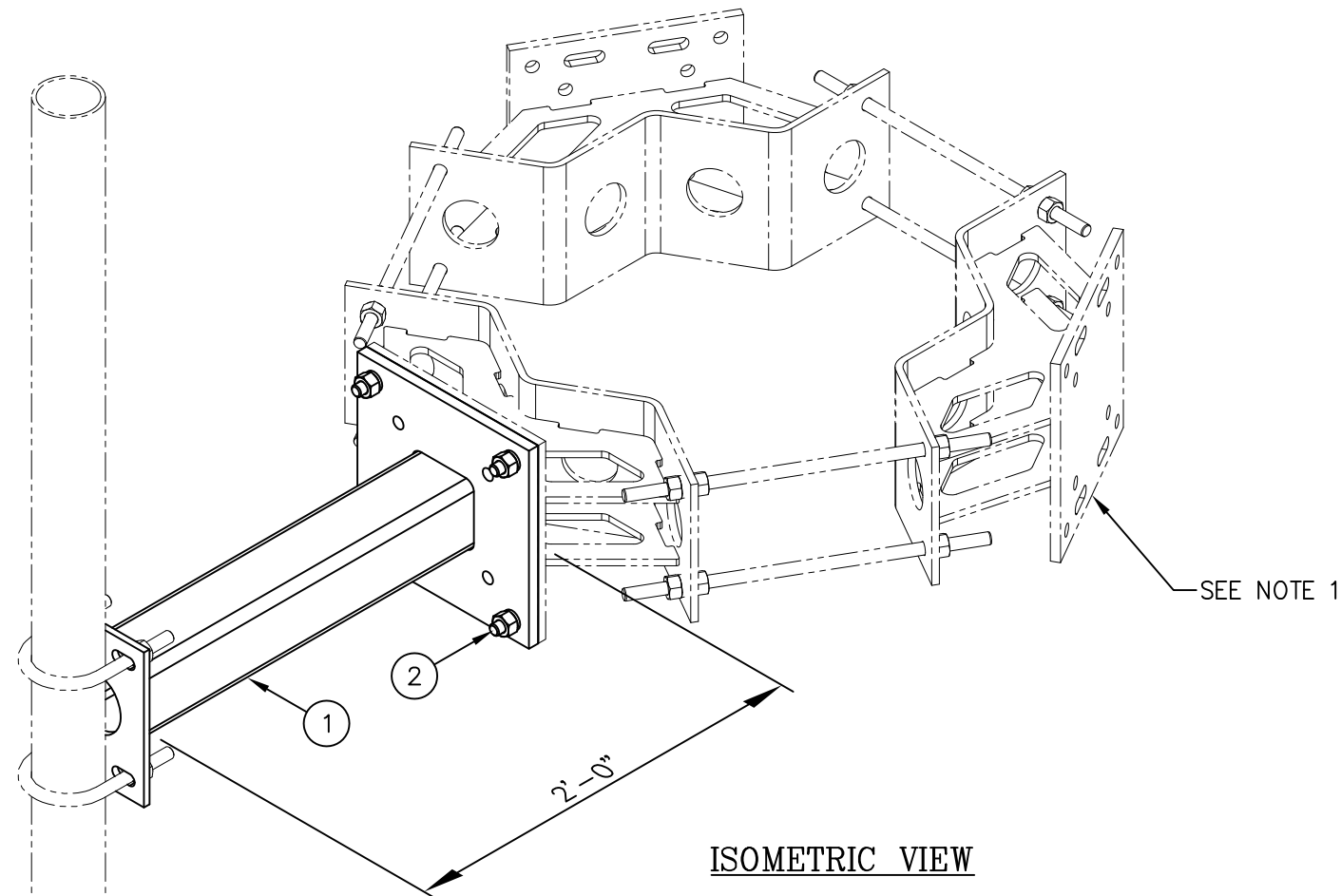




C10114002 2'-0 STANDOFF ARM

ITEM	QTY.	PART NO.	DESCRIPTION	WEIGHT
1.	1	CW00018	WELDMENT, 2'-0 STANDOFF ARM	51
2.	4	C40026025	BOLT ASSEMBLY, 5/8 ϕ X 2 1/2 A325	2
TOTAL WEIGHT				53



2 3/8" - 4" O.D. MOUNTING PIPE
SEE NOTE 2

NOTES:

1. TRI-COLLAR MOUNTS ARE SHOWN TYPICAL AND MUST BE PURCHASED SEPARATELY.
2. 2 3/8" TO 4" O.D. MOUNTING PIPE & U-BOLTS MUST BE PURCHASED SEPARATELY.
3. QUANTITIES SHOWN ARE FOR ONE (1) STANDOFF ARM.

UNLESS OTHERWISE SPECIFIED
ALL DIMENSIONS INCLUDE
FINISHES AND ARE IN INCHES
TOLERANCES: FRACTIONS $\pm 1/16"$
ANGLES $\pm 1/2$ DEG.
DECIMALS $\pm .010"$

MATERIAL:

TOLERANCES DO NOT APPLY
TO RAW MATERIAL



2'-0 STANDOFF ARM

CONFIDENTIAL
This document and the information
contained herein is the confidential trade
secret property of Sabre Communications
Corporation ("Sabre") and must not be
reproduced, copied or used, in whole or in
part, for any purpose without the prior
written consent of Sabre.
© 2014 Sabre Communications Corporation.
All rights reserved.

REV	DATE	DRW/CHK	DESCRIPTION

DATE	07/11/06	SIZE B	DRAWING NO. C10114002	REV 0
DRAWN BY	WRF			
CHECKED BY	WMN	SCALE None	PAGE 1 OF 1	