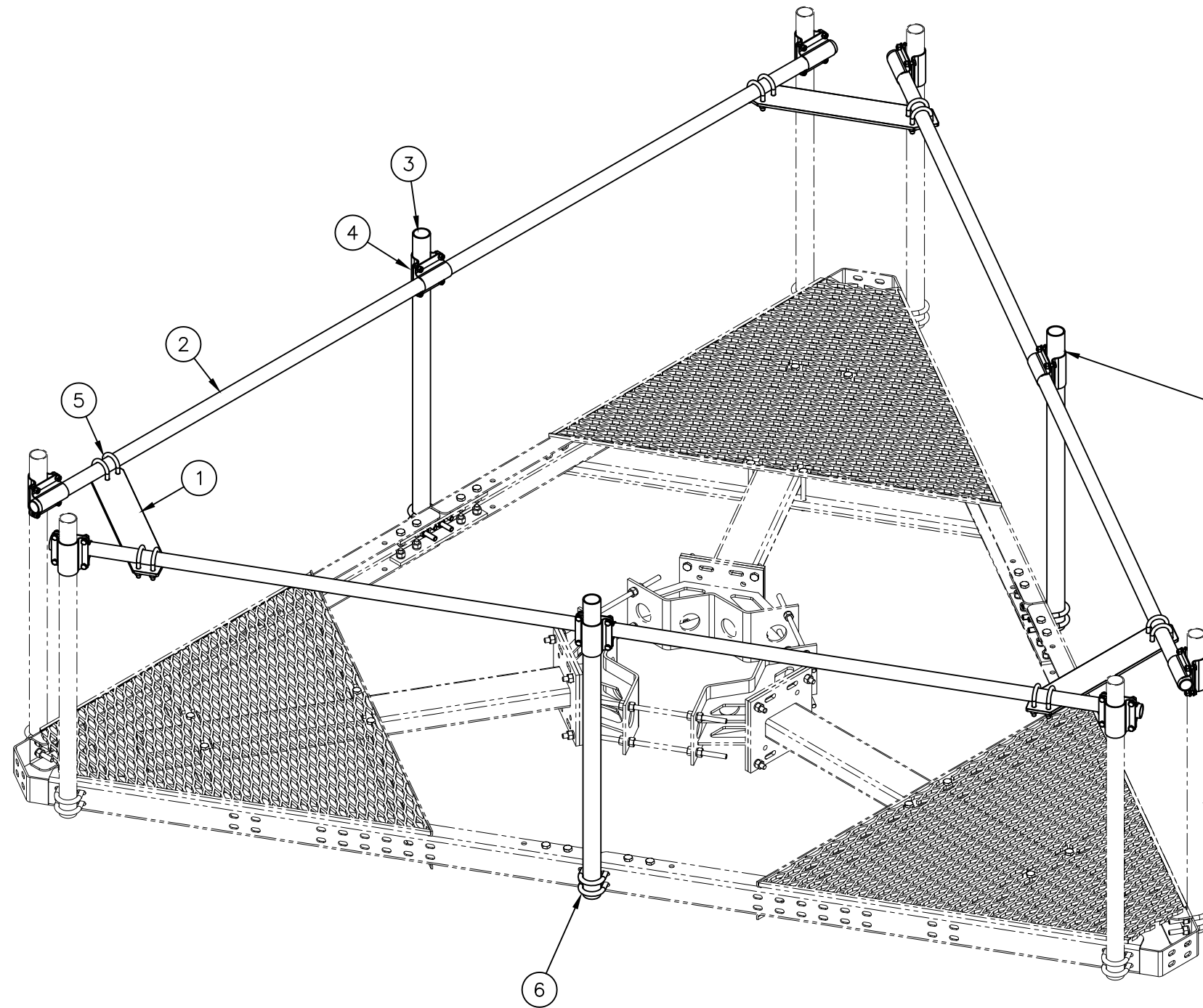




C10116813 12' LOW PROFILE PLATFORM HANDRAIL KIT

ITEM	QTY.	PART NO.	DESCRIPTION	WEIGHT
1.	3	CS01533	PLATE, HANDRAIL SUPPORT	38#
2.	3	CS02229	PIPE, 1.90" O.D. (.145" WALL) X 12'-6"	106#
3.	3	C10981204	PIPE, 2 3/8" O.D. (.134" WALL) X 4'-0"	38#
4.	12	C40204100	CROSSOVER CLAMP (1.90" O.D. TO 2 3/8" O.D.)	48#
5.	12	C40034060	U-BOLT ASSEMBLY, 1/2 Ø X 2 9/16" C/C	9#
6.	6	C40034023	U-BOLT ASSEMBLY, 5/8 Ø X 3 1/16" C/C	10#
TOTAL WEIGHT				249#



THIS PIPE MAY BE REPLACED WITH A LONGER PIPE IF NEEDED FOR ANTENNA MOUNTING (NOT REQ'D WITH 3 OR MORE MOUNTING PIPES PER FACE)

THERE ARE ENOUGH CLAMPS SUPPLIED TO ACCOMMODATE (12) ANTENNA MOUNTING PIPES - (4) PER FACE

ANTENNA MOUNTING PIPES TO BE PURCHASED SEPARATELY

ISOMETRIC VIEW

UNLESS OTHERWISE SPECIFIED ALL DIMENSIONS INCLUDE FINISHES AND ARE IN INCHES
 TOLERANCES: FRACTIONS ± 1/16"
 ANGLES ± 1/2 DEG.
 DECIMALS ± .010"

MATERIAL:
 TOLERANCES DO NOT APPLY TO RAW MATERIAL



12' LOW PROFILE PLATFORM HANDRAIL KIT (12'-0" MAXIMUM ANTENNA SEPARATION)

REV	DATE	DRW	CHK	DESCRIPTION
5	6/27/11	DLW	DEL	ITEM 2 WAS C10919150 (CHG PER REQUEST)
4	3/4/09	MLC	MC	REVISED QUANTITY OR ITEM 4
3	1/15/09	MLC	MC	REVISED PIPE (ITEM 3)
2	6/5/08	MLC	MC	REVISED ITEM 4
1	10/11/07	MLC	MC	REVISED PLATFORM DESIGN

CONFIDENTIAL
 This document and the information contained herein is the confidential trade secret property of Sabre Communications Corporation ("Sabre") and must not be reproduced, copied or used, in whole or in part, for any purpose without the prior written consent of Sabre.
 © 2014 Sabre Communications Corporation. All rights reserved.

DATE	7/31/07	SIZE	DRAWING NO.	REV
DRAWN BY	MLC	B	C10116813	5
CHECKED BY	MC		SCALE	PAGE
			None	1 OF 1