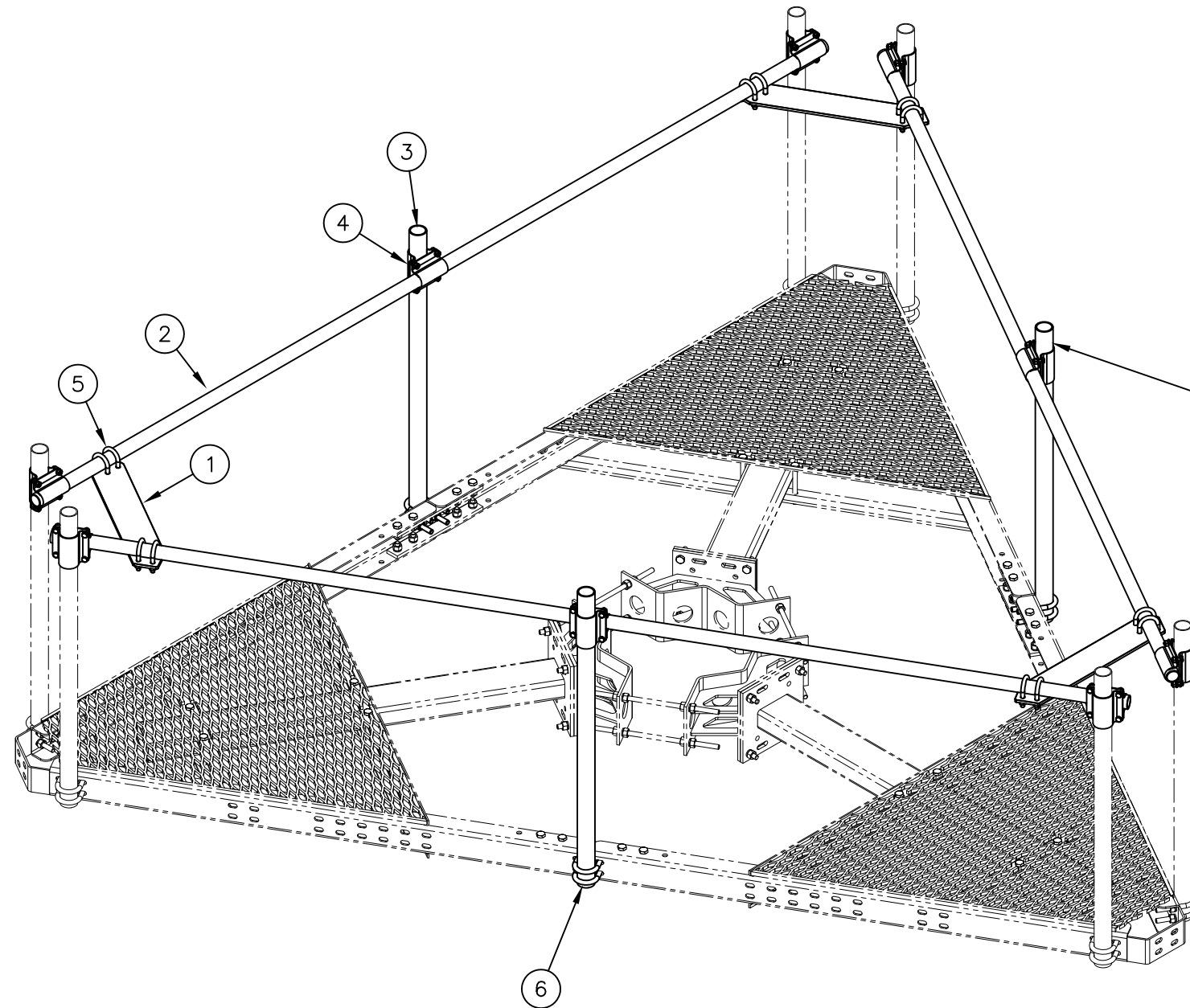




C10116814 14' LOW PROFILE PLATFORM HANDRAIL KIT

ITEM	QTY.	PART NO.	DESCRIPTION	WEIGHT
1.	3	CS01533	PLATE, HANDRAIL SUPPORT	38#
2.	3	C10919174	PIPE, 1.90" O.D. (.145" WALL) X 14'-6"	123#
3.	3	C10981204	PIPE, 2 3/8" O.D. (.134" WALL) X 4'-0"	38#
4.	12	C40204100	CROSSOVER CLAMP (1.90" O.D. TO 2 3/8" O.D.)	48#
5.	12	C40034060	U-BOLT ASSEMBLY, 1/2 ϕ X 2 9/16" C/C	9#
6.	6	C40034023	U-BOLT ASSEMBLY, 5/8 ϕ X 3 1/16" C/C	10#
TOTAL WEIGHT				266#



THIS PIPE MAY BE REPLACED WITH A LONGER PIPE IF NEEDED FOR ANTENNA MOUNTING (NOT REQ'D WITH 3 OR MORE MOUNTING PIPES PER FACE)

THERE ARE ENOUGH CLAMPS SUPPLIED TO ACCOMMODATE (12) ANTENNA MOUNTING PIPES - (4) PER FACE

ANTENNA MOUNTING PIPES TO BE PURCHASED SEPARATELY

ISOMETRIC VIEW

UNLESS OTHERWISE SPECIFIED ALL DIMENSIONS INCLUDE FINISHES AND ARE IN INCHES		MATERIAL:	
TOLERANCES: FRACTIONS $\pm 1/16"$ ANGLES $\pm 1/2$ DEG. DECIMALS $\pm .010"$		TOLERANCES DO NOT APPLY TO RAW MATERIAL	
REV	DATE	DRW/CHK	DESCRIPTION
4	3/4/09	MLC/MC	REVISED QUANTITY OF ITEM 4.
3	1/15/09	MLC/MC	REVISED PIPE (ITEM 3)
2	6/5/08	MLC/MC	REVISED ITEM 4
1	10/11/07	MLC/MC	REVISED PLATFORM DESIGN



CONFIDENTIAL
This document and the information contained herein is the confidential trade secret property of Sabre Communications Corporation ("Sabre") and must not be reproduced, copied or used, in whole or in part, for any purpose without the prior written consent of Sabre.
© 2014 Sabre Communications Corporation. All rights reserved.

14' LOW PROFILE PLATFORM HANDRAIL KIT
(14'-0" MAXIMUM ANTENNA SEPARATION)

DATE	7/31/07	SIZE	B	DRAWING NO.	C10116814	REV	4
DRAWN BY	MLC	SCALE	None	PAGE	1 OF 1		
CHECKED BY	MC						