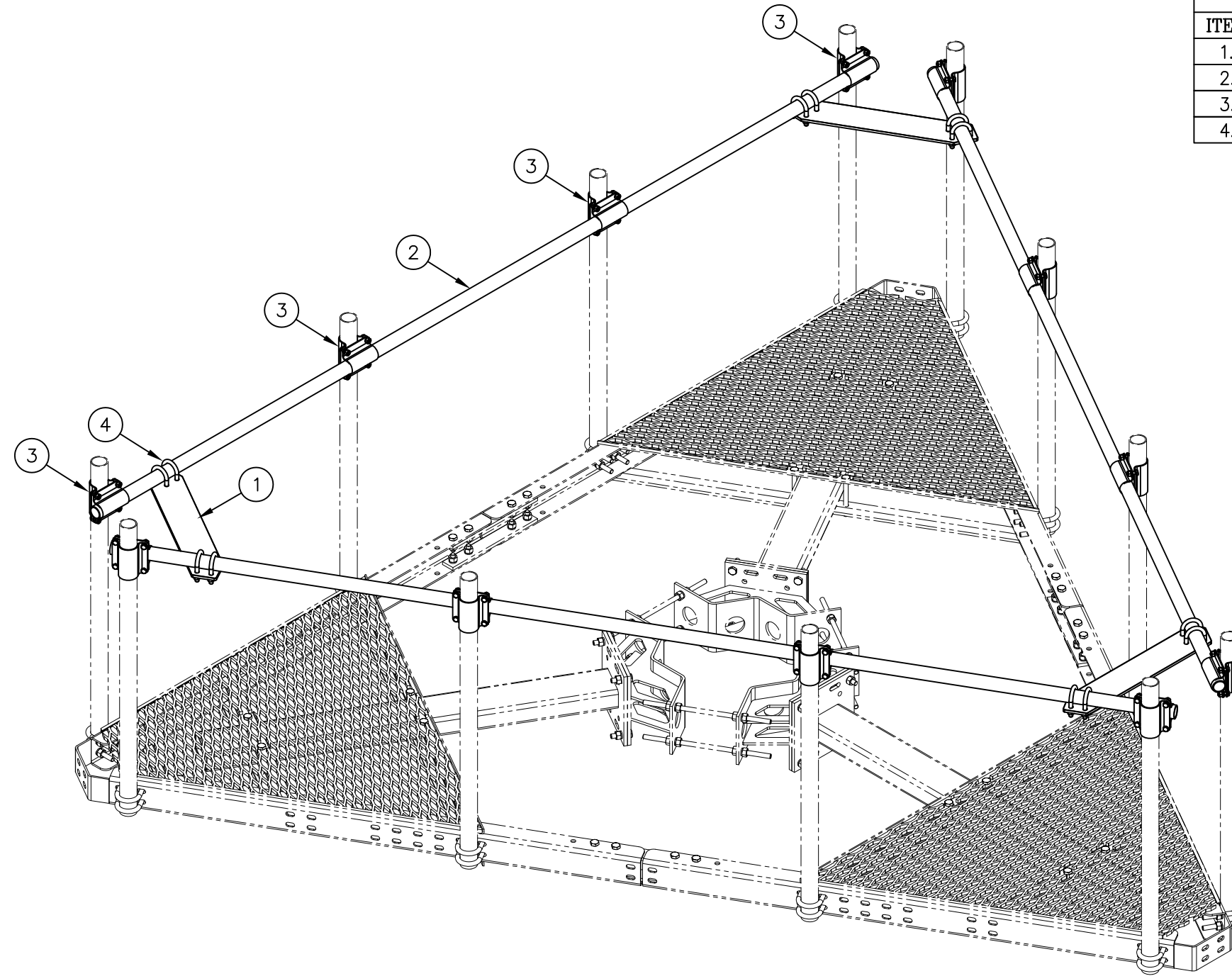




C10116912 12' LOW PROFILE PLATFORM HANDRAIL KIT

ITEM	QTY.	PART NO.	DESCRIPTION	WEIGHT
1.	3	CS01533	PLATE, HANDRAIL SUPPORT	38
2.	3	CS02229	PIPE, 1.90" O.D. (.145" WALL) X 12'-6"	106
3.	12	C40204100	CROSSOVER CLAMP (1.90" O.D. TO 2 3/8" O.D.)	48
4.	12	C40034060	U-BOLT ASSEMBLY, 1/2 Ø X 2 9/16" C/C	9
TOTAL WEIGHT				201



THERE ARE ENOUGH CLAMPS SUPPLIED TO ACCOMMODATE (12) ANTENNA MOUNTING PIPES - (4) PER FACE

ANTENNA MOUNTING PIPES TO BE PURCHASED SEPARATELY

ISOMETRIC VIEW

UNLESS OTHERWISE SPECIFIED  
ALL DIMENSIONS INCLUDE  
FINISHES AND ARE IN INCHES  
TOLERANCES: FRACTIONS ± 1/16"  
ANGLES ± 1/2 DEG.  
DECIMALS ± .010"

MATERIAL:  
TOLERANCES DO NOT APPLY  
TO RAW MATERIAL



12' LOW PROFILE PLATFORM HANDRAIL KIT  
(12'-0" MAXIMUM ANTENNA SEPARATION)  
NO ANTENNA MOUNTING PIPES

REV	DATE	DRW/CHK	DESCRIPTION

**CONFIDENTIAL**  
This document and the information  
contained herein is the confidential trade  
secret property of Sabre Communications  
Corporation ("Sabre") and must not be  
reproduced, copied or used, in whole or in  
part, for any purpose without the prior  
written consent of Sabre.  
© 2014 Sabre Communications Corporation.  
All rights reserved.

DATE	12/08/14	SIZE	DRAWING NO.	REV
DRAWN BY	WRF	B	C10116912	0
CHECKED BY	DLW	SCALE	PAGE	
		None	1 OF 1	