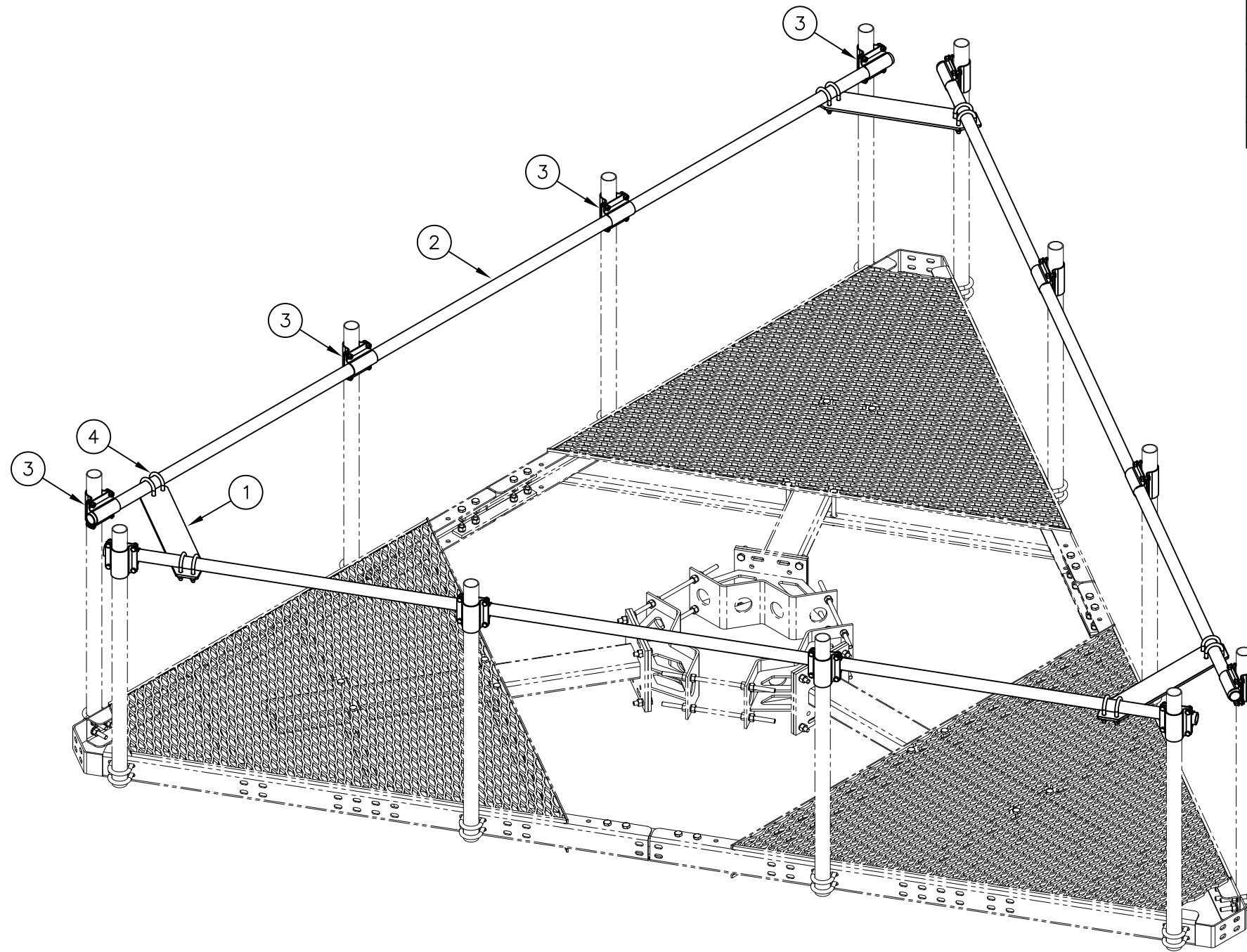




C10116914 14' LOW PROFILE PLATFORM HANDRAIL KIT

ITEM	QTY.	PART NO.	DESCRIPTION	WEIGHT
1.	3	CS01533	PLATE, HANDRAIL SUPPORT	38
2.	3	C10919174	PIPE, 1.90" O.D. (.145" WALL) X 14'-6"	123
3.	12	C40204100	CROSSOVER CLAMP (1.90" O.D. TO 2 3/8" O.D.)	48
4.	12	C40034060	U-BOLT ASSEMBLY, 1/2 Ø X 2 9/16" C/C	9
TOTAL WEIGHT				218



ISOMETRIC VIEW

THERE ARE ENOUGH CLAMPS SUPPLIED TO ACCOMMODATE (12) ANTENNA MOUNTING PIPES - (4) PER FACE

ANTENNA MOUNTING PIPES TO BE PURCHASED SEPARATELY

UNLESS OTHERWISE SPECIFIED
ALL DIMENSIONS INCLUDE
FINISHES AND ARE IN INCHES
TOLERANCES: FRACTIONS ± 1/16"
ANGLES ± 1/2 DEG.
DECIMALS ± .010"

MATERIAL:
TOLERANCES DO NOT APPLY
TO RAW MATERIAL



14' LOW PROFILE PLATFORM HANDRAIL KIT
(14'-0" MAXIMUM ANTENNA SEPARATION)
NO ANTENNA MOUNTING PIPES

REV	DATE	DRW/CHK	DESCRIPTION

CONFIDENTIAL
This document and the information
contained herein is the confidential trade
secret property of Sabre Communications
Corporation ("Sabre") and must not be
reproduced, copied or used, in whole or in
part, for any purpose without the prior
written consent of Sabre.
© 2014 Sabre Communications Corporation.
All rights reserved.

DATE	12/08/14	SIZE	B	DRAWING NO.	C10116914	REV	0
DRAWN BY	WRF	SCALE	None	PAGE	1 OF 1		
CHECKED BY	DLW						