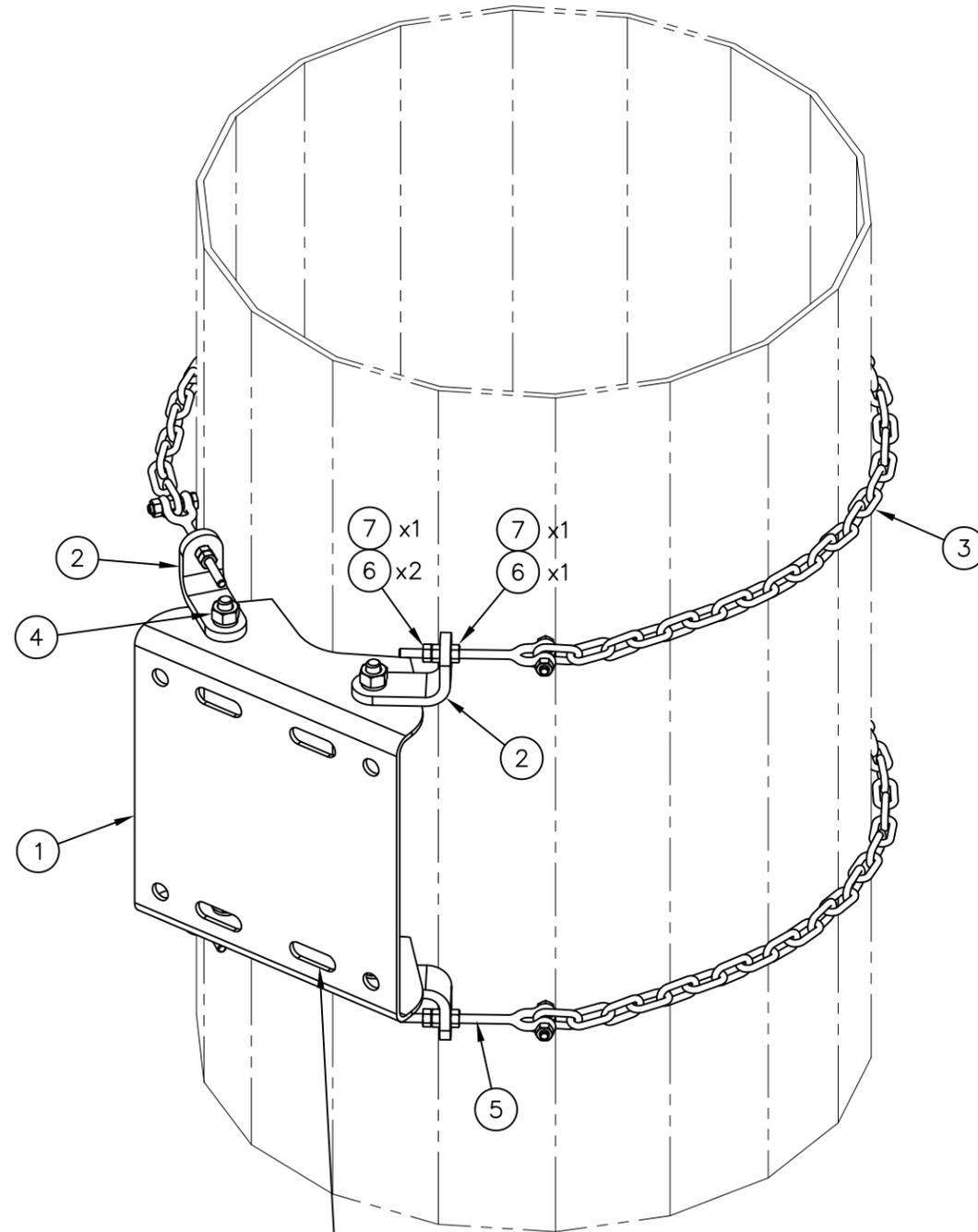




C10120301 CHAIN MOUNT (SINGLE SECTOR)

ITEM	QTY.	PART NO.	DESCRIPTION	WEIGHT
1.	1	CS01560	PLATE, CHAIN MOUNT	11
2.	4	CS01561	PLATE, CHAIN MOUNT	4
3.	2	C40998115	STRAIGHT LINK CHAIN, 5/16 ϕ X 9'-0" (WLL = 1900 lbs.)	18
4.	4	C40026022	BOLT ASSEMBLY, 5/8 ϕ X 1 3/4	2
5.	4	C40998116	JAW TURNBUCKLE END, 1/2 X 6 RH THREADS	2
6.	12	C40027002	HEX NUT, 1/2 A563	1
7.	8	C40030011	LOCKWASHER, 1/2 ϕ	1
TOTAL WEIGHT				39



EACH BRACKET WILL ACCOMODATE A 2 3/8"-4 1/2" O.D. MOUNTING PIPE (MUST BE PURCHASED SEPARATELY)

ISOMETRIC VIEW

UNLESS OTHERWISE SPECIFIED ALL DIMENSIONS INCLUDE FINISHES AND ARE IN INCHES	MATERIAL:
TOLERANCES: FRACTIONS $\pm 1/16"$ ANGLES $\pm 1/2$ DEG. DECIMALS $\pm .010"$	TOLERANCES DO NOT APPLY TO RAW MATERIAL



CHAIN MOUNT - SINGLE SECTOR
(FITS A 8"-36" MONOPOLE)

REV	DATE	DRW	CHK	DESCRIPTION
2	6/18/15	KLE	EK	REVISED MINIMUM FIT TO 8"
1	10/19/10	MLC	MC	REVISED QTY OF ITEM 6 (WAS 8)

CONFIDENTIAL
This document and the information contained herein is the confidential trade secret property of Sabre Communications Corporation ("Sabre") and must not be reproduced, copied or used, in whole or in part, for any purpose without the prior written consent of Sabre.
© 2014 Sabre Communications Corporation. All rights reserved.

DATE	9/20/07	SIZE	B	DRAWING NO.	C10120301	REV	2
DRAWN BY	MLC	CHECKED BY	MC	SCALE	None	PAGE	1 OF 1