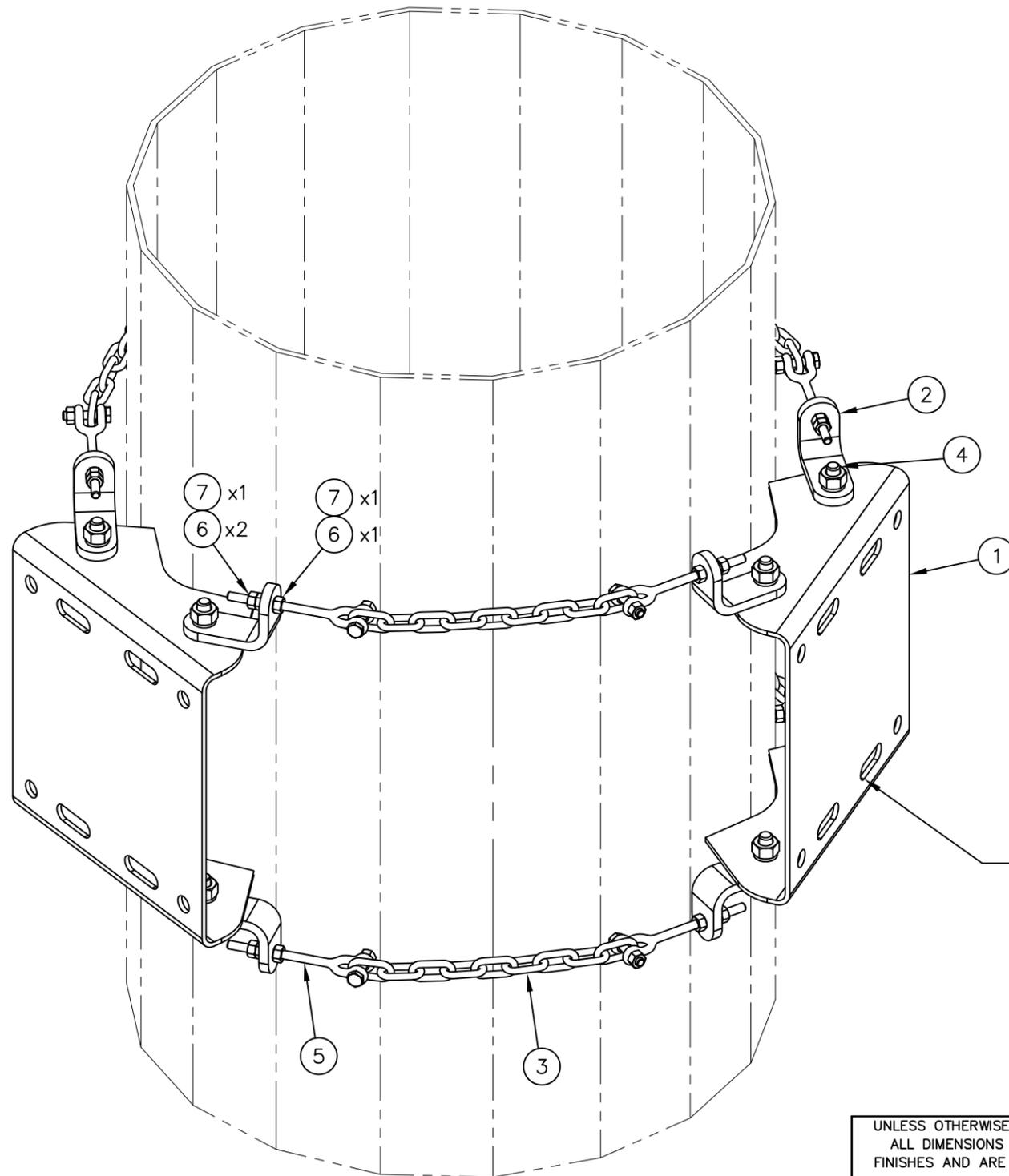




C10120303 CHAIN MOUNT (TRI-SECTOR)

ITEM	QTY.	PART NO.	DESCRIPTION	WEIGHT
1.	3	CS01560	PLATE, CHAIN MOUNT	34
2.	12	CS01561	PLATE, CHAIN MOUNT	13
3.	6	C40998118	STRAIGHT LINK CHAIN, 5/16 ϕ X 3'-0" (WLL = 1900 lbs.)	18
4.	12	C40026022	BOLT ASSEMBLY, 5/8 ϕ X 1 3/4	5
5.	12	C40998116	JAW TURNBUCKLE END, 1/2 X 6 RH THREADS	7
6.	36	C40027002	HEX NUT, 1/2 A563	2
7.	24	C40030011	LOCKWASHER, 1/2 ϕ	1
TOTAL WEIGHT				80



EACH BRACKET WILL ACCOMODATE
A 2 3/8"-4 1/2" O.D. MOUNTING PIPE
(MUST BE PURCHASED SEPARATELY)

ISOMETRIC VIEW

UNLESS OTHERWISE SPECIFIED ALL DIMENSIONS INCLUDE FINISHES AND ARE IN INCHES		MATERIAL:	
TOLERANCES: FRACTIONS $\pm 1/16"$ ANGLES $\pm 1/2$ DEG. DECIMALS $\pm .010"$		TOLERANCES DO NOT APPLY TO RAW MATERIAL	
REV	DATE	DRW	CHK
2	6/18/15	KLE	EK
1	11/23/10	WRF	DLW
DESCRIPTION			

Sabre Industries™
Towers and Poles

CONFIDENTIAL

This document and the information contained herein is the confidential trade secret property of Sabre Communications Corporation ("Sabre") and must not be reproduced, copied or used, in whole or in part, for any purpose without the prior written consent of Sabre.

© 2014 Sabre Communications Corporation. All rights reserved.

CHAIN MOUNT - TRI SECTOR (FITS A 24"-36" MONOPOLE)			
DATE	9/20/07	SIZE	B
DRAWN BY	MLC	DRAWING NO.	C10120303
CHECKED BY	MC	SCALE	None
		REV	2
		PAGE	1 OF 1