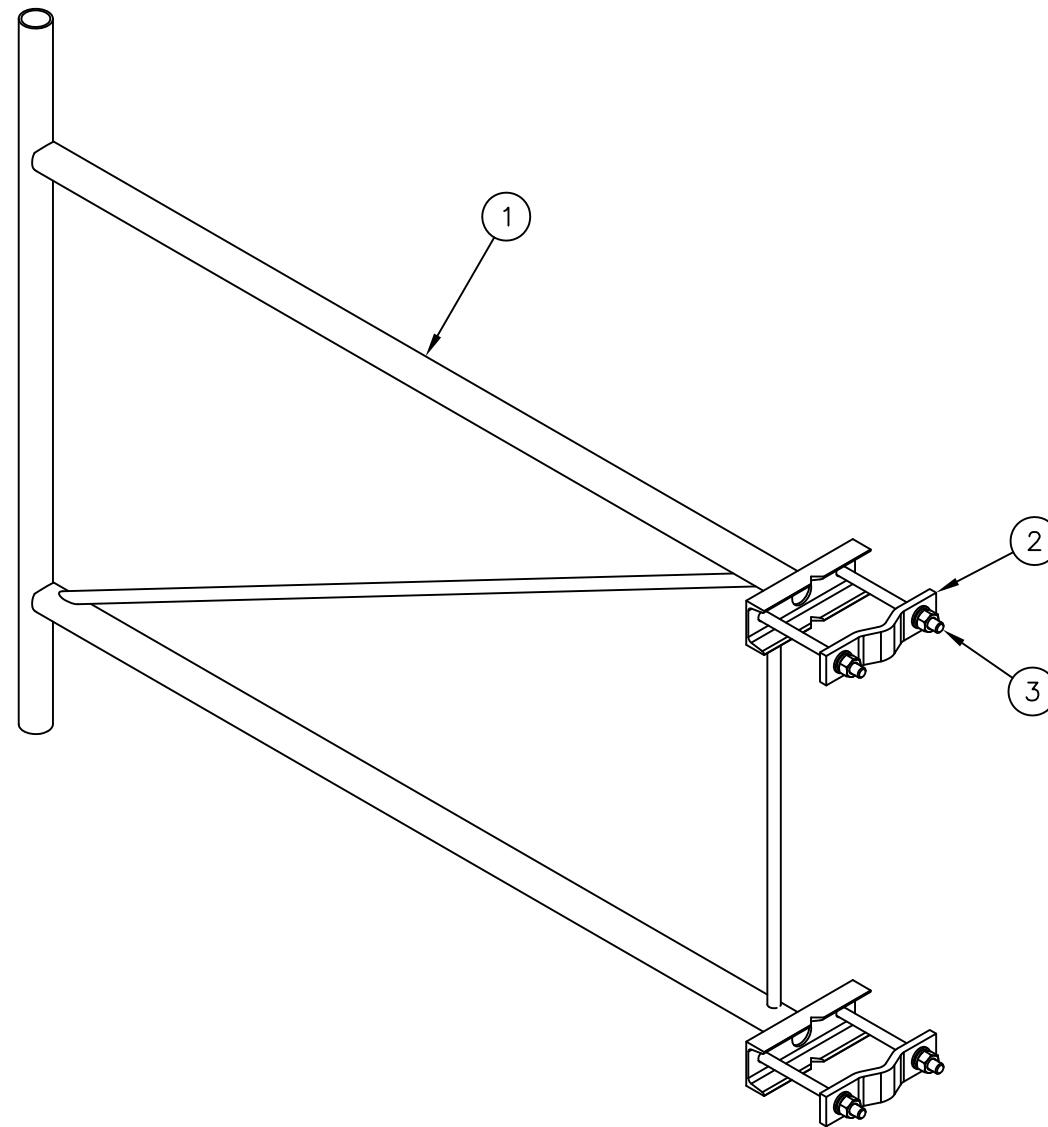




LIST OF MATERIAL

ITEM	QTY.	PART NO.	DESCRIPTION	WEIGHT
1.	1	CW00877	WELDMENT, 5' STANDOFF	57
2.	2	CS00144	2 HOLE PIPE ADAPTER CLAMP 1 1/2" TO 5" O.D.	5
3.	4	C40140004	BOLT ASSEMBLY, 5/8 ø X 8 A307 FT W/ N, LW, FW	4
			TOTAL WEIGHT	66



UNLESS OTHERWISE SPECIFIED
ALL DIMENSIONS INCLUDE
FINISHES AND ARE IN INCHES

TOLERANCES: FRACTIONS ± 1/16"
ANGLES ± 1/2 DEG.
DECIMALS ± .010"

MATERIAL:

TOLERANCES DO NOT APPLY
TO RAW MATERIAL



CONFIDENTIAL
This document and the information
contained herein is the confidential trade
secret property of Sabre Communications
Corporation ("Sabre") and must not be
reproduced, copied or used, in whole or in
part, for any purpose without the prior
written consent of Sabre.
© 2010 Sabre Communications Corporation.
All rights reserved.

ASSEMBLY, 5' STANDOFF
(1 1/4"ø - 5"ø LEGS)

REV	DATE	DRW	CHK	DESCRIPTION
1	1/25/10	WMN	WN	REDRAWN IN AUTOCAD

DATE	11/4/09	SIZE	B	DRAWING NO.	C10151204	REV	1
DRAWN BY	JV	CHECKED BY	WMN	SCALE	None	PAGE	1 OF 1