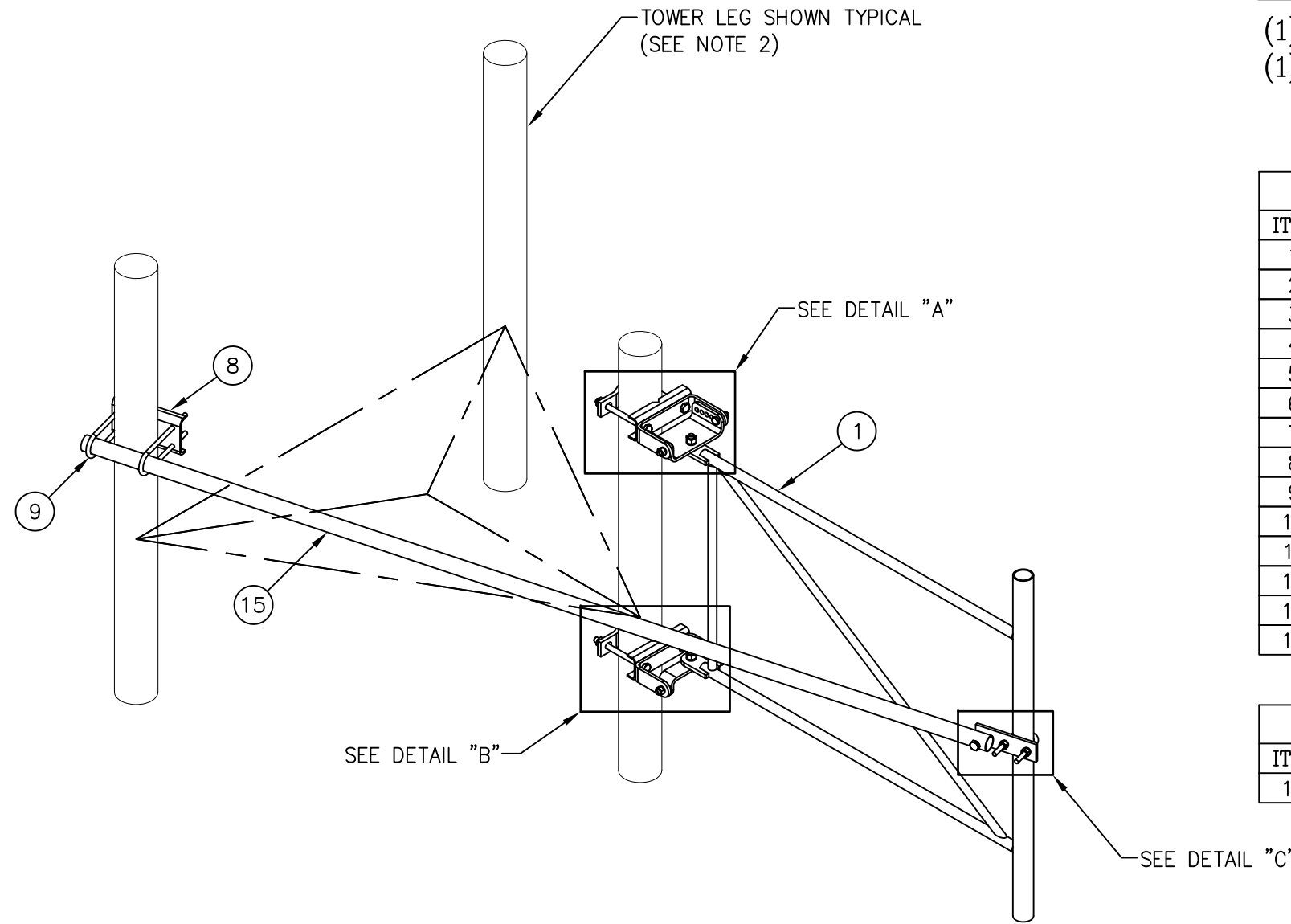




C10151905 5' SIDEARM W/TIEBACK

(1)	CK00118	5' SIDEARM KIT	119
(1)		MISCELLANEOUS MATERIAL	23
TOTAL WEIGHT			142



ISOMETRIC VIEW

CK00118 5' SIDEARM KIT				
ITEM	QTY.	PART NO.	DESCRIPTION	WEIGHT
1.	1	CW00871	WELDMENT, 5' SIDEARM	73
2.	2	CS02155	CHANNEL, LEG MOUNTING	5
3.	1	CS02156	PLATE, AZIMUTH ADJUSTMENT SIDEARM	6
4.	2	CS02157	PLATE, SIDEARM PIVOT	8
5.	1	CS02158	PLATE, SIDEARM PIVOT	3
6.	1	CS02159	FLAT, TIEBACK	2
7.	2	CS00144	2 HOLE PIPE ADAPTER CLAMP (1 1/2" TO 5" O.D.)	5
8.	1	CS01909	PLATE, TIEBACK SUPPORT	4
9.	2	C40034081	U-BOLT ASSEMBLY, 1/2" X 2 9/16 C-C	3
10.	1	C40034014	U-BOLT ASSEMBLY, 1/2" X 2 15/16 C-C	1
11.	4	C40140004	BOLT ASSEMBLY, 5/8 X 8 A307 (FULL THREAD)	6
12.	1	C40026029	BOLT ASSEMBLY, 5/8 X 3 1/2 A325	1
13.	2	C40026023	BOLT ASSEMBLY, 5/8 X 2 A325	1
14.	4	C40026004	BOLT ASSEMBLY, 1/2 X 1 3/4 A325	1
TOTAL WEIGHT				98

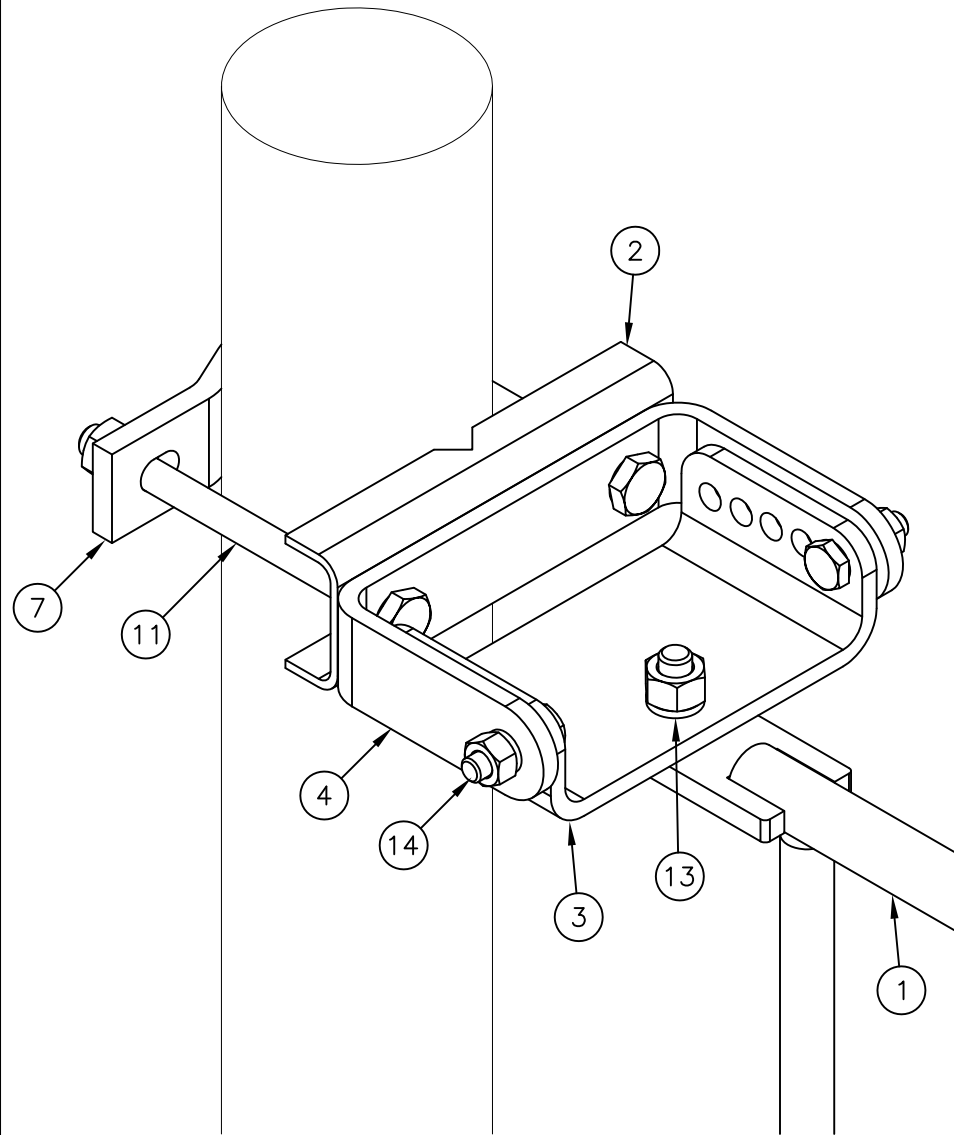
MISCELLANEOUS MATERIAL				
ITEM	QTY.	PART NO.	DESCRIPTION	WEIGHT
15.	1	CS01910	PIPE, TIEBACK	23
TOTAL WEIGHT				23

- NOTES:**
- QUANTITIES SHOWN IN LISTS OF MATERIAL ARE FOR ONE (1) SIDEARM ONLY.
  - THIS SIDEARM WILL MOUNT TO THE FOLLOWING:  
- 1 1/2"  $\phi$  TO 5"  $\phi$  ROUND LEG

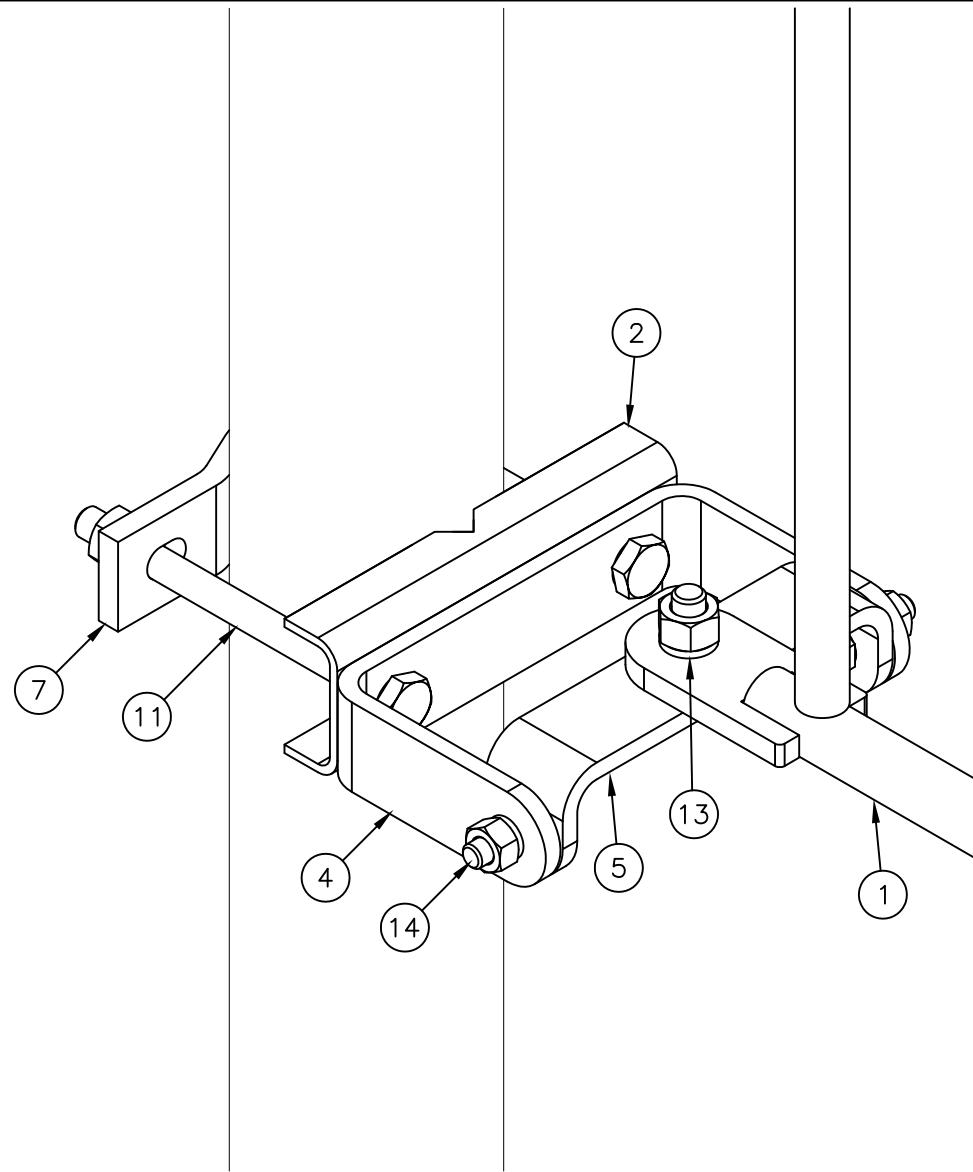
UNLESS OTHERWISE SPECIFIED ALL DIMENSIONS INCLUDE FINISHES AND ARE IN INCHES		MATERIAL:	
TOLERANCES: FRACTIONS $\pm 1/16"$ ANGLES $\pm 1/2$ DEG. DECIMALS $\pm .010"$		TOLERANCES DO NOT APPLY TO RAW MATERIAL	
REV	DATE	DRW	CHK
4	7/14/15	KLE	EK
3	4/5/10	MLC	MC
2	2/25/10	MLC	MC
1	1/28/10	MLC	MC

**CONFIDENTIAL**  
This document and the information contained herein is the confidential trade secret property of Sabre Communications Corporation ("Sabre") and must not be reproduced, copied or used, in whole or in part, for any purpose without the prior written consent of Sabre.  
© 2010 Sabre Communications Corporation. All rights reserved.

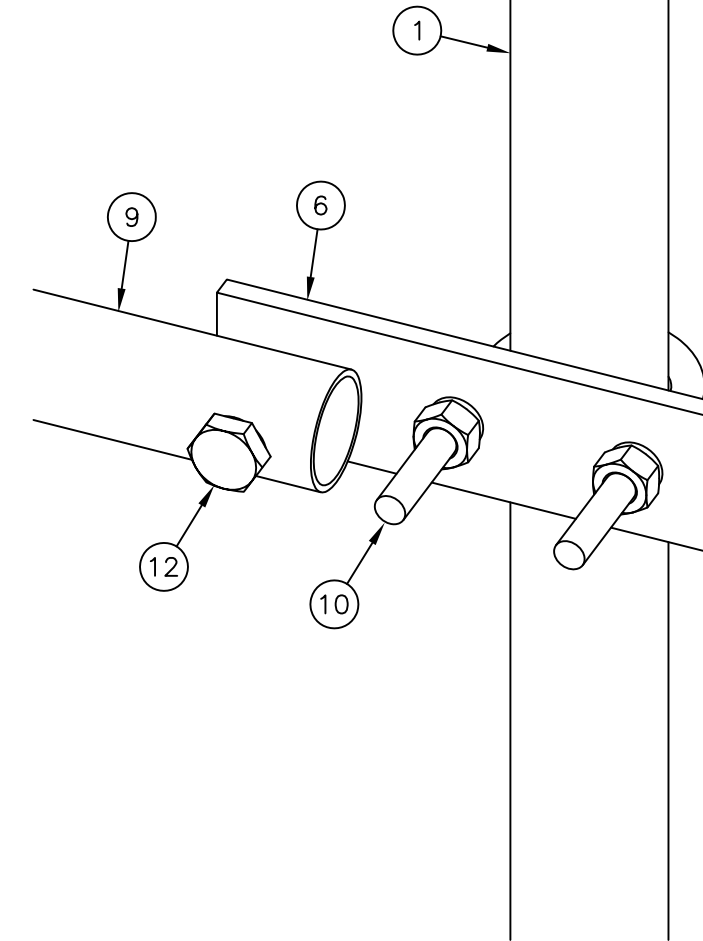
5' SIDEARM W/TIEBACK				
DATE	10/23/09	SIZE	B	REV
DRAWN BY	JV	DRAWING NO.	C10151905	4
CHECKED BY		SCALE	None	PAGE
				1 OF 2



DETAIL "A"



DETAIL "B"



DETAIL "C"

UNLESS OTHERWISE SPECIFIED  
ALL DIMENSIONS INCLUDE  
FINISHES AND ARE IN INCHES  
TOLERANCES: FRACTIONS  $\pm 1/16"$   
ANGLES  $\pm 1/2$  DEG.  
DECIMALS  $\pm .010"$

MATERIAL:

TOLERANCES DO NOT APPLY  
TO RAW MATERIAL



5' SIDEARM W/TIEBACK

REV	DATE	DRW	CHK	DESCRIPTION
4	7/14/15	KLE	EK	REVISED ITEM 3 (QTY. WAS 2)
3	4/5/10	MLC	MC	REVISED PART NUMBER OF ITEM 6
2	2/25/10	MLC	MC	ADDED KIT NUMBER
1	1/13/10	MLC	MC	REDRAWN IN AUTODAD

**CONFIDENTIAL**  
This document and the information  
contained herein is the confidential trade  
secret property of Sabre Communications  
Corporation ("Sabre") and must not be  
reproduced, copied or used, in whole or in  
part, for any purpose without the prior  
written consent of Sabre.  
© 2010 Sabre Communications Corporation.  
All rights reserved.

DATE	10/23/09	SIZE	B	DRAWING NO.	C10151905	REV	4
DRAWN BY	JV			SCALE	None	PAGE	2 OF 2
CHECKED BY							