

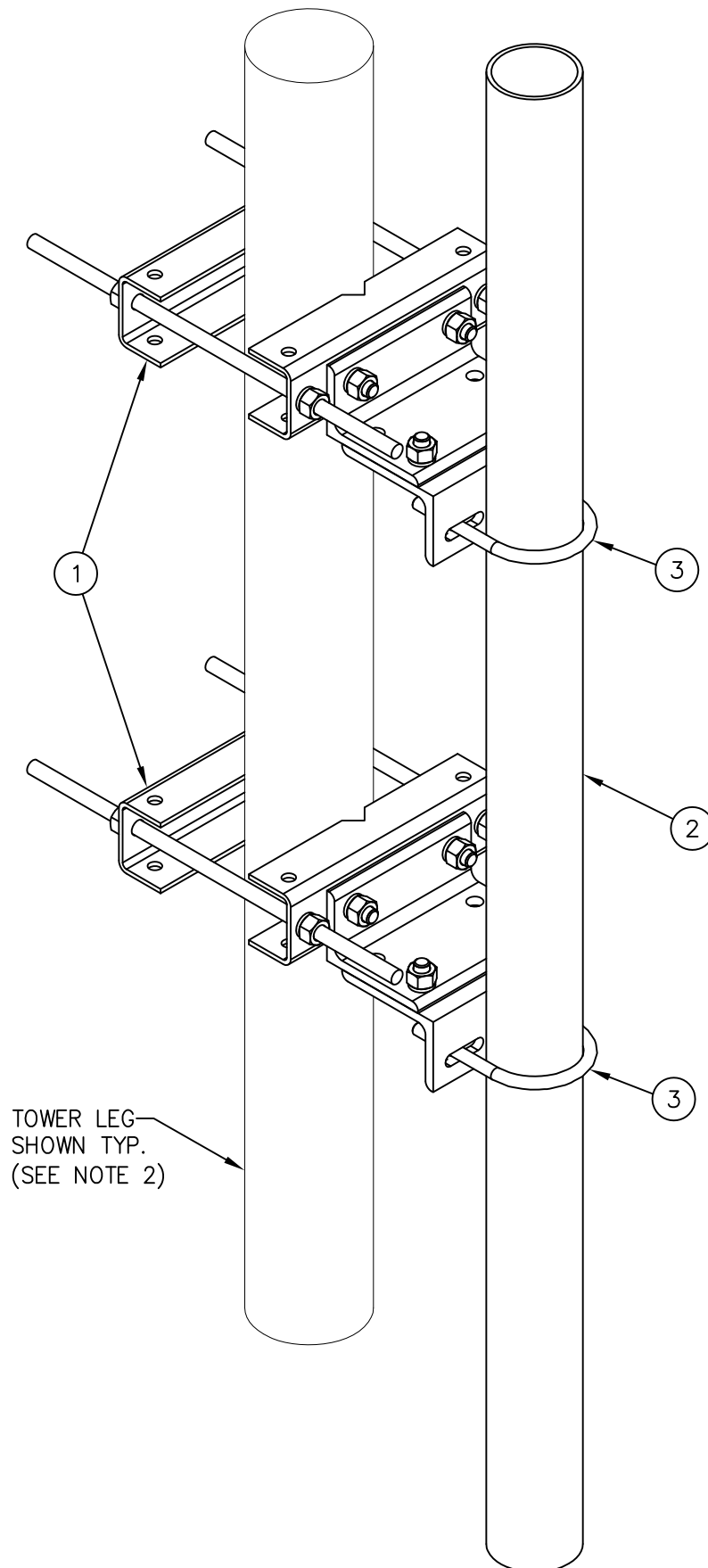


C10153204 ANTENNA PIPE MOUNTING KIT

ITEM	QTY.	PART NO.	DESCRIPTION	WEIGHT
1.	1	C10172102	ANTENNA PIPE MOUNTING KIT	103#
2.	1	C10981407	PIPE, 4 1/2" O.D. (.180" WALL) X 7'-0"	58#
3.	2	C40034032	U-BOLT ASSEMBLY, 5/8 X 5 3/16 C-C	4#
TOTAL WEIGHT				165#

NOTES:

1. QUANTITIES SHOWN IN THE LIST OF MATERIAL ARE FOR ONE ANTENNA PIPE MOUNTING KIT ONLY.
2. THIS ANTENNA PIPE MOUNTING KIT WILL MOUNT TO THE FOLLOWING TOWER LEG SIZES:
 - 5 3/4"Ø TO 10 3/4"Ø ROUND LEG
 - L 5 X 5 TO L 8 X 8 ANGLE LEG



TOWER LEG SHOWN TYP.
(SEE NOTE 2)

ISOMETRIC VIEW

(STRAIGHT TOWER LEG CONFIGURATION SHOWN)

UNLESS OTHERWISE SPECIFIED ALL DIMENSIONS INCLUDE FINISHES AND ARE IN INCHES		MATERIAL:				<p style="text-align: center;">ANTENNA PIPE MOUNTING KIT FOR DISH MOUNT AND T-BOOM MOUNT (5 3/4"Ø TO 10 3/4"Ø ROUND LEG) (5" X 5" TO 8" X 8" ANGLE LEG)</p>				
TOLERANCES: FRACTIONS ± 1/16" ANGLES ± 1/2 DEG. DECIMALS ± .010"		TOLERANCES DO NOT APPLY TO RAW MATERIAL								
				<p style="text-align: center;">CONFIDENTIAL</p> <p>Information contained herein is the sole property of Sabre Communications Corporation, constitutes a trade secret as defined by Iowa Code Ch. 550 and shall not be reproduced, copied or used in whole or in part for any purpose whatsoever without prior written consent of Sabre Communications Corporation.</p>		DATE	6/15/07	SIZE	DRAWING NO.	REV
1	1/13/09	MLC	MC			REVISED PIPE (ITEM 2)	DRAWN BY	MLC	B	C10153204
REV	DATE	DRW	CHK	DESCRIPTION	CHECKED BY	MC		SCALE	PAGE	
								None	1 OF 1	