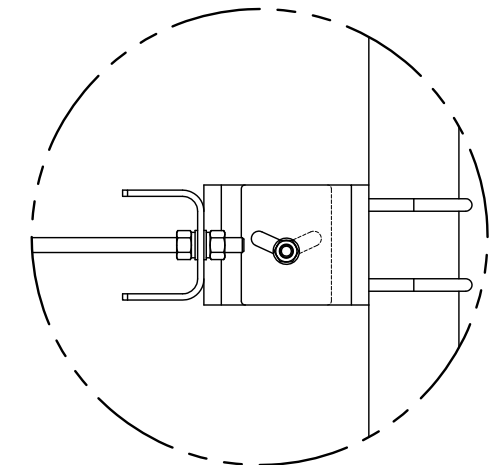
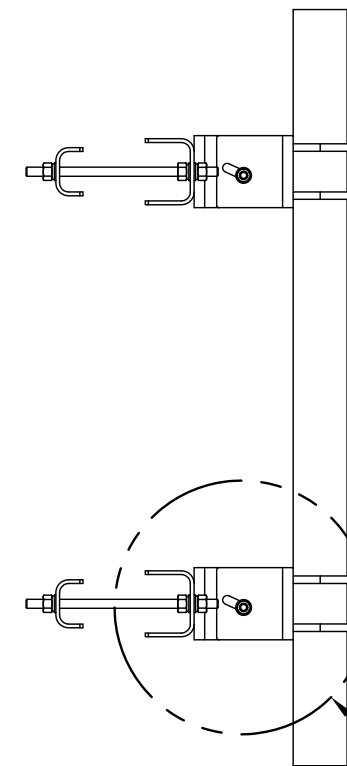
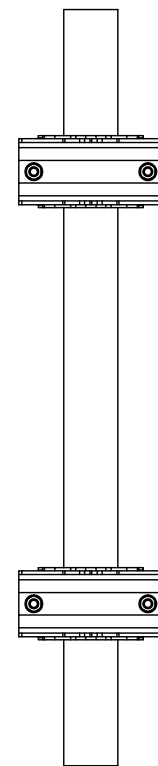
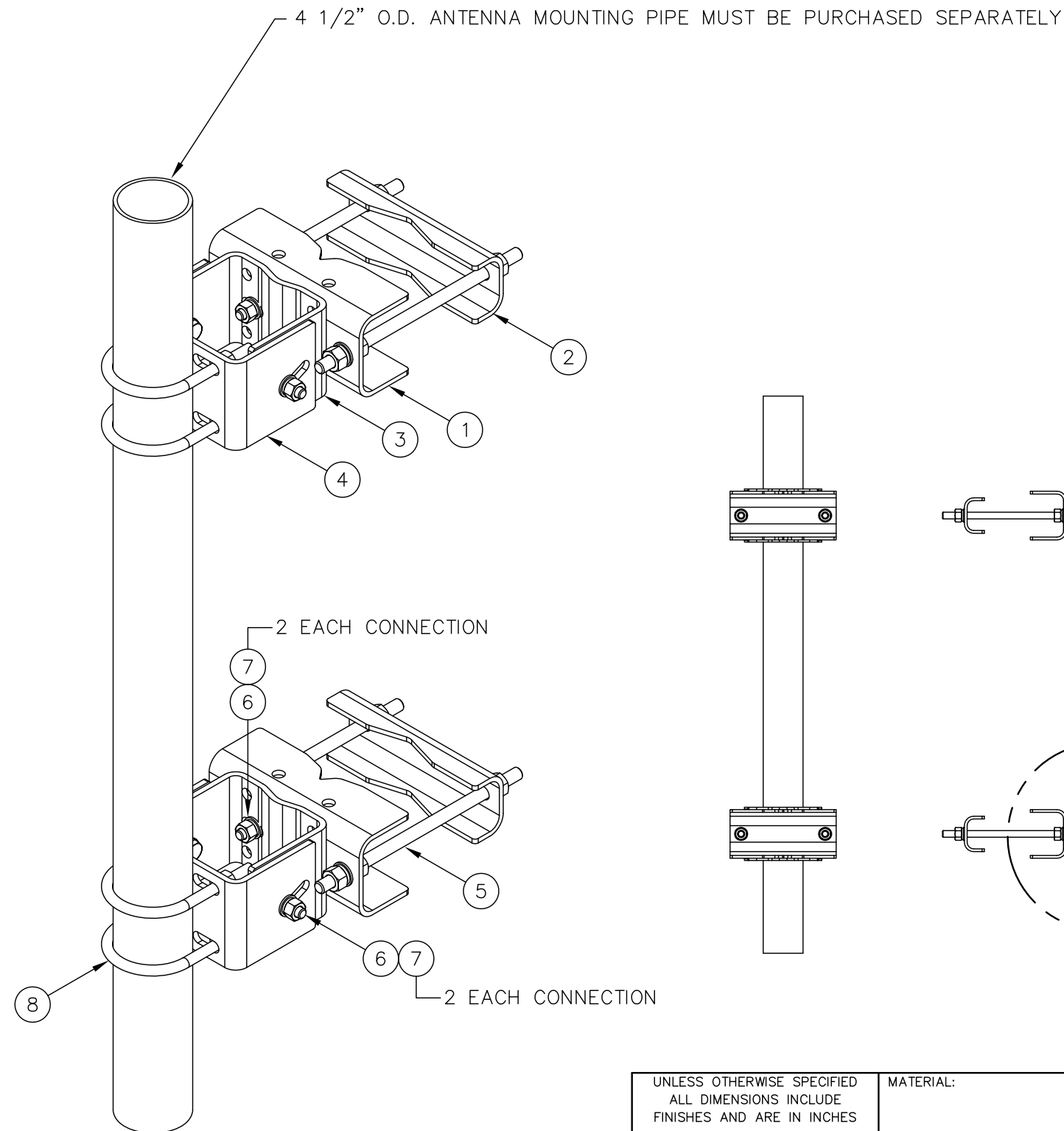




C10153406 (PM04-NP) UNIVERSAL OPEN PIPE MOUNT

ITEM	QTY.	PART NO.	DESCRIPTION	WEIGHT
1.	2	CS03204	MOUNT CHANNEL (FORMED)	25
2.	2	CS03199	CLAMP CHANNEL (FORMED)	26
3.	2	CS03205	INNER CHANNEL (FORMED)	24
4.	2	CS03206	OUTER CHANNEL (FORMED)	25
* 5.	4	C40032302	THREADED ROD ASSEMBLY, 3/4 ϕ X 1'-4	10
6.	8	C40026024	BOLT ASSEMBLY, 5/8 ϕ X 2 1/4 A325	4
7.	16	C40031003	WASHER, 5/8 ϕ FLAT HARDENED ASTM F436	1
8.	4	C40034032	U-BOLT ASSEMBLY, 5/8 ϕ X 5 3/16 C-C	9
TOTAL WEIGHT				124

* EACH THREADED ROD ASSEMBLY COMES WITH (3) NUTS, (3) LOCKWASHERS & (3) FLATWASHERS



SLOT ORIENTATION DETAIL
TYPICAL UPPER & LOWER BRACKETS

SEE SLOT ORIENTATION DETAIL

THIS MOUNT FITS:
 ROUNDS UP TO 8" O.D.
 60° ANGLES UP TO 8"
 90° ANGLES UP TO 6"

UNLESS OTHERWISE SPECIFIED ALL DIMENSIONS INCLUDE FINISHES AND ARE IN INCHES		MATERIAL:	
TOLERANCES: FRACTIONS $\pm 1/16"$ ANGLES $\pm 1/2$ DEG. DECIMALS $\pm .010"$		TOLERANCES DO NOT APPLY TO RAW MATERIAL	
REV	DATE	DRW/CHK	DESCRIPTION

Sabre Industries™
Towers and Poles

CONFIDENTIAL

This document and the information contained herein is the confidential trade secret property of Sabre Communications Corporation ("Sabre") and must not be reproduced, copied or used, in whole or in part, for any purpose without the prior written consent of Sabre.
 © 2015 Sabre Communications Corporation. All rights reserved.

UNIVERSAL OPEN PIPE MOUNT (NO ANTENNA MOUNTING PIPE) (PM04-NP)			
DATE	05/09/15	SIZE	B
DRAWN BY	WRF	DRAWING NO.	C10153406
CHECKED BY	KLE	SCALE	None
		PAGE	1 OF 1
		REV	0