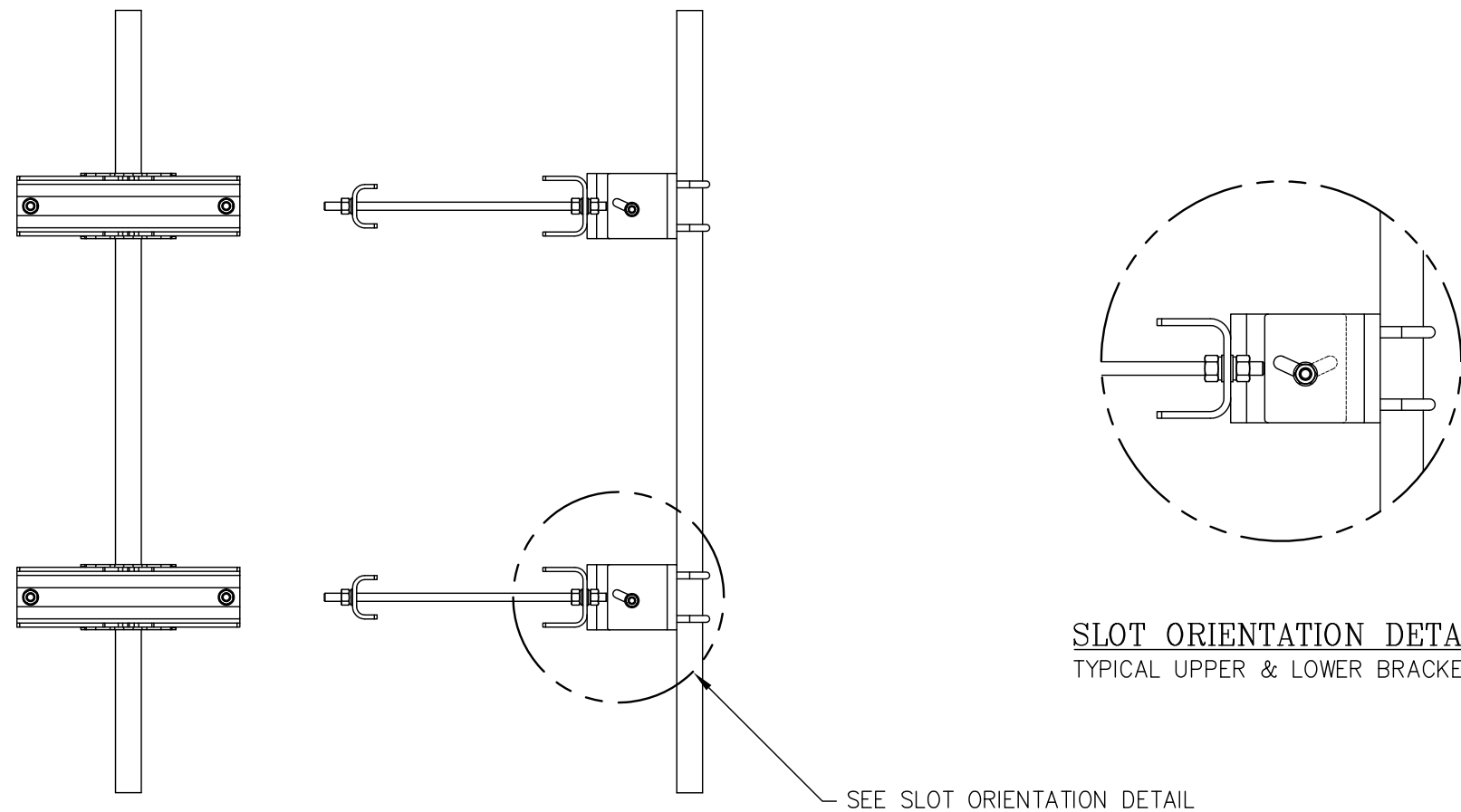
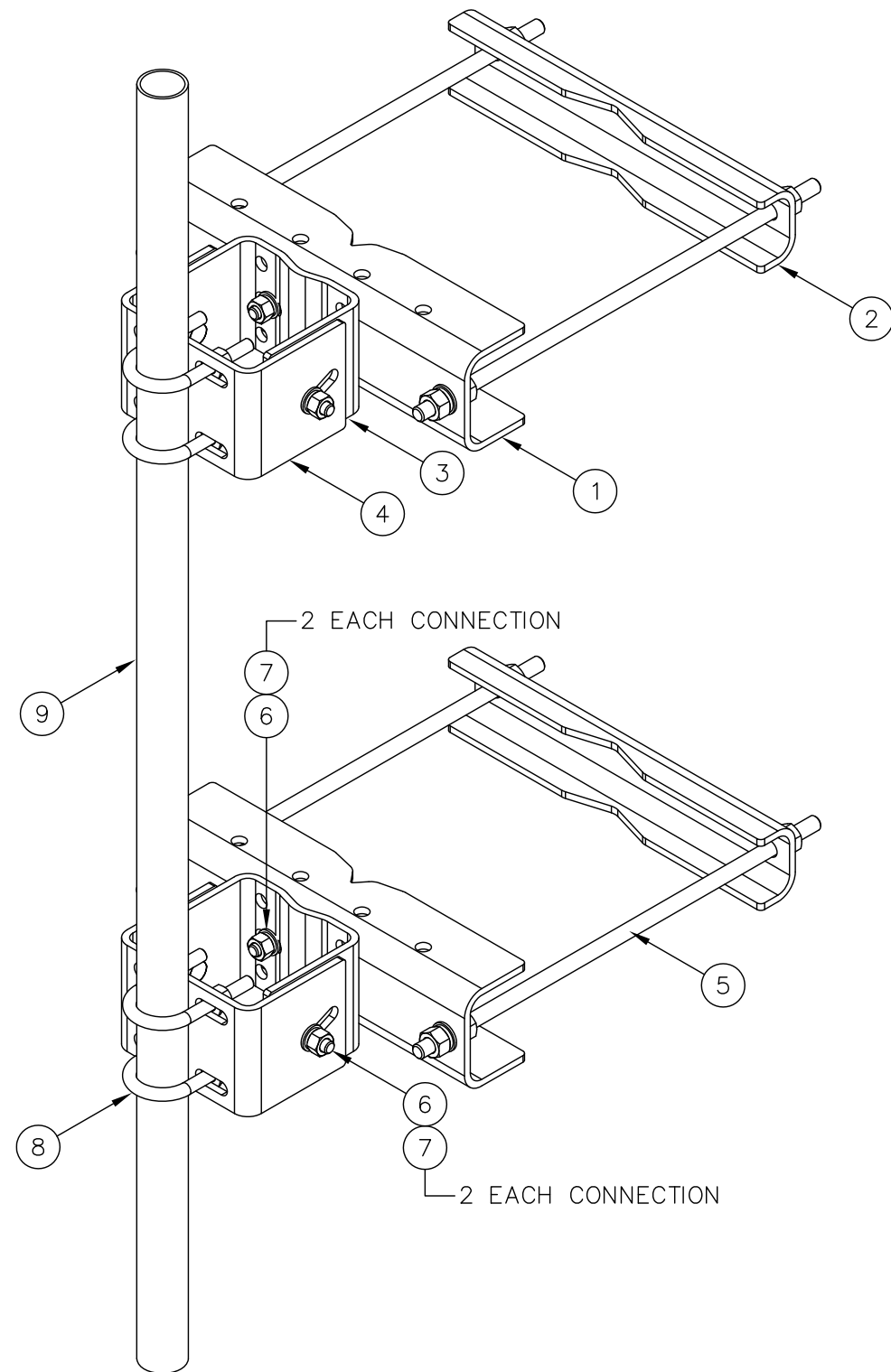




C10153407 (PMOX2-72) UNIVERSAL OPEN PIPE MOUNT

ITEM	QTY.	PART NO.	DESCRIPTION	WEIGHT
1.	2	CS03232	MOUNT CHANNEL (FORMED)	52
2.	2	CS03233	CLAMP CHANNEL (FORMED)	30
3.	2	CS03205	INNER CHANNEL (FORMED)	24
4.	2	CS03206	OUTER CHANNEL (FORMED)	25
* 5.	4	C40099043	THREADED ROD ASS'Y, 3/4 Ø X 2'-6 GRADE A193 B-7	19
6.	8	C40026024	BOLT ASSEMBLY, 5/8 Ø X 2 1/4 A325	4
7.	16	C40031003	WASHER, 5/8 Ø FLAT HARDENED ASTM F436	1
8.	4	C40034023	U-BOLT ASSEMBLY, 5/8 Ø X 3 1/16 C-C	7
9.	1	C10901206	PIPE, 2 3/8" O.D. X .154 X 6'-0	23
TOTAL WEIGHT				185

\* EACH THREADED ROD ASSEMBLY COMES WITH (3) NUTS, (3) LOCKWASHERS & (3) FLATWASHERS



SLOT ORIENTATION DETAIL  
TYPICAL UPPER & LOWER BRACKETS

**THIS MOUNT FITS:**  
 ROUNDS 8" O.D. TO 16" O.D.  
 60° ANGLES 8" TO 16"  
 90° ANGLES 6" TO 12"

UNLESS OTHERWISE SPECIFIED  
 ALL DIMENSIONS INCLUDE  
 FINISHES AND ARE IN INCHES  
 TOLERANCES: FRACTIONS ± 1/16"  
 ANGLES ± 1/2 DEG.  
 DECIMALS ± .010"

MATERIAL:  
 TOLERANCES DO NOT APPLY  
 TO RAW MATERIAL



**CONFIDENTIAL**  
 This document and the information contained herein is the confidential trade secret property of Sabre Communications Corporation ("Sabre") and must not be reproduced, copied or used, in whole or in part, for any purpose without the prior written consent of Sabre.  
 © 2015 Sabre Communications Corporation. All rights reserved.

UNIVERSAL OPEN PIPE MOUNT  
 (2 3/8" O.D. ANTENNA MOUNTING PIPE)  
 (PMOX2-72)

REV	DATE	DRW/CHK	DESCRIPTION

DATE	05/22/15	SIZE	B	DRAWING NO.	C10153407	REV	0
DRAWN BY	WRF	SCALE	None	PAGE	1	OF	1
CHECKED BY	KLE						