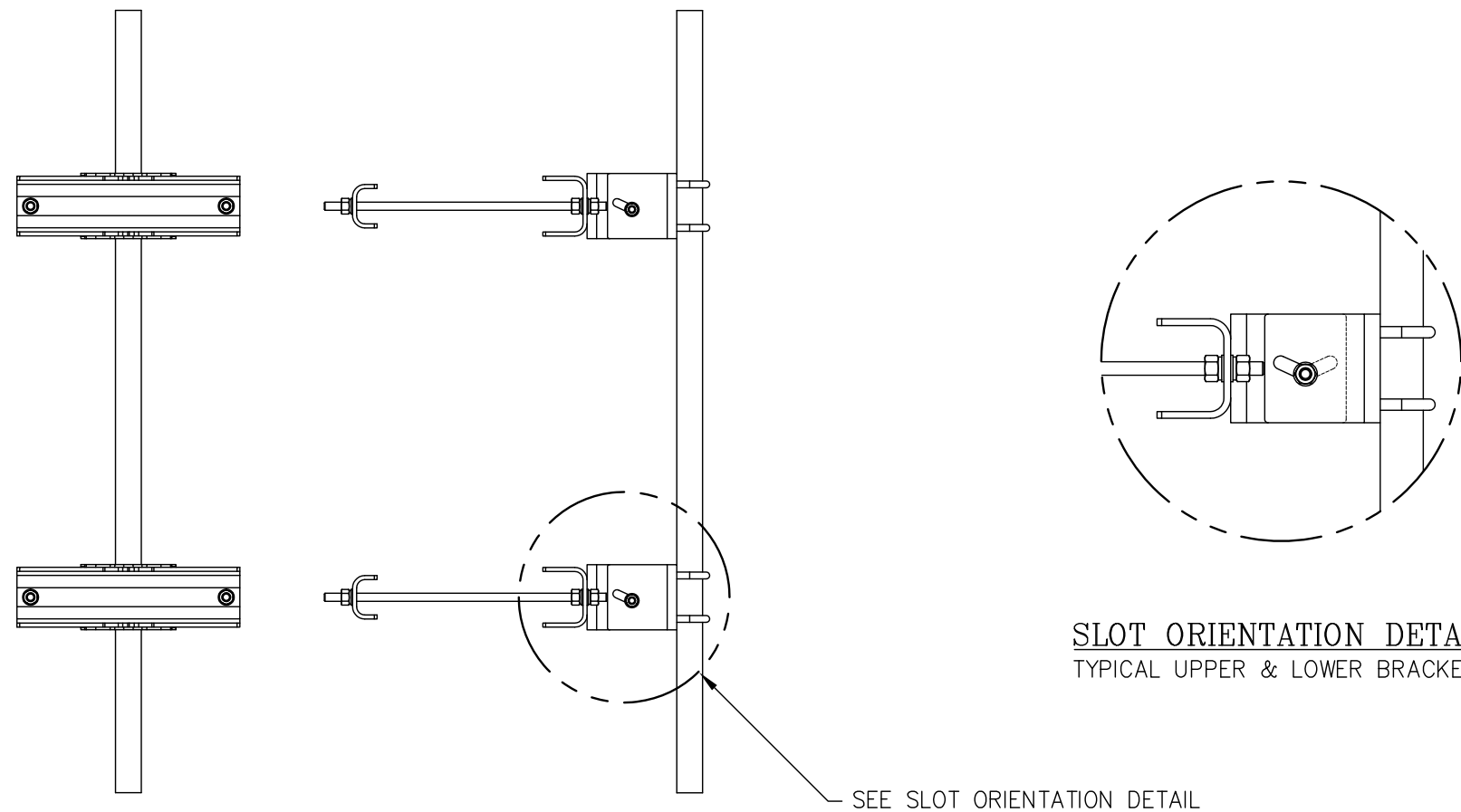
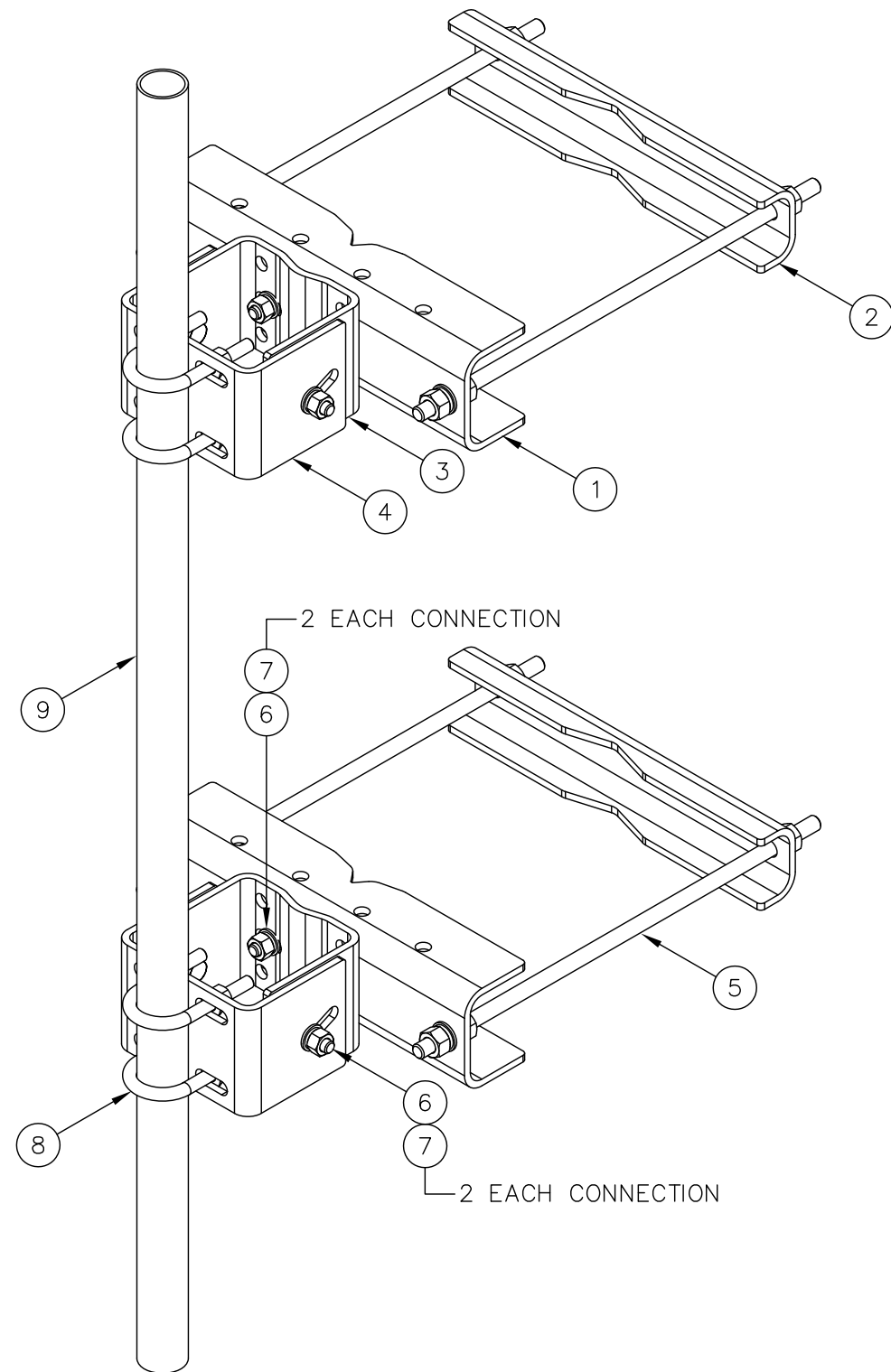




C10153408 (PMOX2-96) UNIVERSAL OPEN PIPE MOUNT

ITEM	QTY.	PART NO.	DESCRIPTION	WEIGHT
1.	2	CS03232	MOUNT CHANNEL (FORMED)	52
2.	2	CS03233	CLAMP CHANNEL (FORMED)	30
3.	2	CS03205	INNER CHANNEL (FORMED)	24
4.	2	CS03206	OUTER CHANNEL (FORMED)	25
* 5.	4	C40099043	THREADED ROD ASS'Y, 3/4 ϕ X 2'-6 GRADE A193 B-7	19
6.	8	C40026024	BOLT ASSEMBLY, 5/8 ϕ X 2 1/4 A325	4
7.	16	C40031003	WASHER, 5/8 ϕ FLAT HARDENED ASTM F436	1
8.	4	C40034023	U-BOLT ASSEMBLY, 5/8 ϕ X 3 1/16 C-C	7
9.	1	C10901222	PIPE, 2 3/8" O.D. X .154 X 8'-0	30
TOTAL WEIGHT				192

* EACH THREADED ROD ASSEMBLY COMES WITH (3) NUTS, (3) LOCKWASHERS & (3) FLATWASHERS



SLOT ORIENTATION DETAIL
TYPICAL UPPER & LOWER BRACKETS

THIS MOUNT FITS:
 ROUNDS 8" O.D. TO 16" O.D.
 60° ANGLES 8" TO 16"
 90° ANGLES 6" TO 12"

UNLESS OTHERWISE SPECIFIED
 ALL DIMENSIONS INCLUDE
 FINISHES AND ARE IN INCHES
 TOLERANCES: FRACTIONS $\pm 1/16"$
 ANGLES $\pm 1/2$ DEG.
 DECIMALS $\pm .010"$

MATERIAL:
 TOLERANCES DO NOT APPLY
 TO RAW MATERIAL



UNIVERSAL OPEN PIPE MOUNT
 (2 3/8" O.D. ANTENNA MOUNTING PIPE)
 (PMOX2-96)

REV	DATE	DRW/CHK	DESCRIPTION

CONFIDENTIAL
 This document and the information contained herein is the confidential trade secret property of Sabre Communications Corporation ("Sabre") and must not be reproduced, copied or used, in whole or in part, for any purpose without the prior written consent of Sabre.
 © 2015 Sabre Communications Corporation. All rights reserved.

DATE	05/22/15	SIZE	B	DRAWING NO.	C10153408	REV	0
DRAWN BY	WRF	SCALE		PAGE		None	
CHECKED BY	KLE	None		1 OF 1			