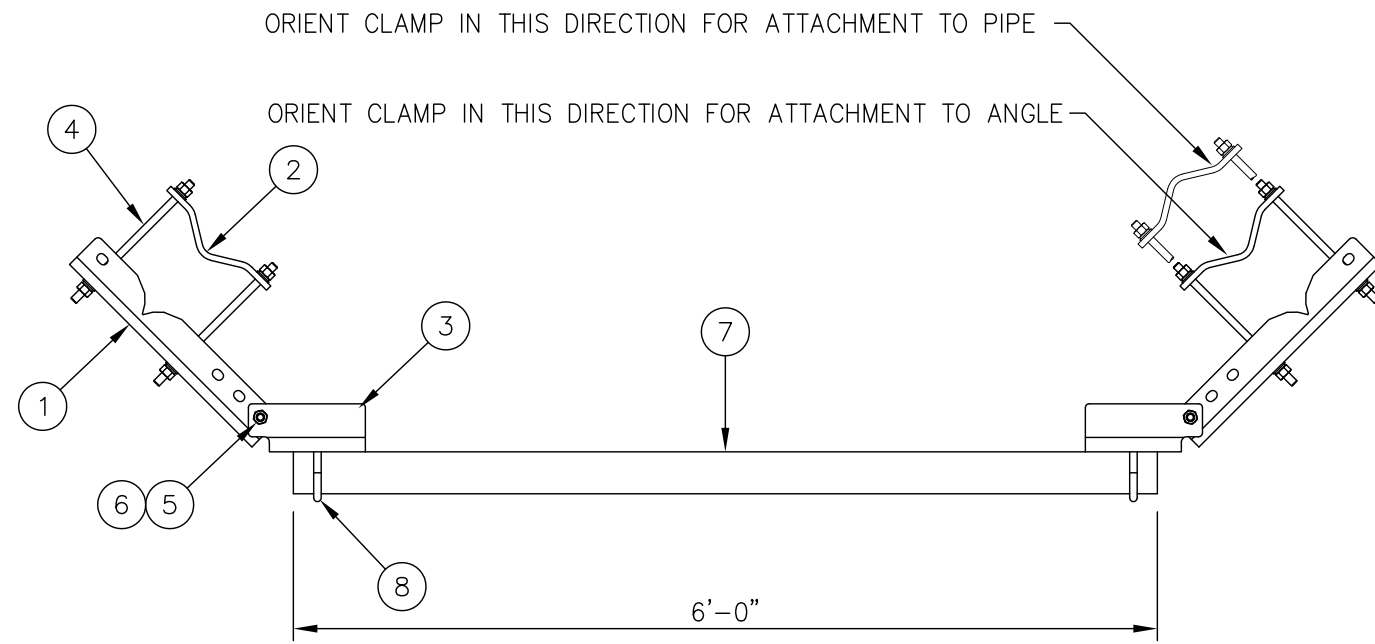


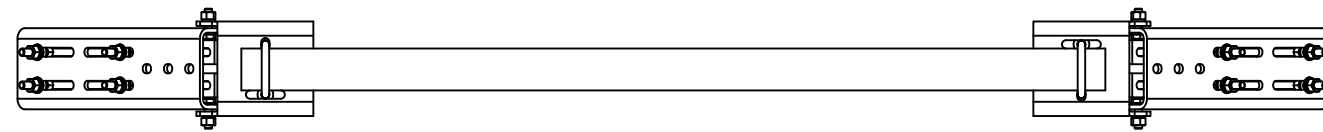


C10153413 (MCSS-72) MICROWAVE DISH STRUT SUPPORT

(1)	C10153425	(2MSSBF3) MICROWAVE DISH STRUT SUPPORT	111
(1)	---	MISC MATERIAL	51
			TOTAL WEIGHT
			162



PLAN VIEW



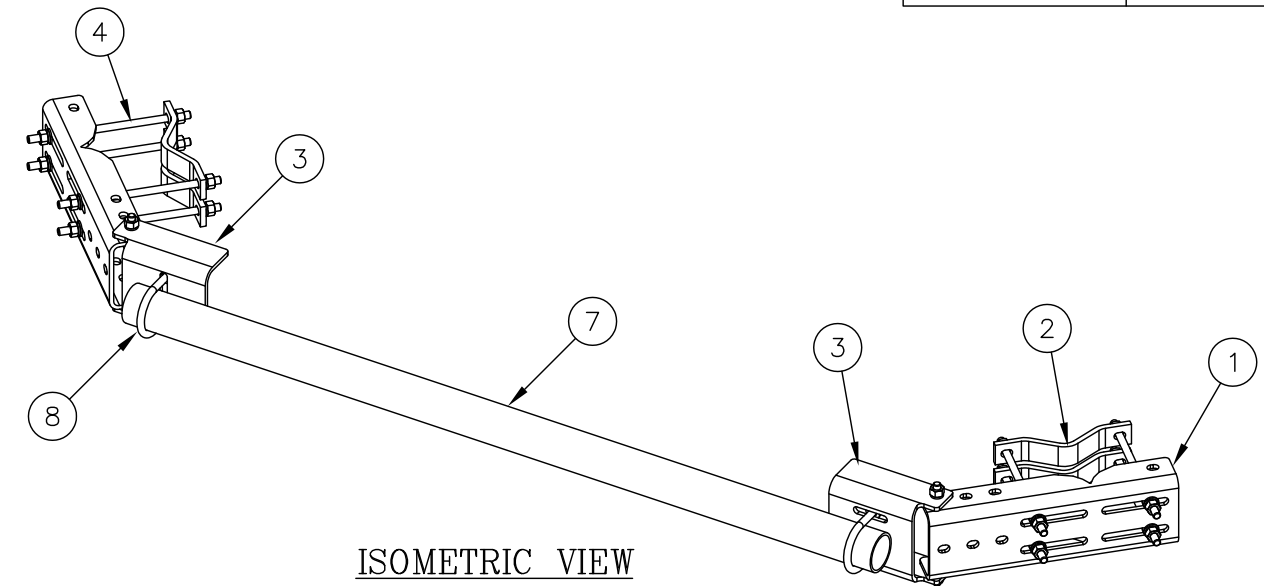
ELEVATION VIEW

SEE PAGE 2 FOR MOUNTING OPTIONS

C10153425 (2MSSBF3) KIT LIST OF MATERIAL				
ITEM	QTY.	PART NO.	DESCRIPTION	WEIGHT
1.	2	CS03195	UNIVERSAL LEG CONNECTION	53
2.	4	CS03196	2 1/2" O.D. TO 9" O.D. CLAMP HALF	14
3.	2	CS03220	CHANNEL, PIVOT BRACKET	26
* 4.	8	C40032303	THREADED ROD ASSEMBLY, 5/8 ø X 1'-2	15
5.	4	C40026024	BOLT ASSEMBLY, 5/8 X 2 1/4 A325	2
6.	4	C40031003	5/8" HARDENED FLATWASHER ASTM F436	1
				TOTAL WEIGHT
				111

* EACH THREADED ROD ASSEMBLY COMES WITH (3) NUTS, (3) LOCKWASHERS & (3) FLATWASHERS

MISC MATERIAL				
ITEM	QTY.	PART NO.	DESCRIPTION	WEIGHT
7.	1	CS03268	PIPE, 3 1/2" O.D. X .216 X 6'-0	47
8.	2	C40034028	U-BOLT ASSEMBLY, 5/8 ø X 4 3/16 C-C	4
				TOTAL WEIGHT
				51



ISOMETRIC VIEW

THIS MOUNT FITS:
 ROUNDS UP TO 8" O.D.
 60° ANGLES UP TO 8"
 90° ANGLES UP TO 6"

UNLESS OTHERWISE SPECIFIED ALL DIMENSIONS INCLUDE FINISHES AND ARE IN INCHES			MATERIAL:		
TOLERANCES: FRACTIONS ± 1/16"			TOLERANCES DO NOT APPLY TO RAW MATERIAL		
ANGLES ± 1/2 DEG.					
DECIMALS ± .010"					
REV	DATE	DRWCHK	DESCRIPTION		

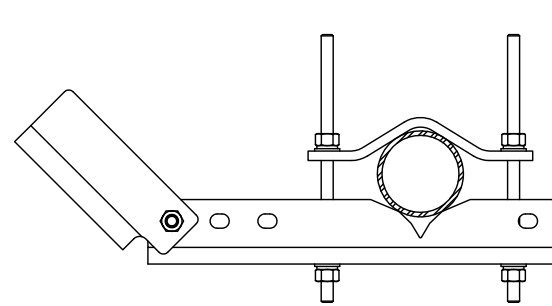


CONFIDENTIAL
 This document and the information contained herein is the confidential trade secret property of Sabre Communications Corporation ("Sabre") and must not be reproduced, copied or used, in whole or in part, for any purpose without the prior written consent of Sabre.
 © 2015 Sabre Communications Corporation. All rights reserved.

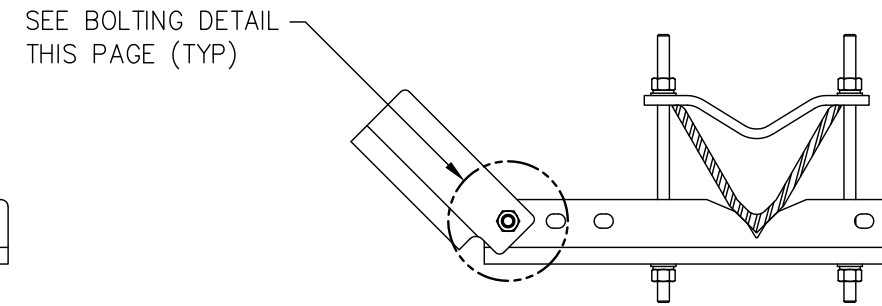
TOWER FACE MOUNTED MICROWAVE DISH STRUT SUPPORT (3 1/2" O.D. X 6'-0 PIPE) (MCSS-72)				
DATE	05/13/15	SIZE	DRAWING NO.	REV
DRAWN BY	WRF	B	C10153413	0
CHECKED BY	KLE	SCALE	None	PAGE
				1 OF 2



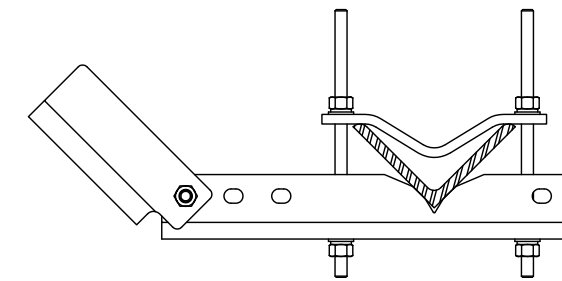
MOUNTING OPTIONS



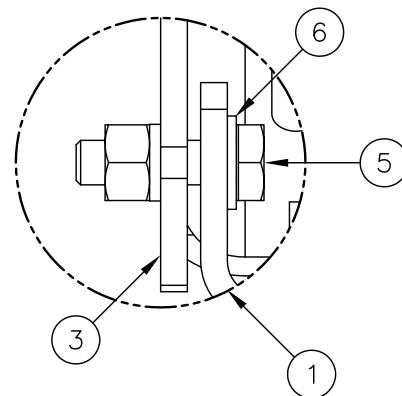
ROUND TOWER LEG



60° ANGLE TOWER LEG



90° ANGLE TOWER LEG



BOLTING DETAIL

UNLESS OTHERWISE SPECIFIED
ALL DIMENSIONS INCLUDE
FINISHES AND ARE IN INCHES
TOLERANCES: FRACTIONS $\pm 1/16"$
ANGLES $\pm 1/2$ DEG.
DECIMALS $\pm .010"$

MATERIAL:

TOLERANCES DO NOT APPLY
TO RAW MATERIAL



TOWER FACE MOUNTED
MICROWAVE DISH STRUT SUPPORT
(3 1/2" O.D. X 6'-0 PIPE)
(MCSS-72)

REV	DATE	DRW/CHK	DESCRIPTION

CONFIDENTIAL
This document and the information
contained herein is the confidential trade
secret property of Sabre Communications
Corporation ("Sabre") and must not be
reproduced, copied or used, in whole or in
part, for any purpose without the prior
written consent of Sabre.
© 2015 Sabre Communications Corporation.
All rights reserved.

DATE	05/13/15	SIZE	DRAWING NO.	REV
DRAWN BY	WRF/KLE	B	C10153413	0
CHECKED BY	KLE	SCALE	None	PAGE
				2 OF 2