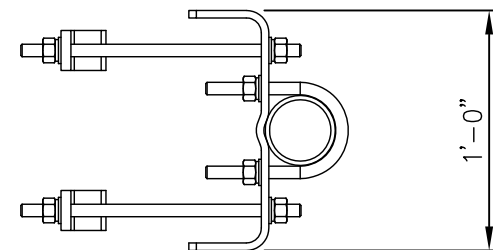
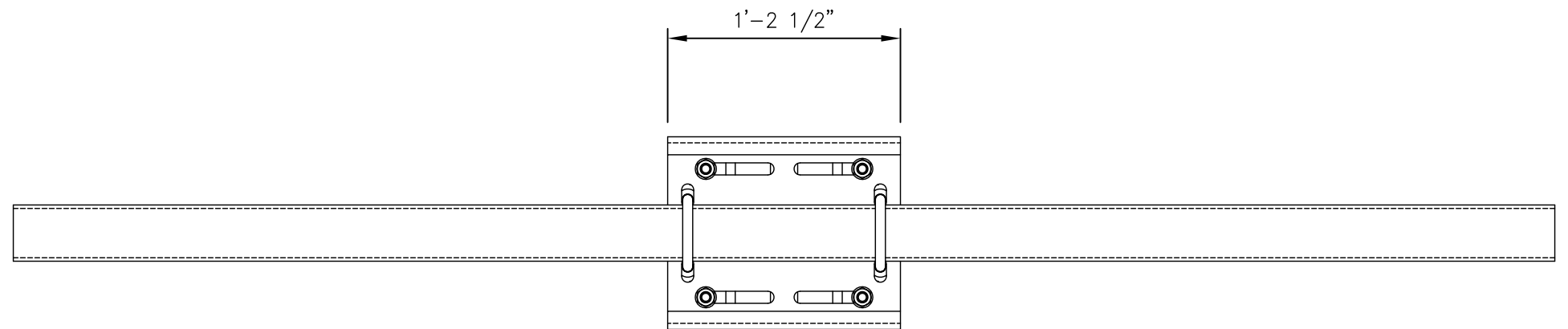
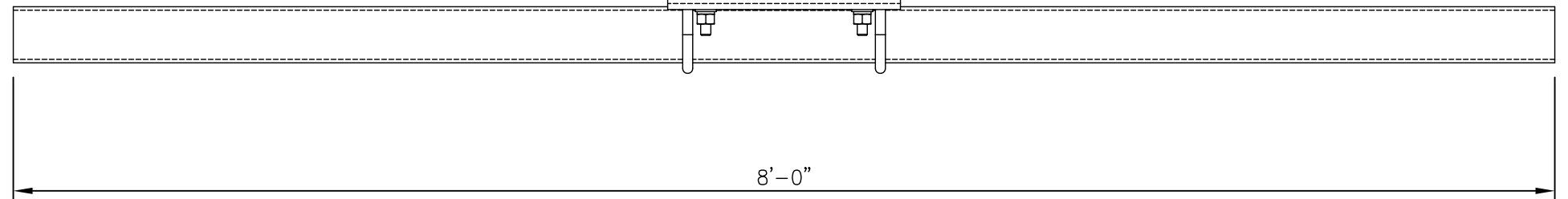
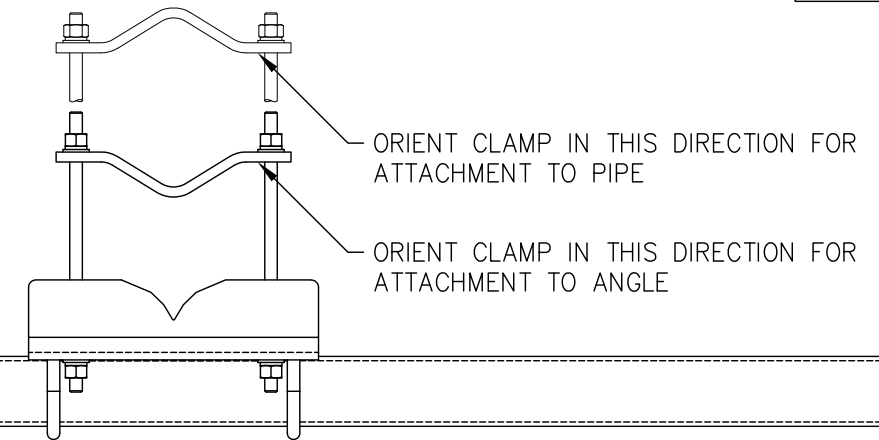
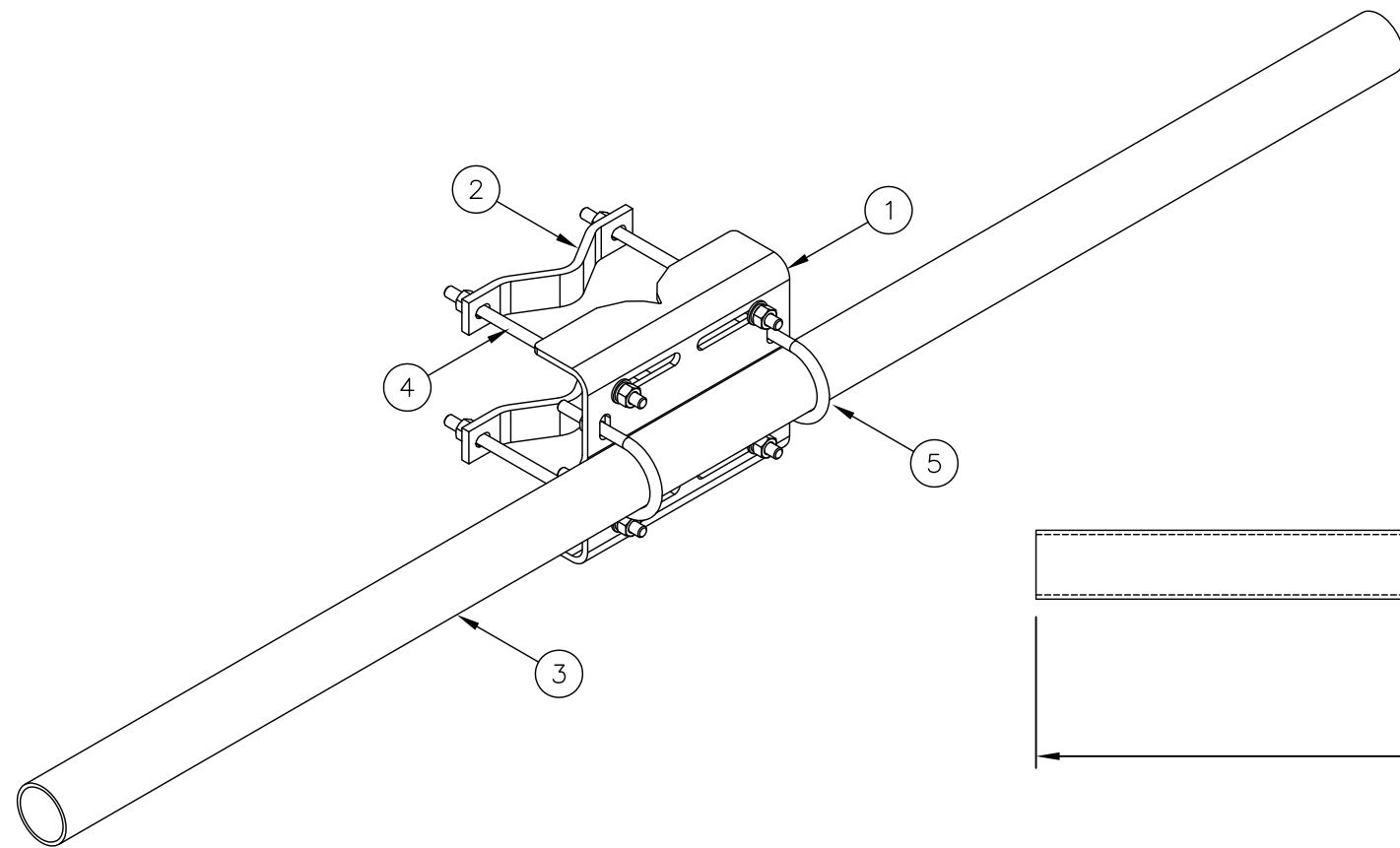




C10153420 (MSS-96) MICROWAVE DISH 8' STRUT SUPPORT

ITEM	QTY.	PART NO.	DESCRIPTION	WEIGHT
1.	1	CS03207	PLATE, MOUNTING CHANNEL	27
2.	2	CS03196	2 1/2" O.D. TO 9" O.D. CLAMP HALF	7
3.	1	CS03269	PIPE, 3 1/2 O.D. X .216 X 8'-0	63
4.	4	C40032024	THREADED ROD ASSEMBLY, 5/8 ϕ X 1'-2	6
5.	2	C40034028	U-BOLT ASSEMBLY, 5/8 ϕ X 4 3/16 C-C	4
TOTAL WEIGHT				107



THIS MOUNT FITS:
 ROUNDS UP TO 8" O.D.
 60° ANGLES UP TO 8"
 90° ANGLES UP TO 6"

UNLESS OTHERWISE SPECIFIED
 ALL DIMENSIONS INCLUDE
 FINISHES AND ARE IN INCHES

TOLERANCES: FRACTIONS $\pm 1/16"$
 ANGLES $\pm 1/2$ DEG.
 DECIMALS $\pm .010"$

MATERIAL:

TOLERANCES DO NOT APPLY
 TO RAW MATERIAL



TOWER LEG MOUNTED
 MICROWAVE DISH 8' STRUT SUPPORT
 (MSS-96)

REV	DATE	DRW/CHK	DESCRIPTION

CONFIDENTIAL
 This document and the information contained herein is the confidential trade secret property of Sabre Communications Corporation ("Sabre") and must not be reproduced, copied or used, in whole or in part, for any purpose without the prior written consent of Sabre.
 © 2015 Sabre Communications Corporation. All rights reserved.

DATE	05/13/15	SIZE	B	DRAWING NO.	C10153420	REV	0
DRAWN BY	WRF	SCALE		PAGE		None	
CHECKED BY	KLE	None		1 OF 1			