

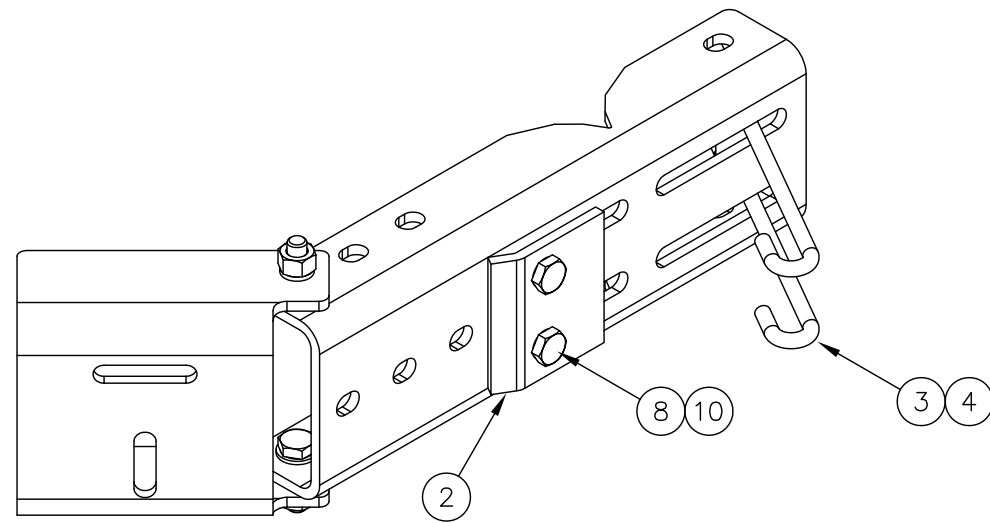


C10153423 (MSSBF-3) MICROWAVE DISH STRUT SUPPORT BRACKET

ITEM	QTY.	PART NO.	DESCRIPTION	WEIGHT
1.	1	CS03195	UNIVERSAL LEG CHANNEL	26
2.	1	CS03221	CLAMP PLATE	2
3.	1	CS03222	CLAMP TUBE	1
4.	2	C40039025	J-BOLT ASSEMBLY, 1/2" Ø X 12 1/8"	2
5.	2	CS03196	2 1/2" O.D. TO 9" O.D. CLAMP HALF	7
6.	1	CS03220	CHANNEL, PIVOT BRACKET	13
* 7.	4	C40032303	THREADED ROD ASSEMBLY, 5/8" Ø X 1'-2"	8
8.	2	C40026025	BOLT ASSEMBLY, 5/8" Ø X 2 1/2" A325	1
9.	2	C40026024	BOLT ASSEMBLY, 5/8" Ø X 2 1/4" A325	1
10.	4	C40031003	5/8" HARDENED FLATWASHER ASTM F436	1
TOTAL WEIGHT				62

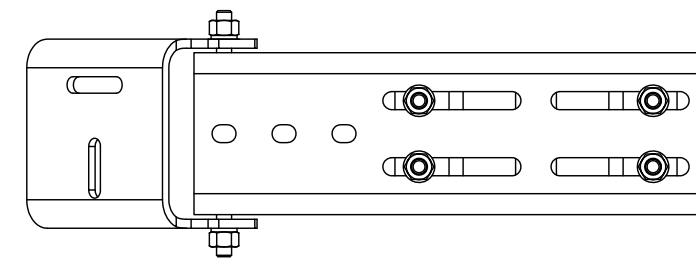
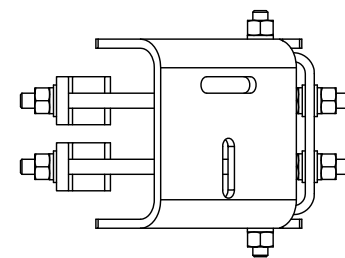
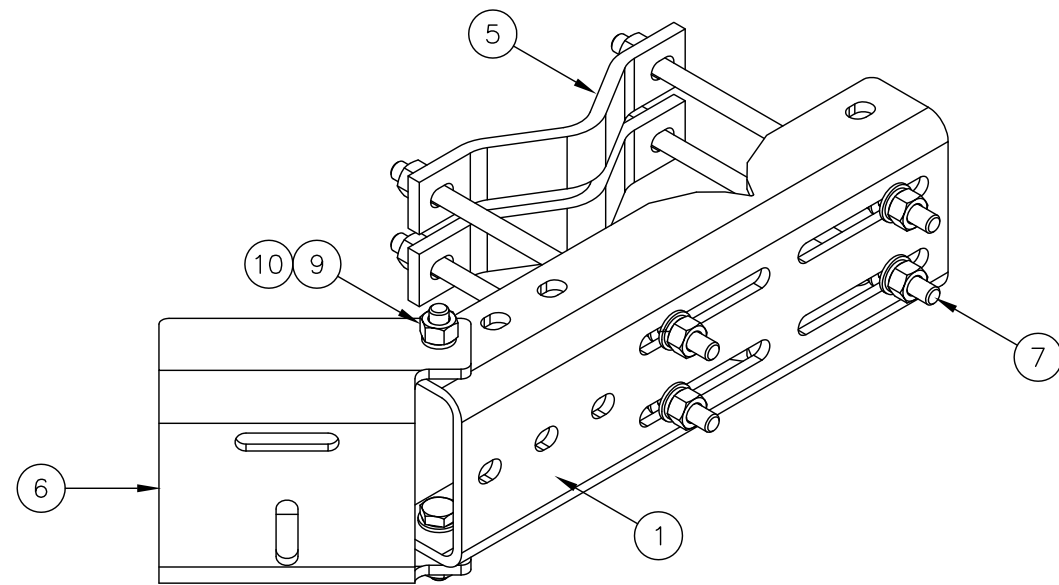
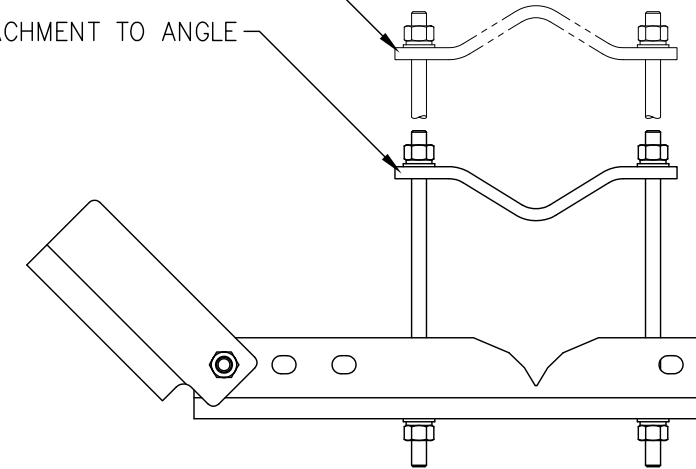
*

* EACH THREADED ROD ASSEMBLY COMES WITH (3) NUTS, (3) LOCKWASHERS & (3) FLATWASHERS



ORIENT CLAMP IN THIS DIRECTION FOR ATTACHMENT TO PIPE

ORIENT CLAMP IN THIS DIRECTION FOR ATTACHMENT TO ANGLE



SEE PAGE 2 FOR MOUNTING OPTIONS

THIS MOUNT FITS:

- ROUNDS UP TO 8" O.D.
- 60° ANGLES UP TO 8"
- 90° ANGLES UP TO 6"

UNLESS OTHERWISE SPECIFIED ALL DIMENSIONS INCLUDE FINISHES AND ARE IN INCHES
 TOLERANCES: FRACTIONS ± 1/16"
 ANGLES ± 1/2 DEG.
 DECIMALS ± .010"

MATERIAL:
 TOLERANCES DO NOT APPLY TO RAW MATERIAL



TOWER FACE MOUNTED
 MICROWAVE DISH STRUT SUPPORT BRACKET
 (MSSBF-3)

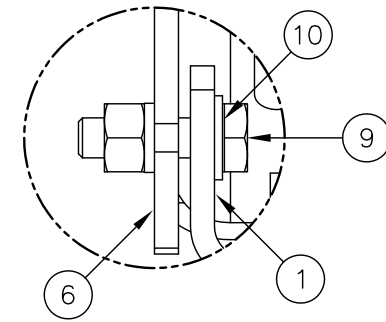
REV	DATE	DRW/CHK	DESCRIPTION

CONFIDENTIAL
 This document and the information contained herein is the confidential trade secret property of Sabre Communications Corporation ("Sabre") and must not be reproduced, copied or used, in whole or in part, for any purpose without the prior written consent of Sabre.
 © 2015 Sabre Communications Corporation. All rights reserved.

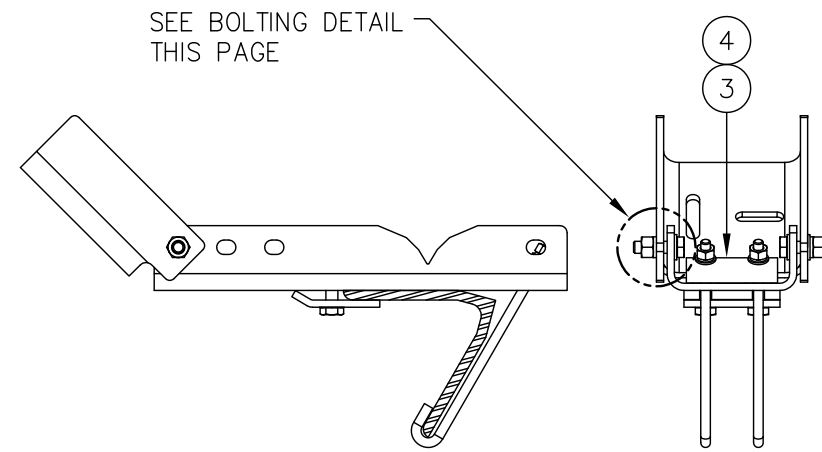
DATE	04/21/15	SIZE	B	DRAWING NO.	C10153423	REV	0
DRAWN BY	WRF	CHECKED BY	CHH/KLE	SCALE	None	PAGE	1 OF 2



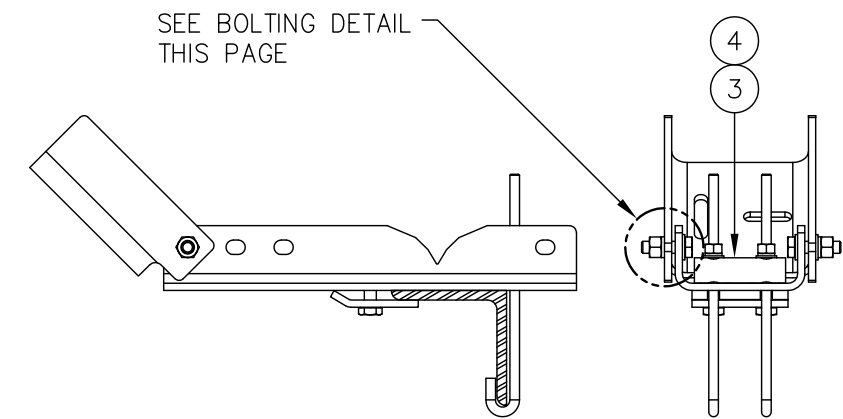
MOUNTING OPTIONS



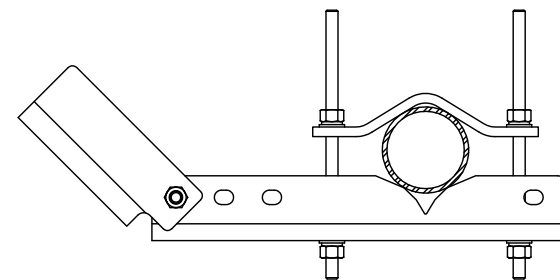
BOLTING DETAIL



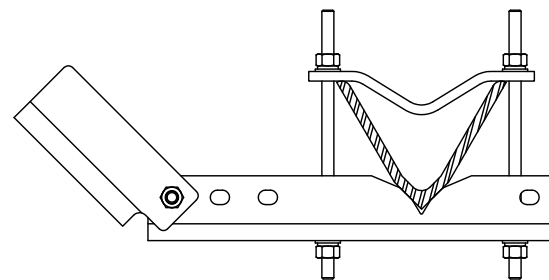
60° ANGLE TOWER LEG



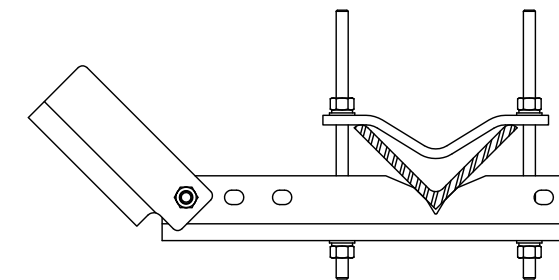
90° ANGLE TOWER LEG



ROUND TOWER LEG



60° ANGLE TOWER LEG



90° ANGLE TOWER LEG

UNLESS OTHERWISE SPECIFIED
ALL DIMENSIONS INCLUDE
FINISHES AND ARE IN INCHES
TOLERANCES: FRACTIONS ± 1/16"
ANGLES ± 1/2 DEG.
DECIMALS ± .010"

MATERIAL:

TOLERANCES DO NOT APPLY
TO RAW MATERIAL



TOWER FACE MOUNTED
MICROWAVE DISH STRUT SUPPORT BRACKET
(MSSBF-3)

REV	DATE	DRW/CHK	DESCRIPTION

CONFIDENTIAL
This document and the information
contained herein is the confidential trade
secret property of Sabre Communications
Corporation ("Sabre") and must not be
reproduced, copied or used, in whole or in
part, for any purpose without the prior
written consent of Sabre.
© 2015 Sabre Communications Corporation.
All rights reserved.

DATE	04/21/15	SIZE B	DRAWING NO. C10153423	REV 0
DRAWN BY	WRF			
CHECKED BY	CHH/KLE	SCALE None	PAGE 2 OF 2	