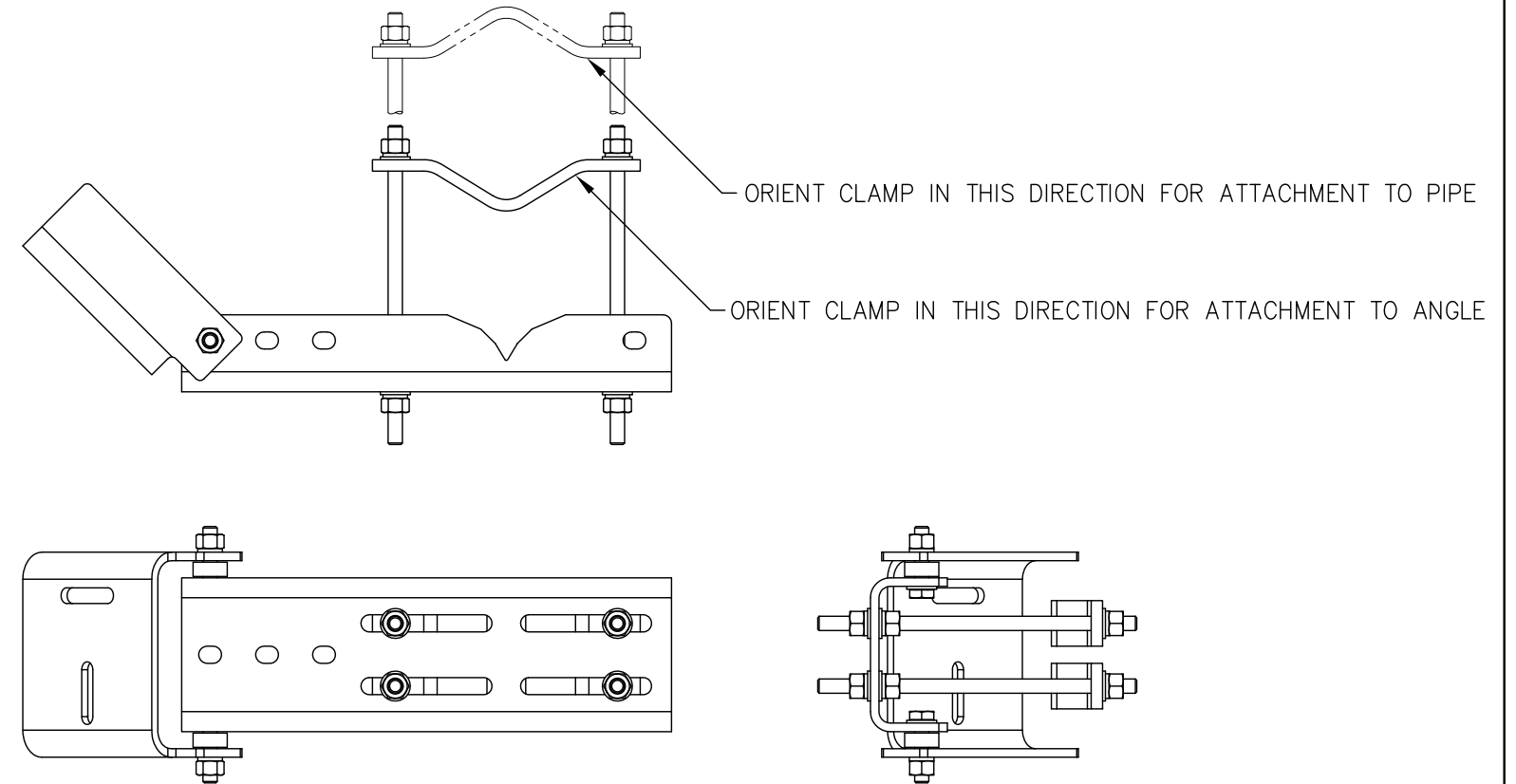
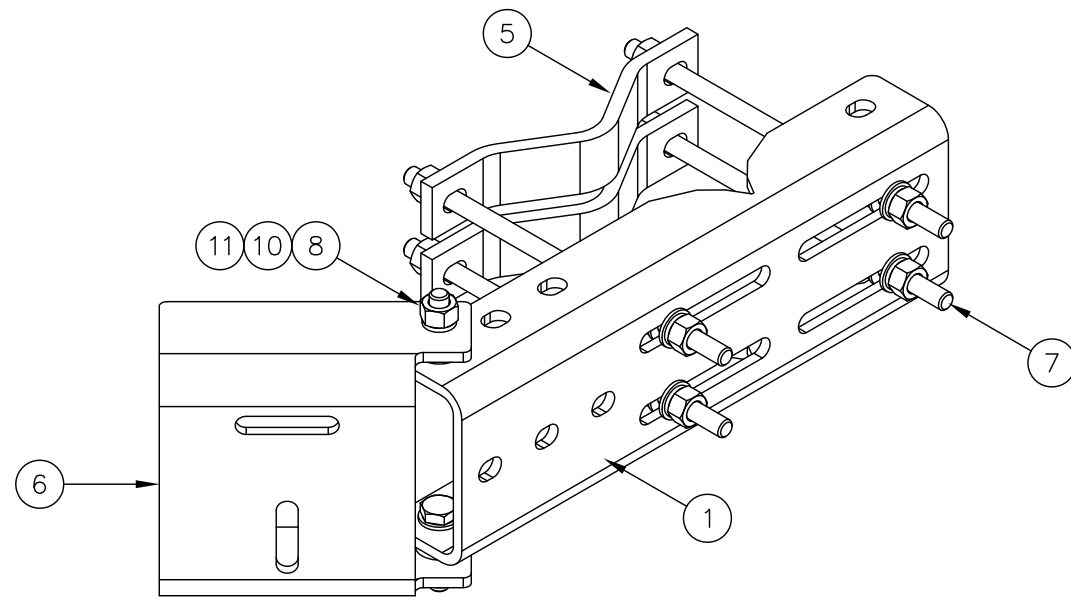
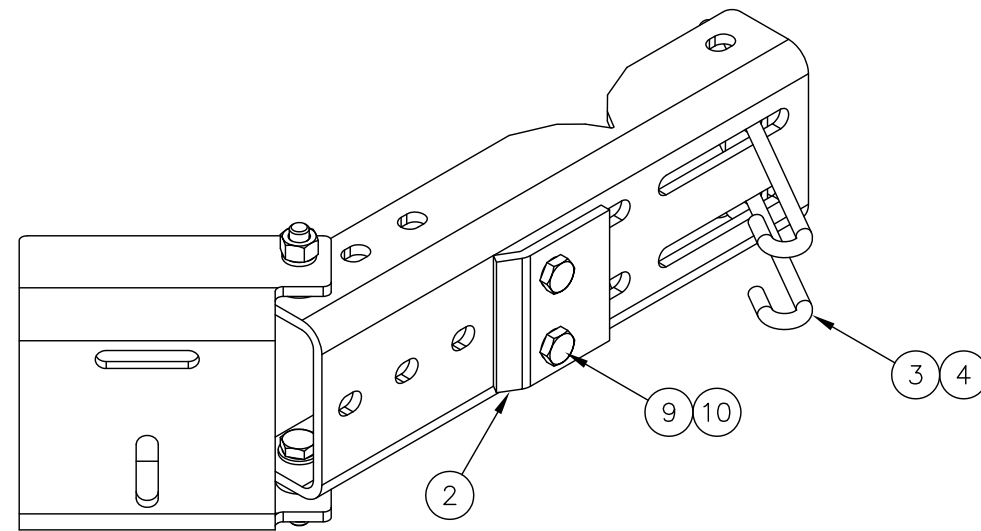




C10153424 (MSSBF-4) MICROWAVE DISH STRUT SUPPORT BRACKET

ITEM	QTY.	PART NO.	DESCRIPTION	WEIGHT
1.	1	CS03195	UNIVERSAL LEG CHANNEL	26
2.	1	CS03221	CLAMP PLATE	2
3.	1	CS03222	CLAMP TUBE	1
4.	2	C40039025	J-BOLT ASSEMBLY, 1/2" Ø X 12 1/8"	2
5.	2	CS03196	2 1/2" O.D. TO 9" O.D. CLAMP HALF	7
6.	1	CS03254	CHANNEL, PIVOT BRACKET	14
* 7.	4	C40032303	THREADED ROD ASSEMBLY, 5/8" Ø X 1'-2"	8
8.	2	C40026026	BOLT ASSEMBLY, 5/8" Ø X 2 3/4" A325	1
9.	2	C40026025	BOLT ASSEMBLY, 5/8" Ø X 2 1/2" A325	1
10.	4	C40031003	5/8" HARDENED FLATWASHER ASTM F436	1
11.	2	C40047019	RINGFILL, 5/8" THICK FOR 5/8" Ø BOLT	1
TOTAL WEIGHT				64

* EACH THREADED ROD ASSEMBLY COMES WITH (3) NUTS, (3) LOCKWASHERS & (3) FLATWASHERS



SEE PAGE 2 FOR MOUNTING OPTIONS

THIS MOUNT FITS:
 ROUNDS UP TO 8" O.D.
 60° ANGLES UP TO 8"
 90° ANGLES UP TO 6"

UNLESS OTHERWISE SPECIFIED ALL DIMENSIONS INCLUDE FINISHES AND ARE IN INCHES			MATERIAL:		
TOLERANCES: FRACTIONS ± 1/16" ANGLES ± 1/2 DEG. DECIMALS ± .010"			TOLERANCES DO NOT APPLY TO RAW MATERIAL		
REV	DATE	DRWCHK	DESCRIPTION		

Sabre Industries™
Towers and Poles

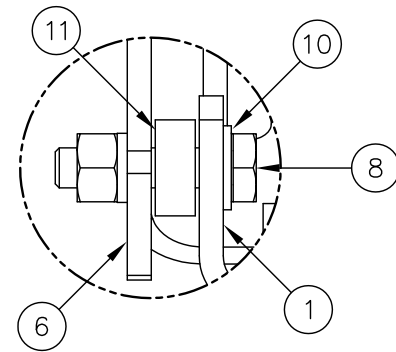
CONFIDENTIAL

This document and the information contained herein is the confidential trade secret property of Sabre Communications Corporation ("Sabre") and must not be reproduced, copied or used, in whole or in part, for any purpose without the prior written consent of Sabre.
 © 2015 Sabre Communications Corporation. All rights reserved.

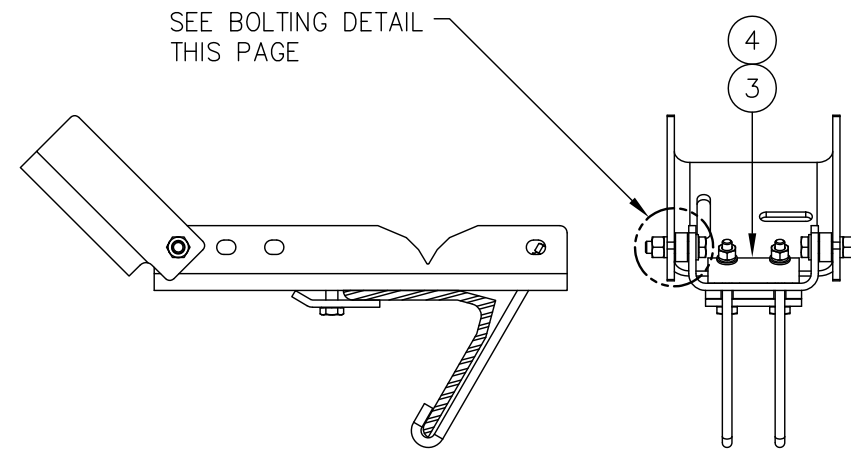
TOWER FACE MOUNTED MICROWAVE DISH STRUT SUPPORT BRACKET (MSSBF-4)					
DATE		04/21/15	SIZE	DRAWING NO.	REV
DRAWN BY		WRF	B	C10153424	0
CHECKED BY		KLE	SCALE	PAGE	
		None	1 OF 2		



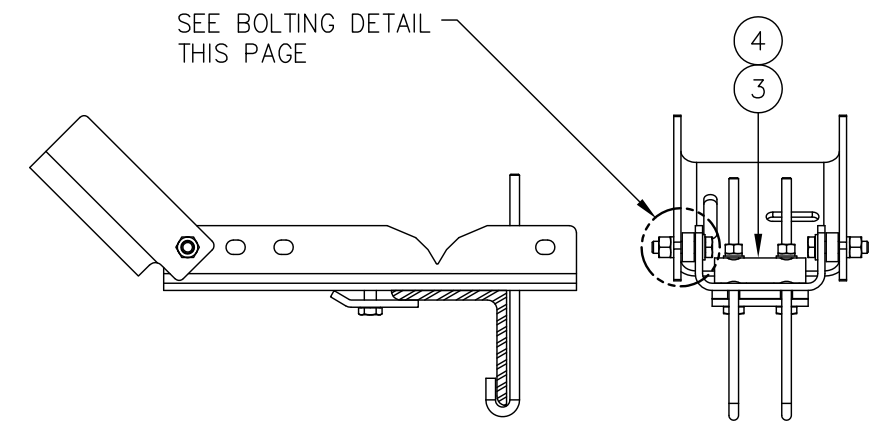
MOUNTING OPTIONS



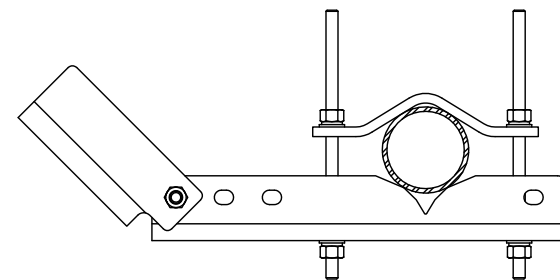
BOLTING DETAIL



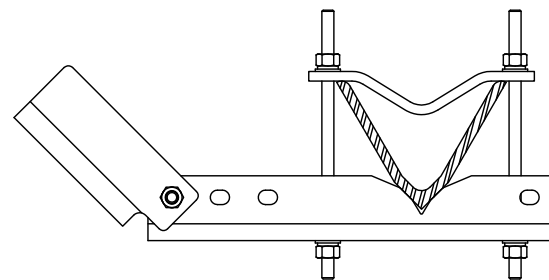
60° ANGLE TOWER LEG



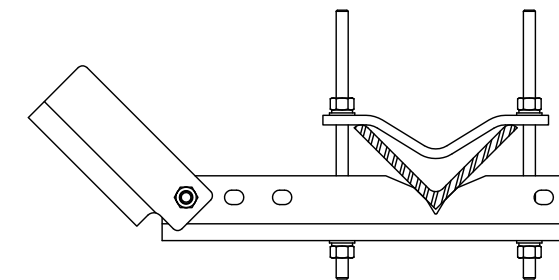
90° ANGLE TOWER LEG



ROUND TOWER LEG



60° ANGLE TOWER LEG



90° ANGLE TOWER LEG

UNLESS OTHERWISE SPECIFIED
ALL DIMENSIONS INCLUDE
FINISHES AND ARE IN INCHES
TOLERANCES: FRACTIONS ± 1/16"
ANGLES ± 1/2 DEG.
DECIMALS ± .010"

MATERIAL:

TOLERANCES DO NOT APPLY
TO RAW MATERIAL



TOWER FACE MOUNTED
MICROWAVE DISH STRUT SUPPORT BRACKET
(MSSBF-4)

REV	DATE	DRWCHK	DESCRIPTION

CONFIDENTIAL
This document and the information
contained herein is the confidential trade
secret property of Sabre Communications
Corporation ("Sabre") and must not be
reproduced, copied or used, in whole or in
part, for any purpose without the prior
written consent of Sabre.
© 2015 Sabre Communications Corporation.
All rights reserved.

DATE	04/21/15	SIZE B	DRAWING NO. C10153424	REV 0
DRAWN BY	WRF			
CHECKED BY	KLE	SCALE None	PAGE 2 OF 2	