

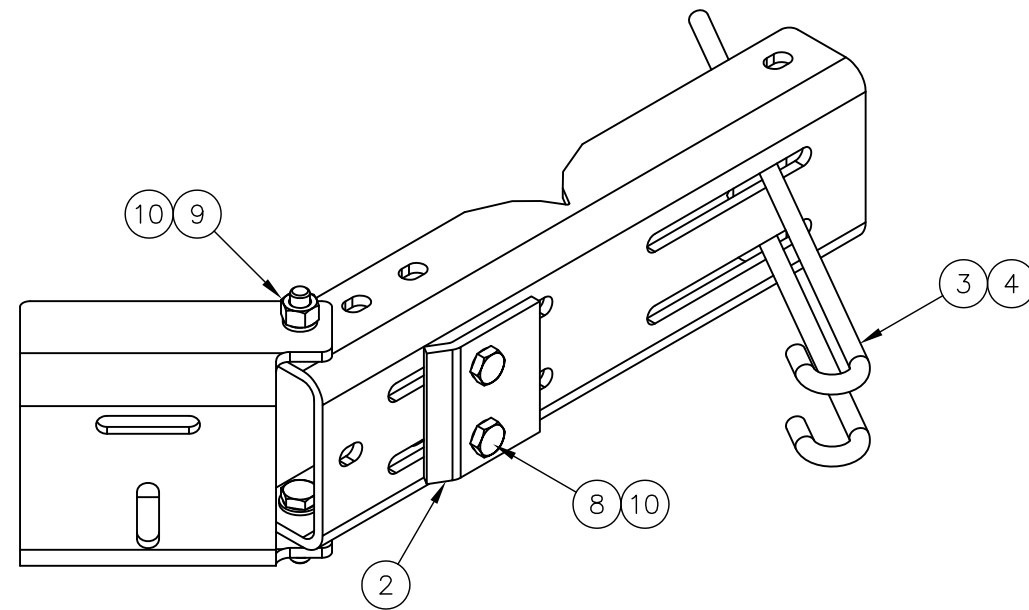


C10153427 (MSSBFX-3) MICROWAVE DISH STRUT SUPPORT BRACKET

ITEM	QTY.	PART NO.	DESCRIPTION	WEIGHT
1.	1	CS03260	UNIVERSAL LEG CHANNEL	29
2.	1	CS03221	CLAMP PLATE	2
3.	1	CS03261	CLAMP TUBE	1
4.	2	C40039026	J-BOLT ASSEMBLY, 5/8 ϕ X 1'-8	5
5.	2	CS03244	8" O.D. TO 16" O.D. CLAMP HALF	12
6.	1	CS03220	CHANNEL, PIVOT BRACKET	13
* 7.	4	C40032305	THREADED ROD ASSEMBLY, 5/8 ϕ X 2'-0	11
8.	2	C40026025	BOLT ASSEMBLY, 5/8 ϕ X 2 1/2 A325	1
9.	2	C40026024	BOLT ASSEMBLY, 5/8 ϕ X 2 1/4 A325	1
10.	4	C40031003	5/8" HARDENED FLATWASHER ASTM F436	1
TOTAL WEIGHT				76

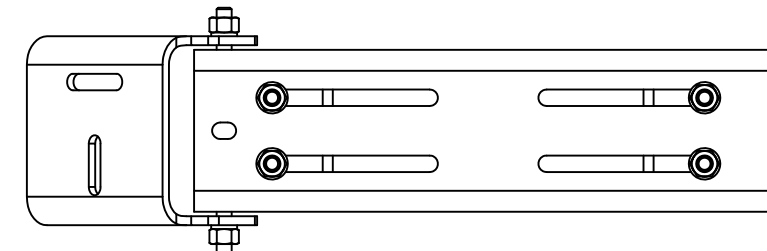
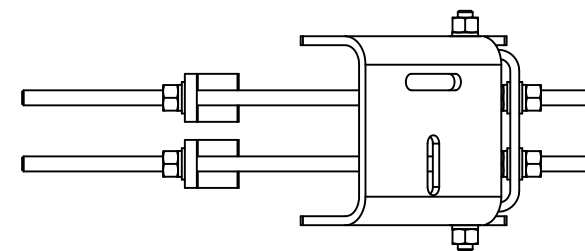
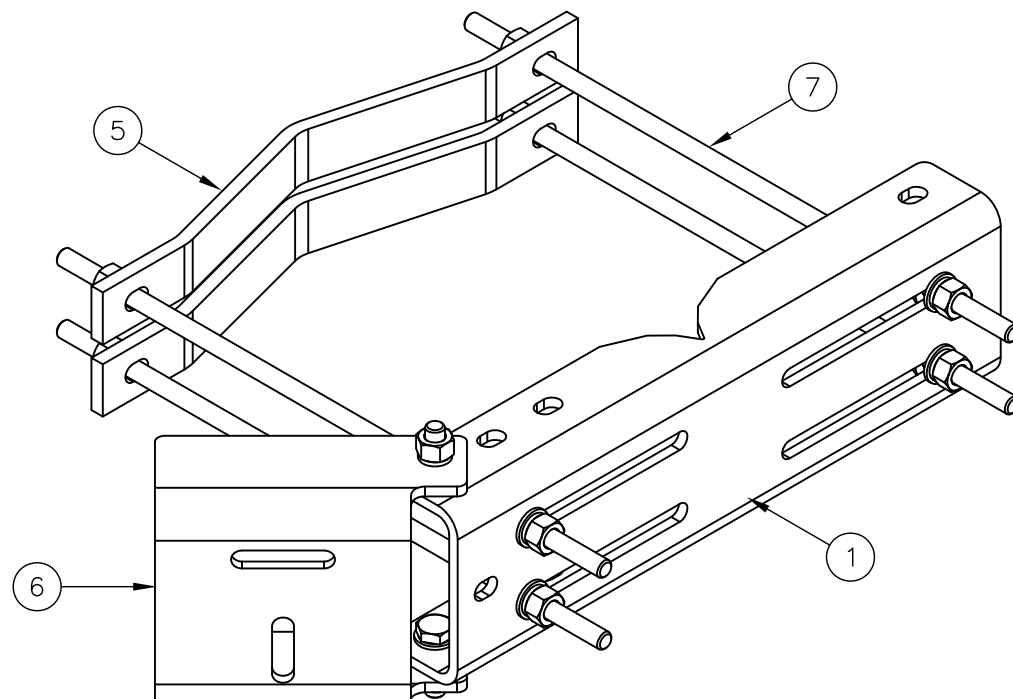
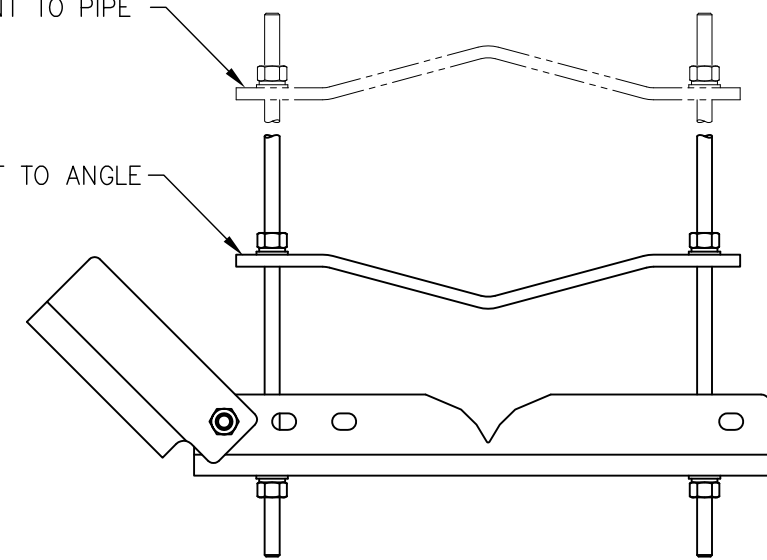
* EACH THREADED ROD ASSEMBLY COMES WITH (3) NUTS, (3) LOCKWASHERS & (3) FLATWASHERS

* EACH THREADED ROD ASSEMBLY COMES WITH (3) NUTS, (3) LOCKWASHERS & (3) FLATWASHERS



ORIENT CLAMP IN THIS DIRECTION FOR ATTACHMENT TO PIPE

ORIENT CLAMP IN THIS DIRECTION FOR ATTACHMENT TO ANGLE



SEE PAGE 2 FOR MOUNTING OPTIONS

THIS MOUNT FITS:
 ROUNDS 8" O.D. TO 16" O.D.
 60° ANGLES 8" TO 16"
 90° ANGLES 6" TO 12"

UNLESS OTHERWISE SPECIFIED
 ALL DIMENSIONS INCLUDE
 FINISHES AND ARE IN INCHES
 TOLERANCES: FRACTIONS $\pm 1/16"$
 ANGLES $\pm 1/2$ DEG.
 DECIMALS $\pm .010"$

MATERIAL:
 TOLERANCES DO NOT APPLY
 TO RAW MATERIAL



MICROWAVE DISH STRUT SUPPORT BRACKET
 (MSSBFX-3)

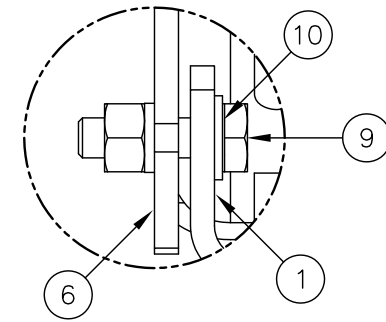
REV	DATE	DRW/CHK	DESCRIPTION

CONFIDENTIAL
 This document and the information contained herein is the confidential trade secret property of Sabre Communications Corporation ("Sabre") and must not be reproduced, copied or used, in whole or in part, for any purpose without the prior written consent of Sabre.
 © 2015 Sabre Communications Corporation. All rights reserved.

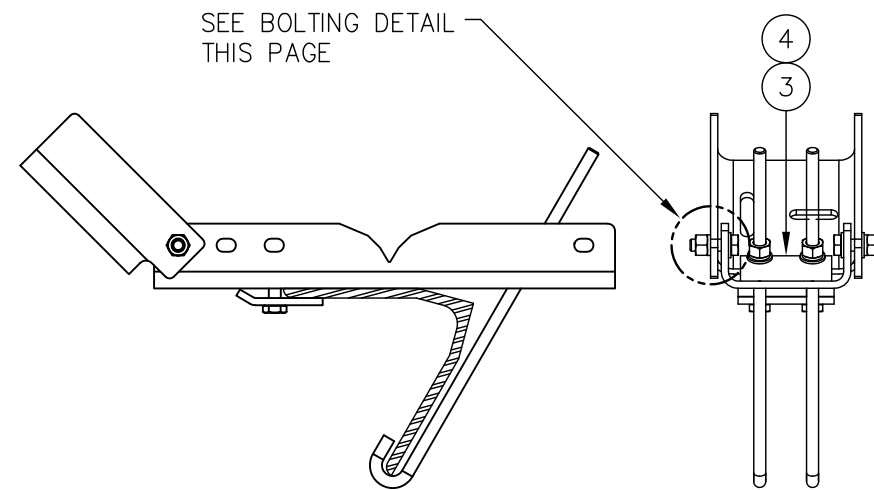
DATE	05/30/15	SIZE	B	DRAWING NO.	C10153427	REV	0
DRAWN BY	WRF	SCALE	None	PAGE	1 OF 2		
CHECKED BY	KLE						



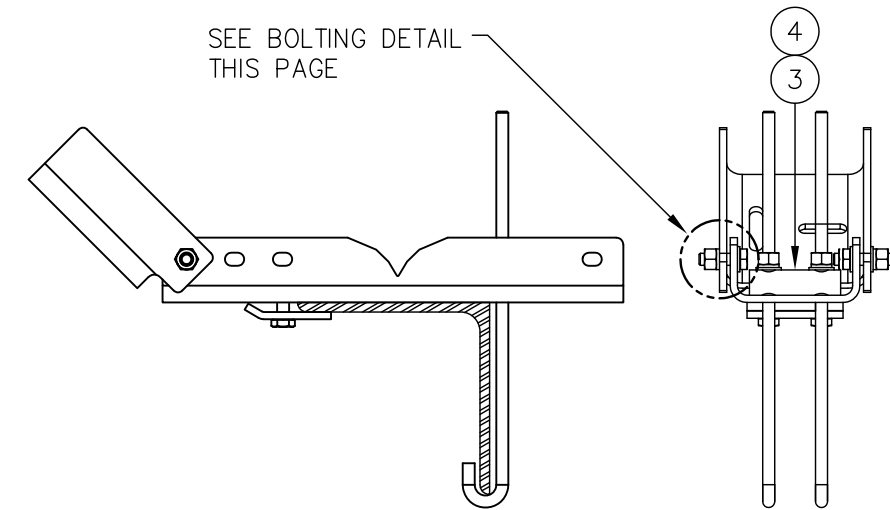
OPTIONAL MOUNTING



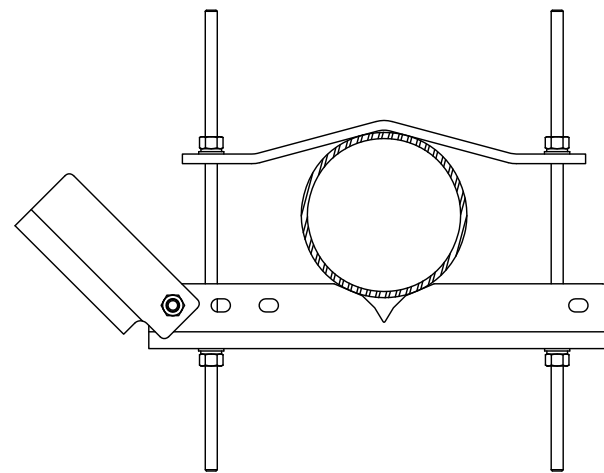
BOLTING DETAIL



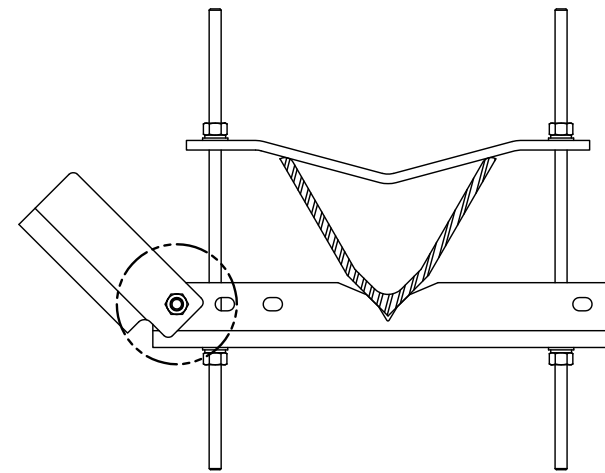
60° ANGLE TOWER LEG



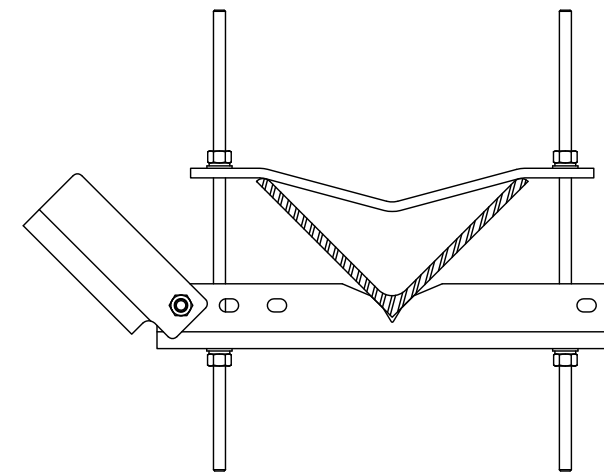
90° ANGLE TOWER LEG



ROUND TOWER LEG



60° ANGLE TOWER LEG



90° ANGLE TOWER LEG

UNLESS OTHERWISE SPECIFIED
ALL DIMENSIONS INCLUDE
FINISHES AND ARE IN INCHES

TOLERANCES: FRACTIONS $\pm 1/16"$
ANGLES $\pm 1/2$ DEG.
DECIMALS $\pm .010"$

MATERIAL:

TOLERANCES DO NOT APPLY
TO RAW MATERIAL



MICROWAVE DISH STRUT SUPPORT BRACKET
(MSSBFX-3)

REV	DATE	DRWCHK	DESCRIPTION

CONFIDENTIAL

This document and the information contained herein is the confidential trade secret property of Sabre Communications Corporation ("Sabre") and must not be reproduced, copied or used, in whole or in part, for any purpose without the prior written consent of Sabre.

© 2015 Sabre Communications Corporation. All rights reserved.

DATE	05/30/15	SIZE	B	DRAWING NO.	C10153427	REV	0
DRAWN BY	WRF	CHECKED BY	KLE	SCALE	None	PAGE	2 OF 2