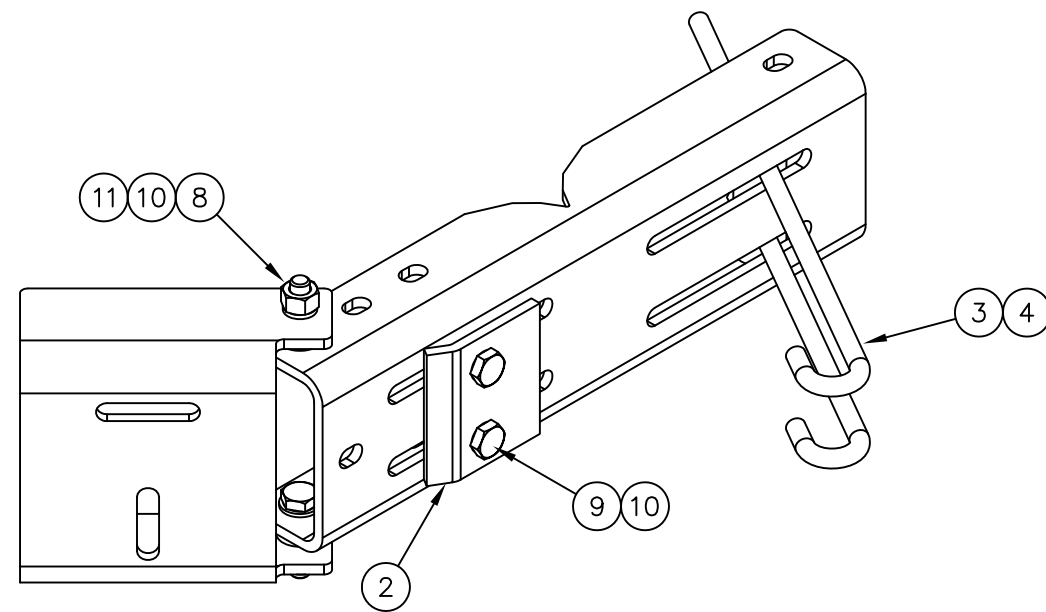




C10153428 (MSSBFX-4) MICROWAVE DISH STRUT SUPPORT BRACKET

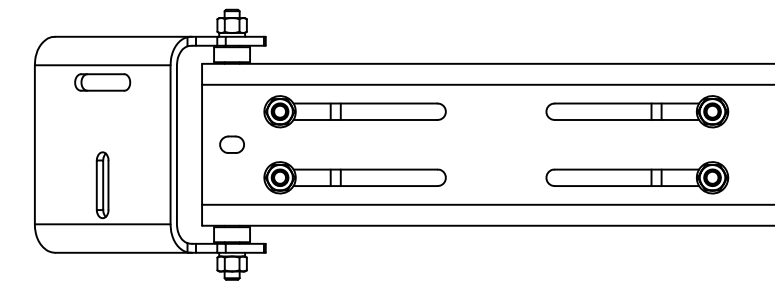
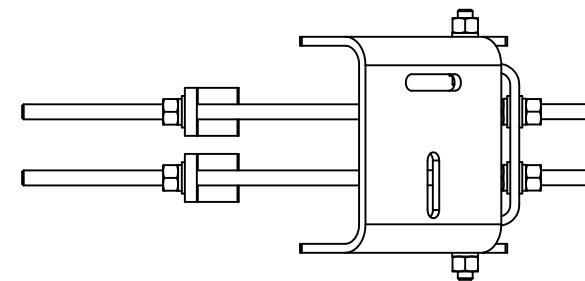
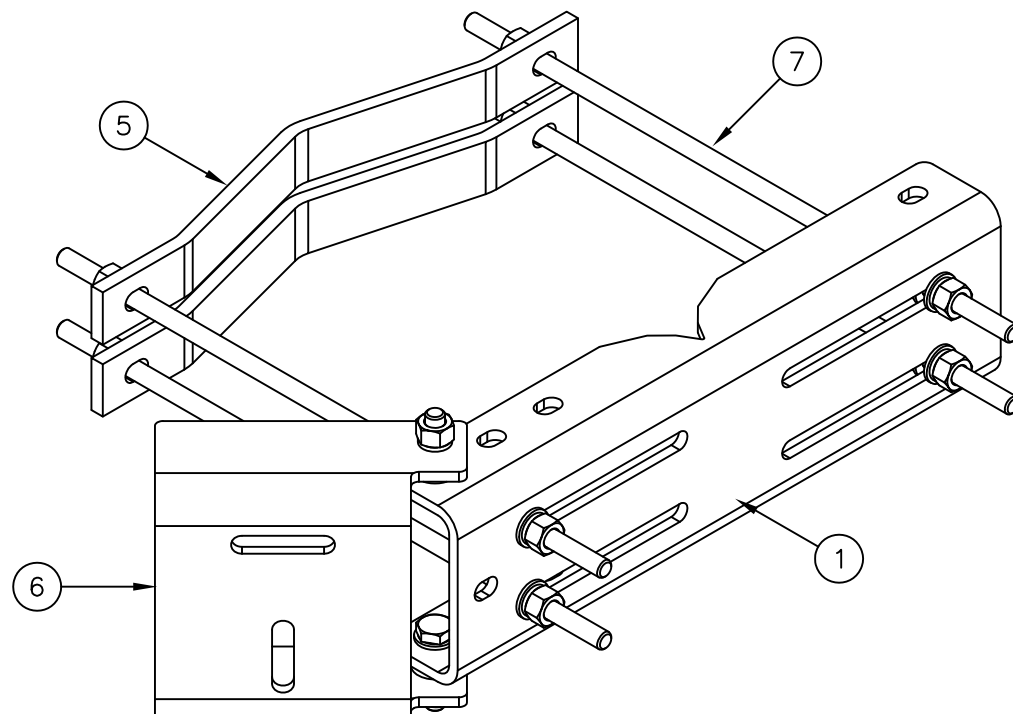
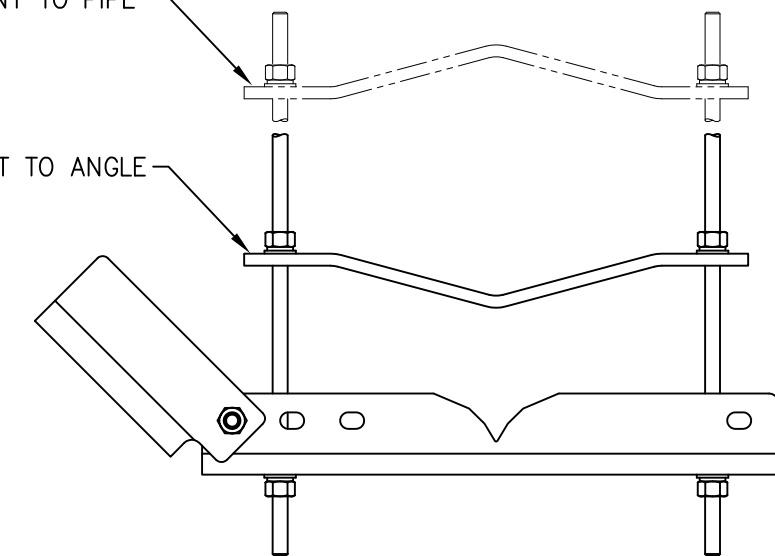
| ITEM | QTY. | PART NO. | DESCRIPTION | WEIGHT |
|--------------|------|-----------|--|--------|
| 1. | 1 | CS03260 | UNIVERSAL LEG CHANNEL | 29 |
| 2. | 1 | CS03221 | CLAMP PLATE | 2 |
| 3. | 1 | CS03261 | CLAMP TUBE | 1 |
| 4. | 2 | C40039026 | J-BOLT ASSEMBLY, 5/8 ϕ X 1'-8 | 5 |
| 5. | 2 | CS03244 | 8" O.D. TO 16" O.D. CLAMP HALF | 12 |
| 6. | 1 | CS03254 | CHANNEL, PIVOT BRACKET | 14 |
| * 7. | 4 | C40032305 | THREADED ROD ASSEMBLY, 5/8 ϕ X 2'-0 | 11 |
| 8. | 2 | C40026026 | BOLT ASSEMBLY, 5/8 ϕ X 2 3/4 A325 | 1 |
| 9. | 2 | C40026025 | BOLT ASSEMBLY, 5/8 ϕ X 2 1/2 A325 | 1 |
| 10. | 4 | C40031003 | 5/8" HARDENED FLATWASHER ASTM F436 | 1 |
| 11. | 2 | C40047019 | RINGFILL, 5/8 THK FOR 5/8 ϕ BOLT | 1 |
| TOTAL WEIGHT | | | | 78 |

* EACH THREADED ROD ASSEMBLY COMES WITH (3) NUTS, (3) LOCKWASHERS & (3) FLATWASHERS



ORIENT CLAMP IN THIS DIRECTION FOR ATTACHMENT TO PIPE

ORIENT CLAMP IN THIS DIRECTION FOR ATTACHMENT TO ANGLE



SEE PAGE 2 FOR MOUNTING OPTIONS

THIS MOUNT FITS:
 ROUNDS 8" O.D. TO 16" O.D.
 60° ANGLES 8" TO 16"
 90° ANGLES 6" TO 12"

UNLESS OTHERWISE SPECIFIED
 ALL DIMENSIONS INCLUDE
 FINISHES AND ARE IN INCHES
 TOLERANCES: FRACTIONS $\pm 1/16"$
 ANGLES $\pm 1/2$ DEG.
 DECIMALS $\pm .010"$

MATERIAL:
 TOLERANCES DO NOT APPLY
 TO RAW MATERIAL



MICROWAVE DISH STRUT SUPPORT BRACKET
 (MSSBFX-4)

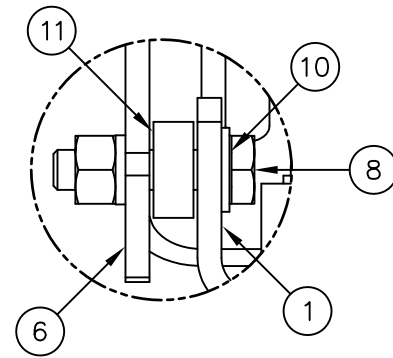
| REV | DATE | DRWCHK | DESCRIPTION |
|-----|------|--------|-------------|
| | | | |
| | | | |
| | | | |
| | | | |
| | | | |
| | | | |
| | | | |
| | | | |
| | | | |

CONFIDENTIAL
 This document and the information contained herein is the confidential trade secret property of Sabre Communications Corporation ("Sabre") and must not be reproduced, copied or used, in whole or in part, for any purpose without the prior written consent of Sabre.
 © 2015 Sabre Communications Corporation. All rights reserved.

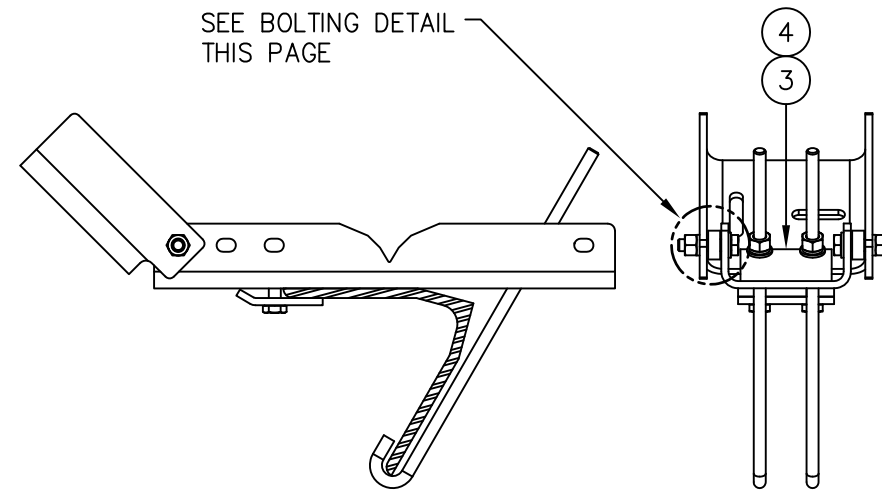
| DATE | 05/30/15 | SIZE | B | DRAWING NO. | C10153428 | REV | 0 |
|------------|----------|-------|------|-------------|-----------|-----|---|
| DRAWN BY | WRF | SCALE | None | PAGE | 1 OF 2 | | |
| CHECKED BY | KLE | | | | | | |



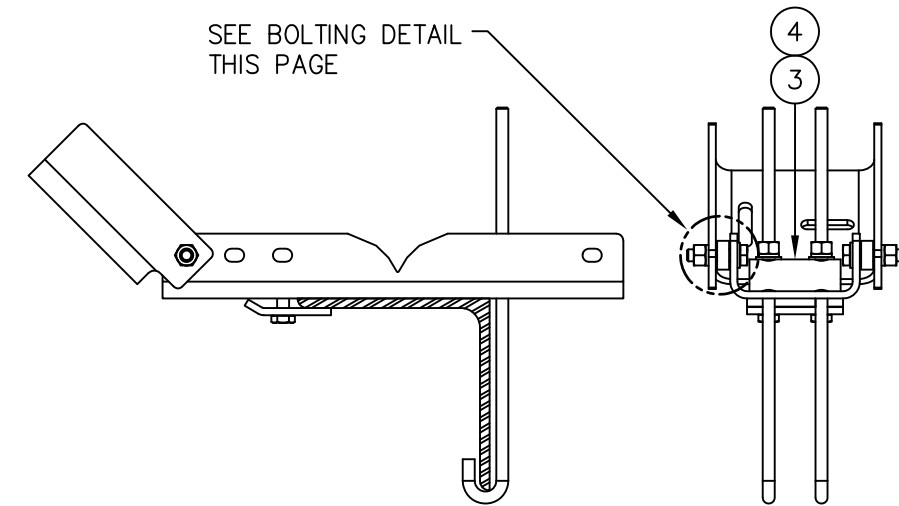
OPTIONAL MOUNTING



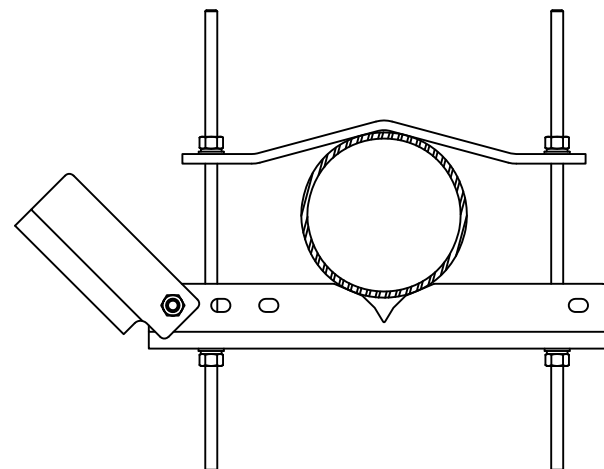
BOLTING DETAIL



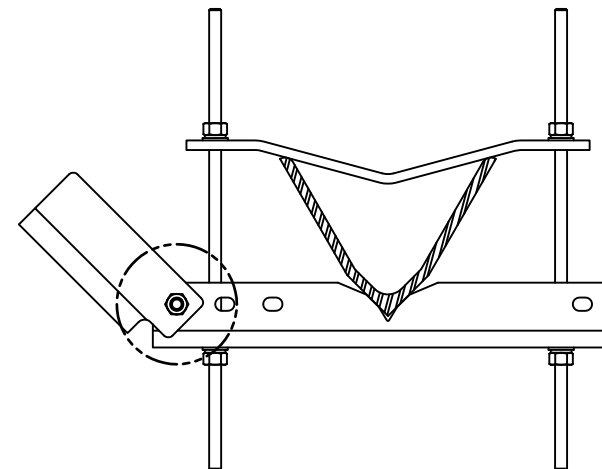
60° ANGLE TOWER LEG



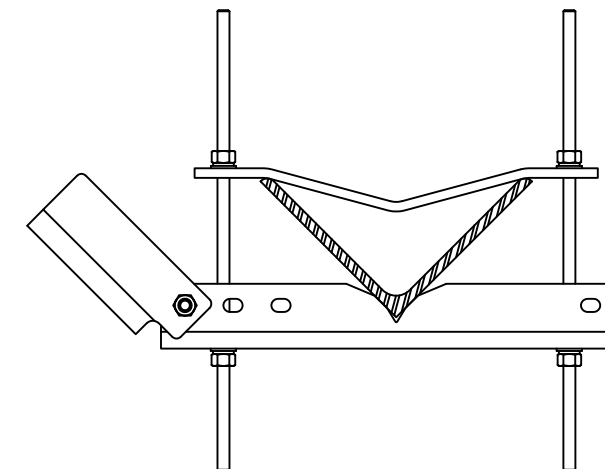
90° ANGLE TOWER LEG



ROUND TOWER LEG



60° ANGLE TOWER LEG



90° ANGLE TOWER LEG

UNLESS OTHERWISE SPECIFIED
ALL DIMENSIONS INCLUDE
FINISHES AND ARE IN INCHES
TOLERANCES: FRACTIONS $\pm 1/16"$
ANGLES $\pm 1/2$ DEG.
DECIMALS $\pm .010"$

MATERIAL:
TOLERANCES DO NOT APPLY
TO RAW MATERIAL



MICROWAVE DISH STRUT SUPPORT BRACKET
(MSSBFX-4)

| REV | DATE | DRWCHK | DESCRIPTION |
|-----|------|--------|-------------|
| | | | |
| | | | |
| | | | |
| | | | |
| | | | |
| | | | |
| | | | |
| | | | |
| | | | |
| | | | |

CONFIDENTIAL
This document and the information
contained herein is the confidential trade
secret property of Sabre Communications
Corporation ("Sabre") and must not be
reproduced, copied or used, in whole or in
part, for any purpose without the prior
written consent of Sabre.
© 2015 Sabre Communications Corporation.
All rights reserved.

| | | | | | | | |
|----------|----------|------------|-----|-------------|-----------|------|--------|
| DATE | 05/30/15 | SIZE | B | DRAWING NO. | C10153428 | REV | 0 |
| DRAWN BY | WRF | CHECKED BY | KLE | SCALE | None | PAGE | 2 OF 2 |