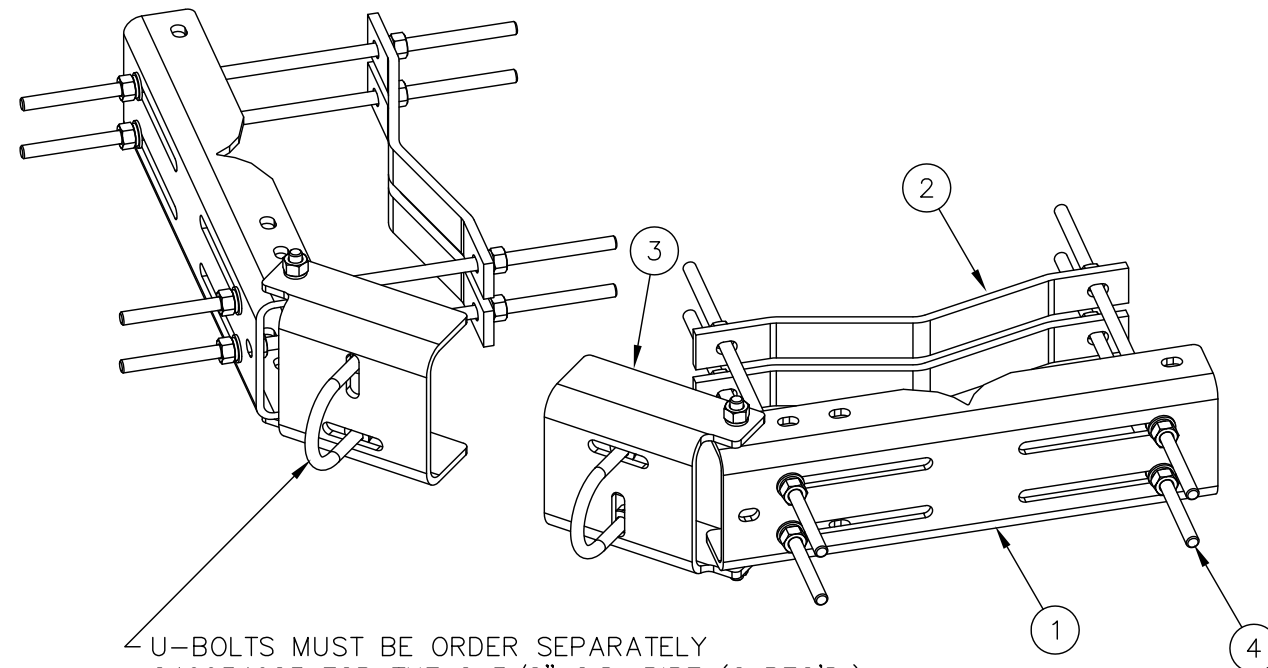




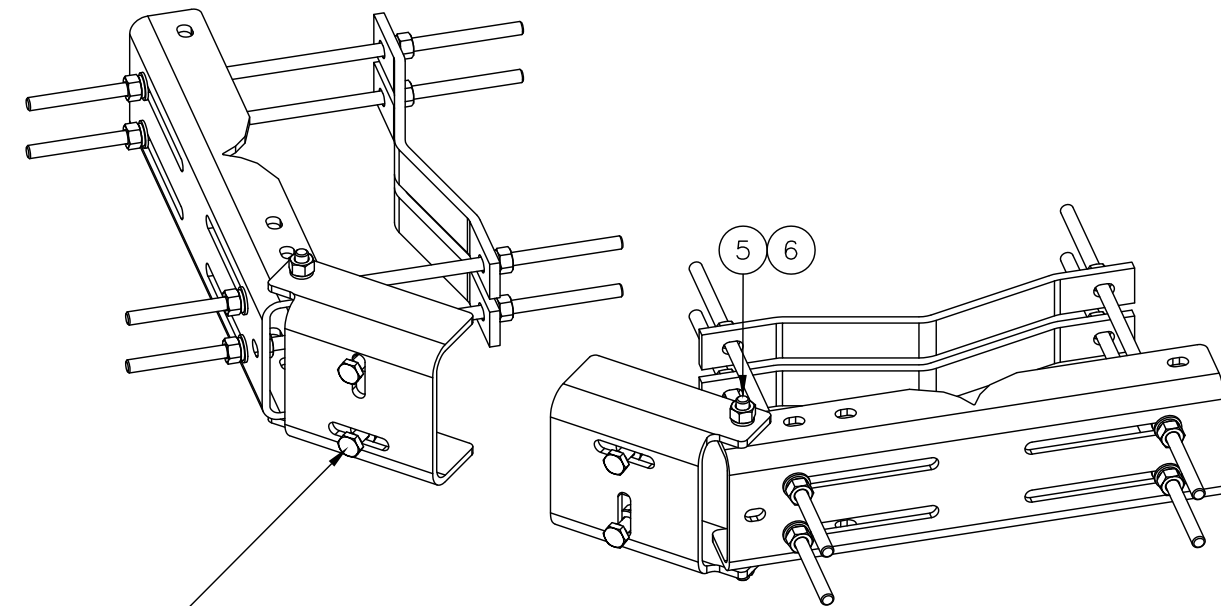
C10153429 (2MSSBFX3) MICROWAVE DISH STRUT SUPPORT BRACKET				
ITEM	QTY.	PART NO.	DESCRIPTION	WEIGHT
1.	2	CS03260	UNIVERSAL LEG CHANNEL	59
2.	4	CS03244	8" O.D. TO 16" O.D. CLAMP HALF	24
3.	2	CS03220	CHANNEL, PIVOT BRACKET	26
4.	8	C40032305	THREADED ROD ASSEMBLY, 5/8 ϕ X 2'-0	11
5.	4	C40026024	BOLT ASSEMBLY, 5/8 ϕ X 2 1/4 A325	2
6.	4	C40031003	5/8" HARDENED FLATWASHER ASTM F436	1
			TOTAL WEIGHT	123



U-BOLTS MUST BE ORDER SEPARATELY
 C40034023 FOR THE 2 3/8" O.D. PIPE (2 REQ'D.)
 C40034025 FOR THE 2 7/8" O.D. PIPE (2 REQ'D.)
 C40034028 FOR THE 3 1/2" O.D. PIPE (2 REQ'D.)

OPTION 1

SET-UP FOR FACE MOUNTED PIPE
 (U-BOLTS MUST BE ORDERED SEPARATELY)



BOLTS & FLATWASHERS MUST BE ORDER SEPARATELY
 C40026270 5/8 X 2 A325 FULL THREAD BOLT ASSEMBLY (4 REQ'D.)
 C40031003 5/8 ϕ HARDENED FLATWASHER F436 (4 REQ'D.)

OPTION 2

SET-UP FOR FACE MOUNTED ANGLE
 (MOUNTING HARDWARE MUST BE ORDERED SEPARATELY)

SEE PAGE 2 FOR MOUNTING OPTIONS

UNLESS OTHERWISE SPECIFIED ALL DIMENSIONS INCLUDE FINISHES AND ARE IN INCHES			MATERIAL:
TOLERANCES: FRACTIONS $\pm 1/16"$ ANGLES $\pm 1/2$ DEG. DECIMALS $\pm .010"$			TOLERANCES DO NOT APPLY TO RAW MATERIAL
REV	DATE	DRWCHK	DESCRIPTION

Sabre Industries™
Towers and Poles

CONFIDENTIAL

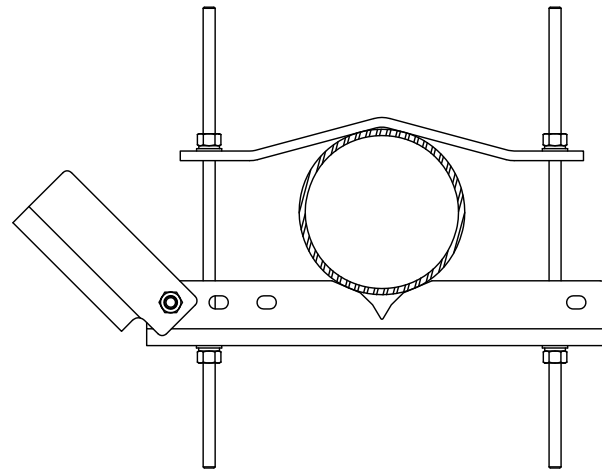
This document and the information contained herein is the confidential trade secret property of Sabre Communications Corporation ("Sabre") and must not be reproduced, copied or used, in whole or in part, for any purpose without the prior written consent of Sabre.
 © 2015 Sabre Communications Corporation. All rights reserved.

TOWER FACE MOUNTED MICROWAVE DISH STRUT SUPPORT BRACKET (2MSSBFX3)			
DATE	06/23/15	SIZE	B
DRAWN BY	WRF	DRAWING NO.	C10153429
CHECKED BY	KLE	SCALE	None
		REV	0
		PAGE	1 OF 2

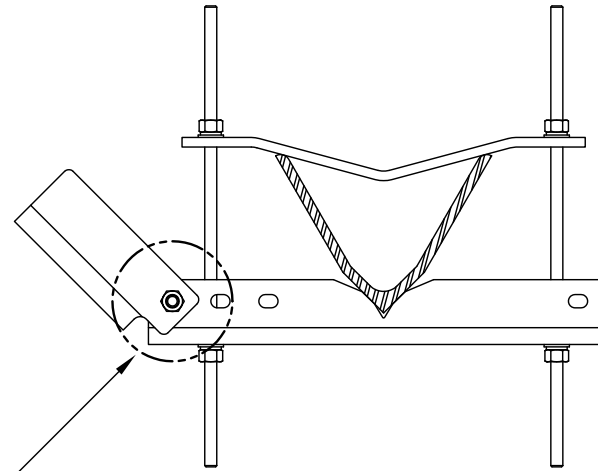
THIS MOUNT FITS:
 ROUNDS 8" O.D. TO 16" O.D.
 60° ANGLES 8" TO 16"
 90° ANGLES 6" TO 12"



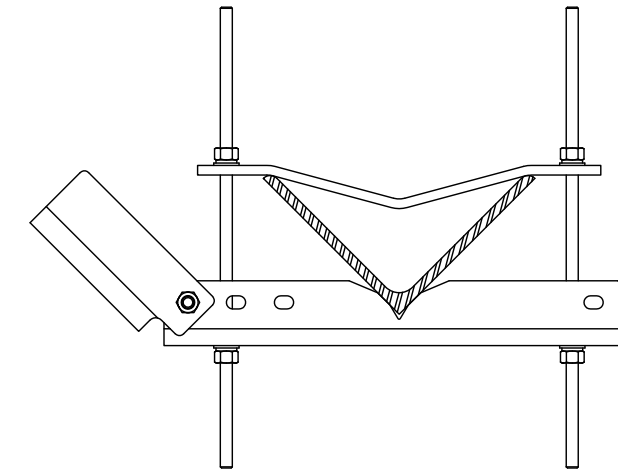
MOUNTING OPTIONS



ROUND TOWER LEG

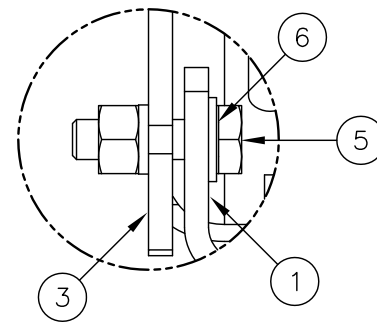


60° ANGLE TOWER LEG



90° ANGLE TOWER LEG

SEE BOLTING DETAIL
THIS PAGE (TYP)



BOLTING DETAIL

<p>UNLESS OTHERWISE SPECIFIED ALL DIMENSIONS INCLUDE FINISHES AND ARE IN INCHES</p> <p>TOLERANCES: FRACTIONS $\pm 1/16"$ ANGLES $\pm 1/2$ DEG. DECIMALS $\pm .010"$</p>	<p>MATERIAL:</p> <p>TOLERANCES DO NOT APPLY TO RAW MATERIAL</p>
--	---



**TOWER FACE MOUNTED
MICROWAVE DISH STRUT SUPPORT BRACKET
(2MSSBFX3)**

REV	DATE	DRW/CHK	DESCRIPTION

CONFIDENTIAL

This document and the information contained herein is the confidential trade secret property of Sabre Communications Corporation ("Sabre") and must not be reproduced, copied or used, in whole or in part, for any purpose without the prior written consent of Sabre.

© 2015 Sabre Communications Corporation. All rights reserved.

DATE	06/23/15	SIZE	DRAWING NO.	REV
DRAWN BY	WRF	B	C10153429	0
CHECKED BY	KLE	SCALE	None	PAGE
				2 OF 2