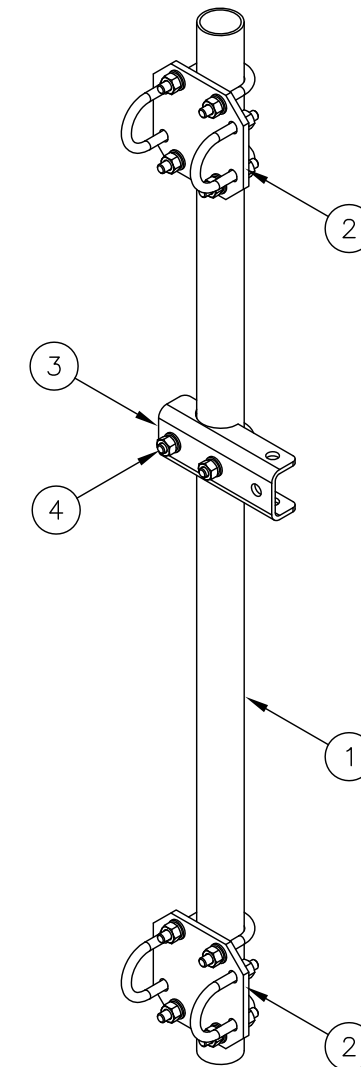
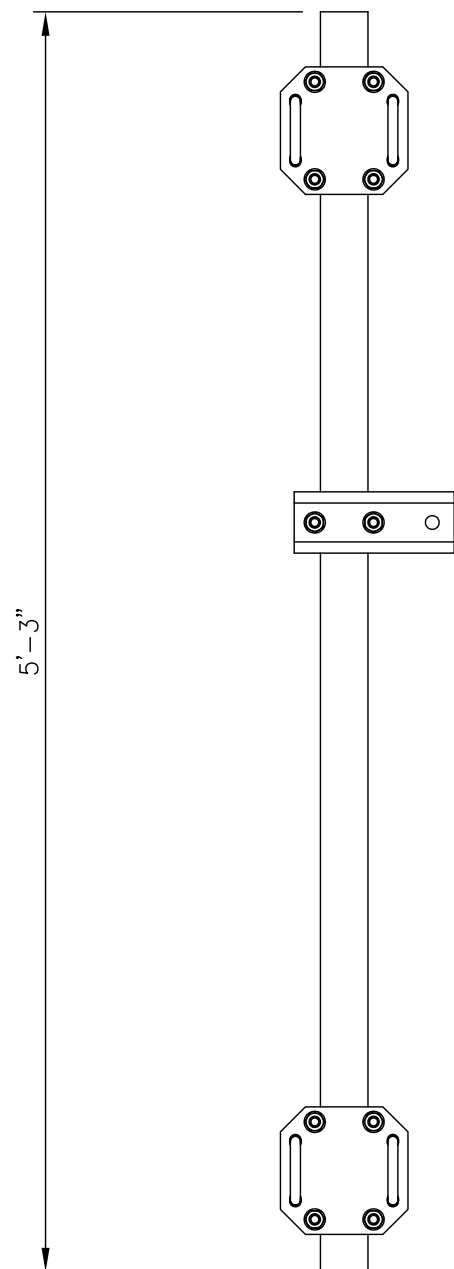
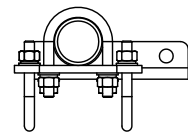




C10153431 (FMSS-2) TOWER FACE MOUNT STRUT SUPPORT

ITEM	QTY.	PART NO.	DESCRIPTION	WEIGHT
1.	1	CS03265	PIPE, 2 3/8 O.D. X .154 X 5'-3	20
* 2.	2	C10902011	CROSSOVER PLATE KIT, 2 3/8 TO 2 3/8	14
3.	1	CS03202	TOWER FACE MOUNT STIFFARM	3
4.	1	C40034136	U-BOLT ASSEMBLY, 1/2 X 2 15/16 C-C	1
TOTAL WEIGHT				38

\* EACH C10902011 CROSSOVER PLATE KIT CONSISTS OF . . .  
 (1) CS03115 CROSSOVER PLATE  
 (4) C40034139 U-BOLT ASSEMBLY, 1/2  $\phi$  X 2 15/16 C-C



UNLESS OTHERWISE SPECIFIED  
 ALL DIMENSIONS INCLUDE  
 FINISHES AND ARE IN INCHES

TOLERANCES: FRACTIONS  $\pm 1/16$ "  
 ANGLES  $\pm 1/2$  DEG.  
 DECIMALS  $\pm .010$ "

MATERIAL:

TOLERANCES DO NOT APPLY  
 TO RAW MATERIAL



TOWER FACE MOUNT STRUT SUPPORT  
 (2 3/8" O.D. TO 2 3/8" O.D.)  
 (FMSS-2)

REV	DATE	DRW	CHK	DESCRIPTION

**CONFIDENTIAL**  
 This document and the information contained herein is the confidential trade secret property of Sabre Communications Corporation ("Sabre") and must not be reproduced, copied or used, in whole or in part, for any purpose without the prior written consent of Sabre.  
 © 2015 Sabre Communications Corporation. All rights reserved.

DATE	05/14/15	SIZE	B	DRAWING NO.	C10153431	REV	0
DRAWN BY	WRF	SCALE		PAGE		None	
CHECKED BY	KLE	None		1 OF 1		None	