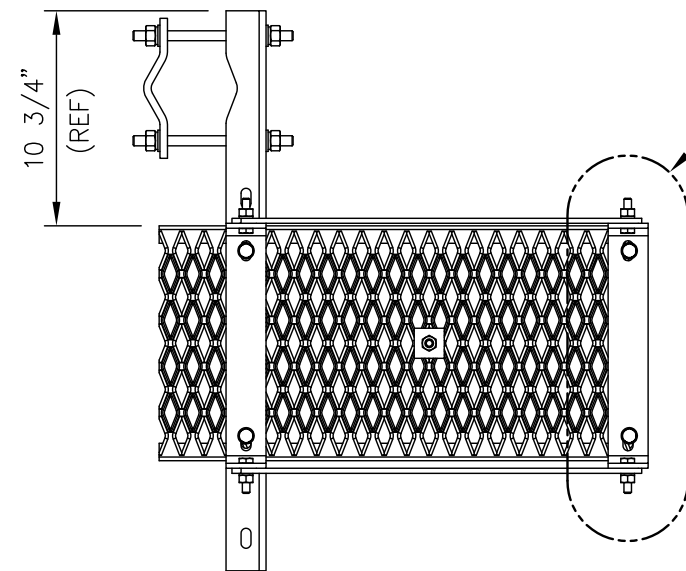


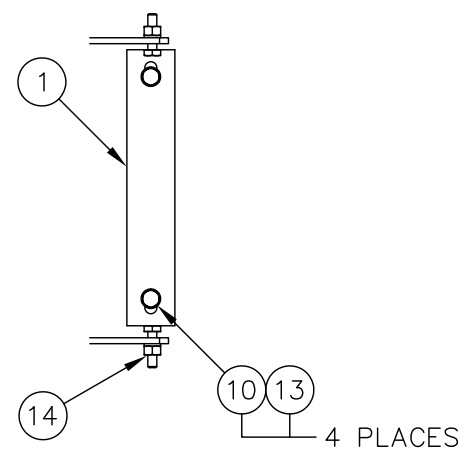


C10153435 (MWS2) MICROWAVE DISH WAVEGUIDE SHIELD

ITEM	QTY.	PART NO.	DESCRIPTION	WEIGHT
1.	2	CS03214	FLAT, BACKING PLATE	3
2.	2	CS03215	FLAT, END BRACKET	4
3.	1	CS03216	PLATE, BRACKET	14
4.	2	CS03217	FLAT, ADJUSTMENT	4
5.	1	C20137202	SAFETY GRATING, 11 3/4 X 2'-0	14
6.	4	C40048007	SQUARE WASHER, 3/16 X 1 1/2 X 0'-1 1/2	1
7.	2	CS03219	FLAT, 2 HOLE ADAPTOR	2
8.	4	C40032025	THREADED ROD ASSEMBLY, 1/2 ϕ X 0'-8	4
9.	1	C40982003	THREADED ROD, 3/8 ϕ X 2'-0	1
10.	10	C40031001	3/8" HARDENED FLATWASHER ASTM F436	1
11.	4	C40030010	3/8" LOCKWASHER ASTM A153	1
12.	4	C40027101	3/8" HEAVY HEX NUT ASTM A563 GRADE A (FH)	1
13.	4	C40024006	BOLT ASSEMBLY, 3/8 ϕ X 2 GR5	1
14.	8	C40024004	BOLT ASSEMBLY, 3/8 ϕ X 1 1/2 GR5	1
TOTAL WEIGHT				52



SEE DETAIL A

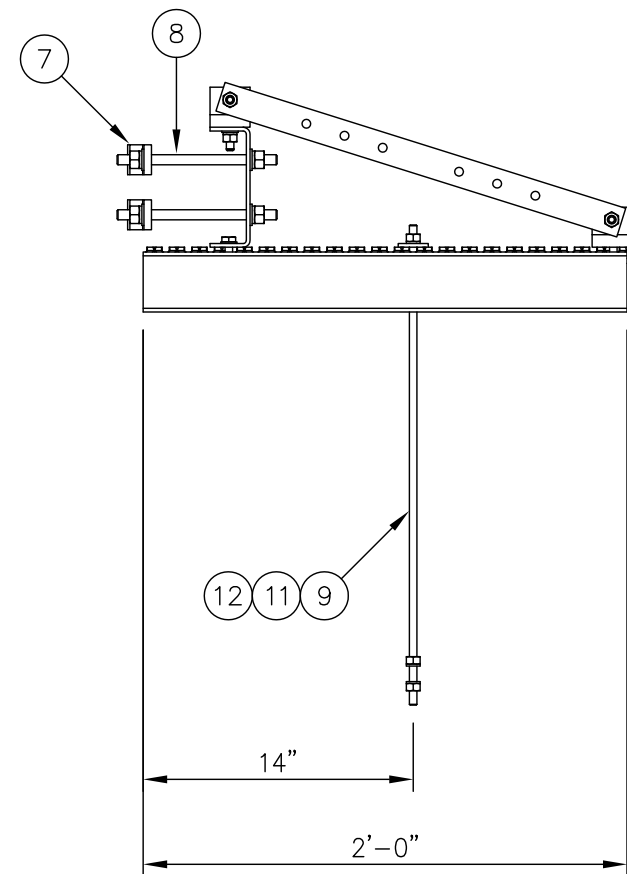


DETAIL A

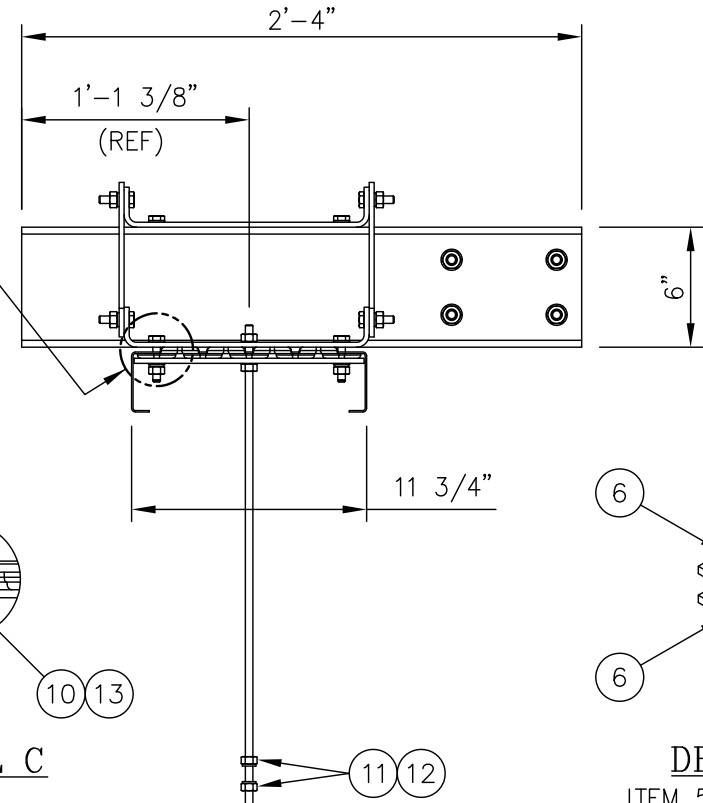
ITEMS 2 AND 5 NOT SHOWN

*

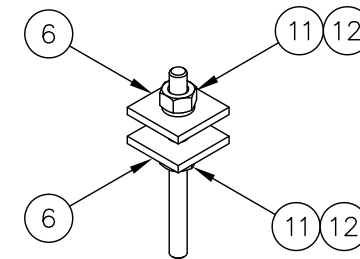
* EACH THREADED ROD ASSEMBLY COMES WITH (2) NUTS, (2) LOCKWASHERS & (2) FLATWASHERS



SEE DETAIL C

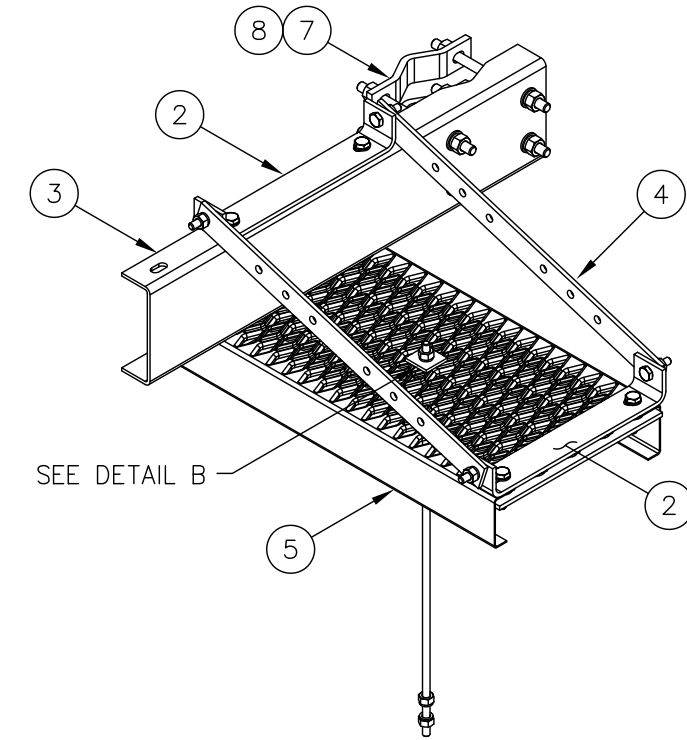


DETAIL C



DETAIL B

ITEM 5 NOT SHOWN



ISOMETRIC VIEW

UNLESS OTHERWISE SPECIFIED ALL DIMENSIONS INCLUDE FINISHES AND ARE IN INCHES
TOLERANCES: FRACTIONS $\pm 1/16$ "
ANGLES $\pm 1/2$ DEG.
DECIMALS $\pm .010$ "

MATERIAL:
TOLERANCES DO NOT APPLY TO RAW MATERIAL



CONFIDENTIAL
This document and the information contained herein is the confidential trade secret property of Sabre Communications Corporation ("Sabre") and must not be reproduced, copied or used, in whole or in part, for any purpose without the prior written consent of Sabre.
© 2015 Sabre Communications Corporation. All rights reserved.

MICROWAVE DISH WAVEGUIDE SHIELD
(12" X 24" SHIELD)
(MWS2)

REV	DATE	DRWCHK	DESCRIPTION

DATE	05/13/15	SIZE	B	DRAWING NO.	C10153435	REV	0
DRAWN BY	WRF	SCALE	None	PAGE	1 OF 1		
CHECKED BY	KLE						

THIS MOUNT FITS:
ROUNDS UP TO 4 1/2" O.D.