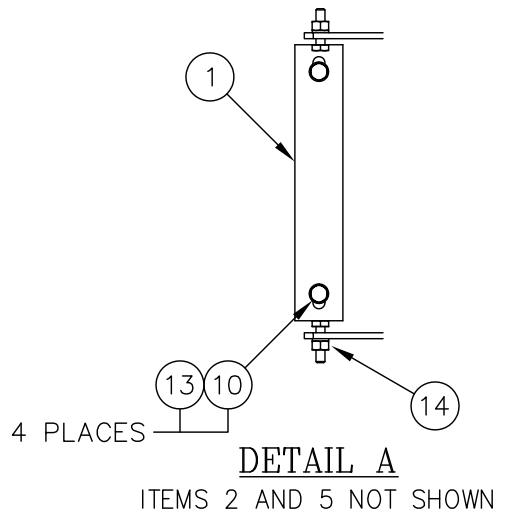
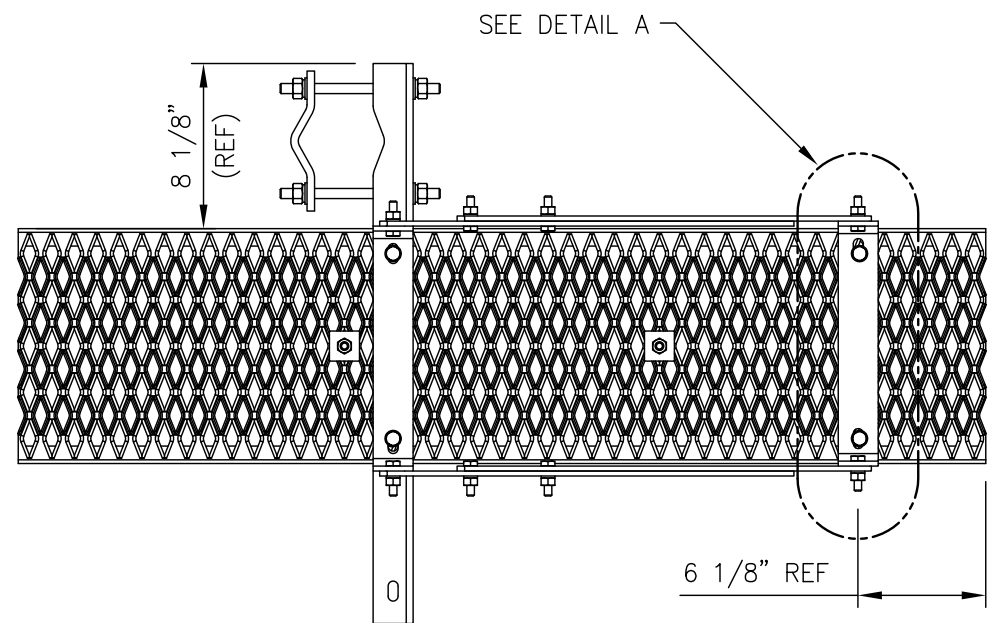




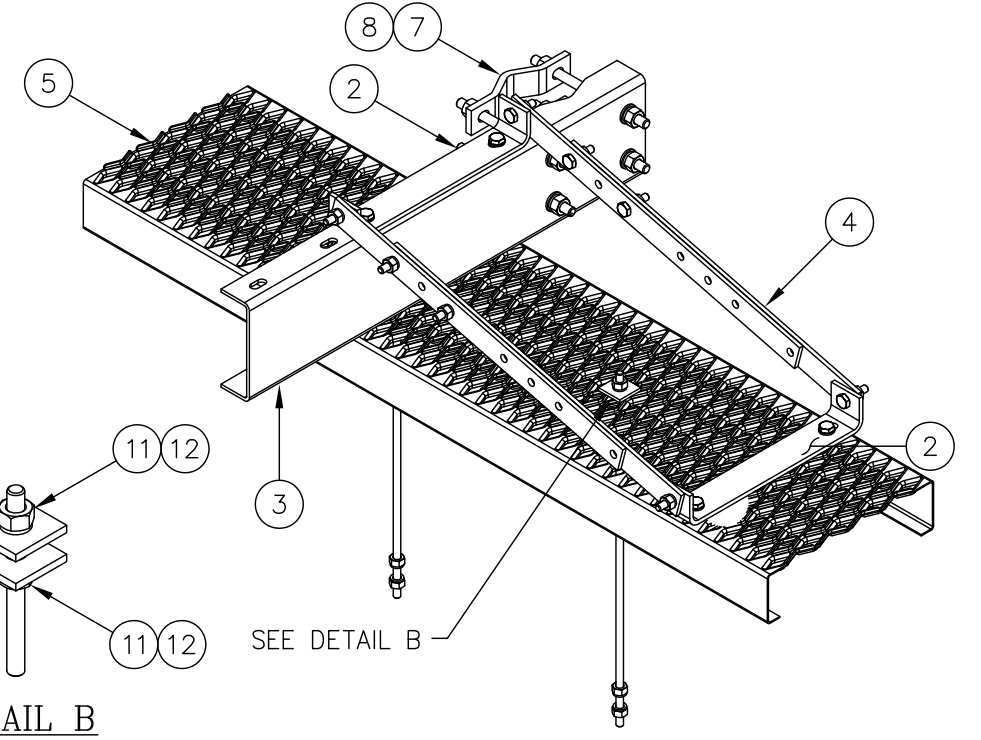
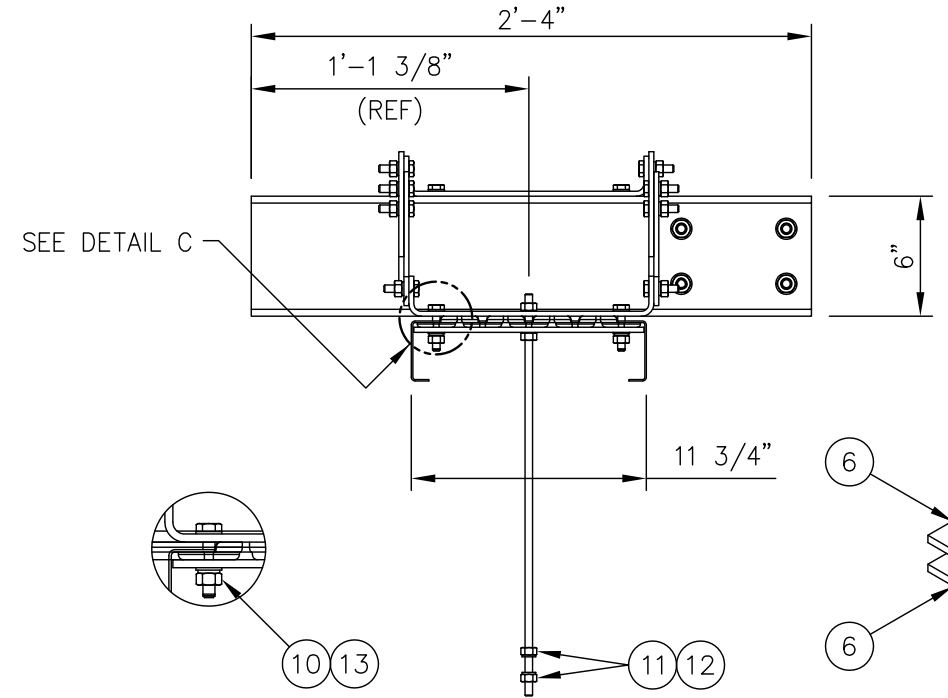
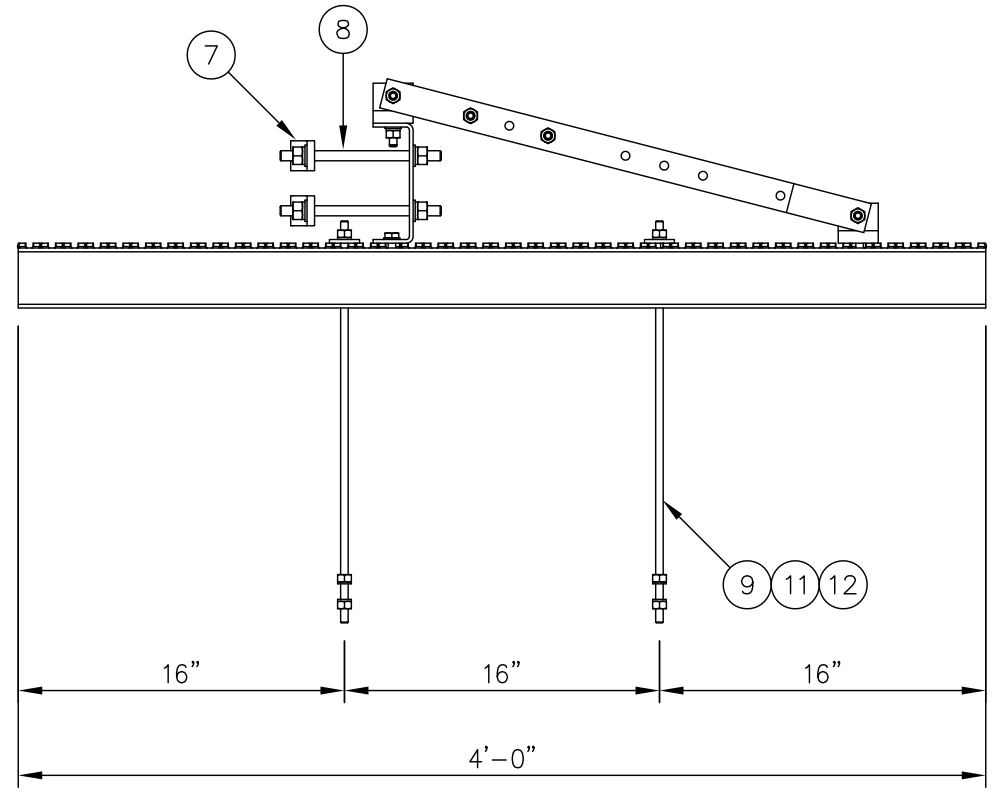
C10153436 (MWS4) MICROWAVE DISH WAVEGUIDE SHIELD

ITEM	QTY.	PART NO.	DESCRIPTION	WEIGHT
1.	2	CS03214	FLAT, BACKING PLATE	3
2.	2	CS03215	FLAT, END BRACKET	4
3.	1	CS03216	PLATE, BRACKET	14
4.	4	CS03217	FLAT, ADJUSTMENT	9
5.	1	C20137311	SAFETY GRATING, 11 3/4 X 4'-0	28
6.	4	C40048007	SQUARE WASHER, 3/16 X 1 1/2 X 0'-1 1/2	1
7.	2	CS03219	FLAT, 2 HOLE ADAPTOR	2
8.	4	C40032025	THREADED ROD ASSEMBLY, 1/2 ϕ X 0'-8	4
9.	2	C40982003	THREADED ROD, 3/8 ϕ X 2'-0	2
10.	12	C40031001	3/8" HARDENED FLATWASHER ASTM F436	1
11.	8	C40030010	3/8" LOCKWASHER ASTM A153	1
12.	8	C40027101	3/8" HEAVY HEX NUT ASTM A563 GRADE A (FH)	1
13.	4	C40024006	BOLT ASSEMBLY, 3/8 ϕ X 2 GR5	1
14.	10	C40024004	BOLT ASSEMBLY, 3/8 ϕ X 1 1/2 GR5	1
TOTAL WEIGHT				72



*

* EACH THREADED ROD ASSEMBLY COMES WITH (2) NUTS, (2) LOCKWASHERS & (2) FLATWASHERS



DETAIL C

DETAIL B
ITEM 5 NOT SHOWN

ISOMETRIC VIEW

UNLESS OTHERWISE SPECIFIED
ALL DIMENSIONS INCLUDE
FINISHES AND ARE IN INCHES

TOLERANCES: FRACTIONS $\pm 1/16$ "
ANGLES $\pm 1/2$ DEG.
DECIMALS $\pm .010$ "

MATERIAL:

TOLERANCES DO NOT APPLY
TO RAW MATERIAL



MICROWAVE DISH WAVEGUIDE SHIELD
(12" X 48" SHIELD)
(MWS4)

REV	DATE	DRW/CHK	DESCRIPTION

CONFIDENTIAL

This document and the information contained herein is the confidential trade secret property of Sabre Communications Corporation ("Sabre") and must not be reproduced, copied or used, in whole or in part, for any purpose without the prior written consent of Sabre.

© 2015 Sabre Communications Corporation. All rights reserved.

DATE	04/10/15	SIZE	B	DRAWING NO.	C10153436	REV	0
DRAWN BY	WRF	SCALE	None	PAGE	1 OF 1		
CHECKED BY	KLE						

THIS MOUNT FITS:
ROUNDS UP TO 4 1/2" O.D.