

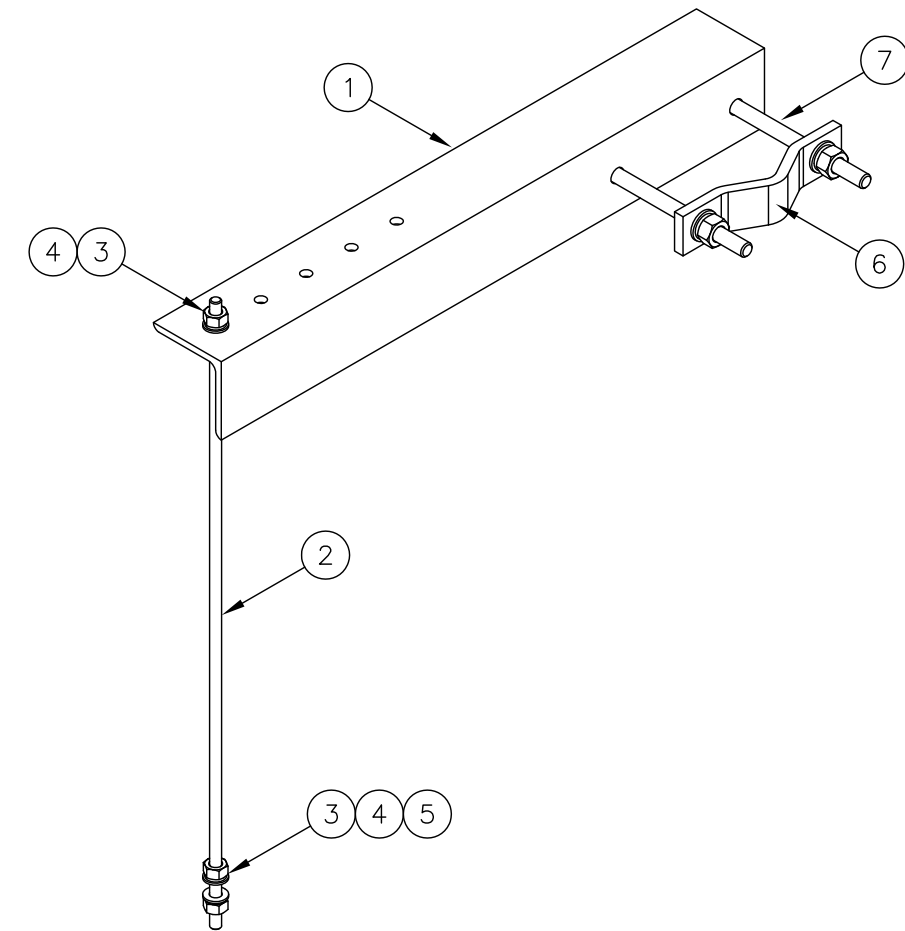
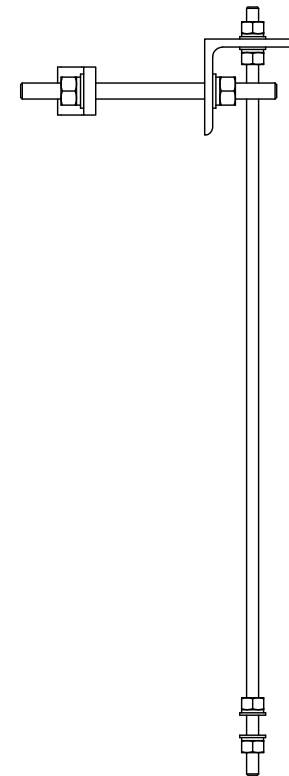
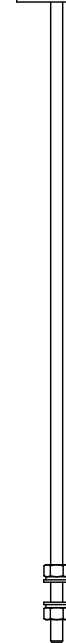
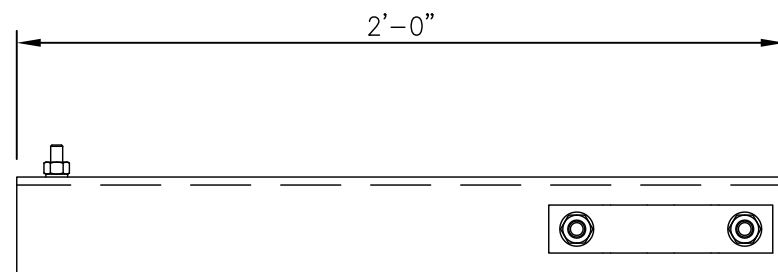
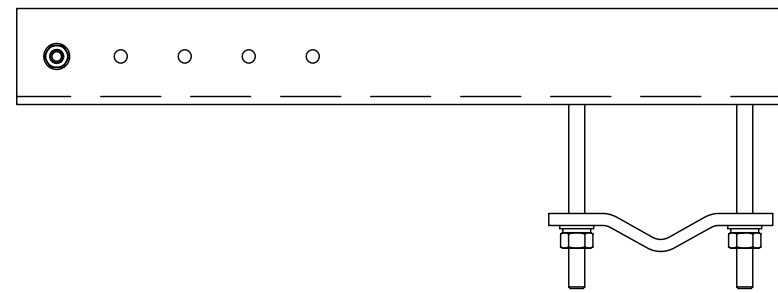


C10153437 (MWSA-24) MICROWAVE DISH WAVEGUIDE SHIELD

ITEM	QTY.	PART NO.	DESCRIPTION	WEIGHT
1.	1	CS03212	ANGLE, WAVEGUIDE SHIELD	10
2.	1	C40982003	THREADED ROD, 3/8" ϕ X 2'-0"	1
3.	4	C40027101	3/8" HEAVY HEX NUT ASTM A563 GRADE A	1
4.	4	C40030010	3/8" LOCKWASHER ASTM A153	1
5.	2	C40031001	3/8" HARDENED FLATWASHER ASTM F436	1
6.	1	CS03219	FLAT, 2 HOLE ADAPTOR	1
7.	2	C40032025	THREADED ROD ASSEMBLY, 1/2" ϕ X 0'-8"	2
TOTAL WEIGHT				17

* 7.

* EACH THREADED ROD ASSEMBLY COMES WITH (2) NUTS, (2) LOCKWASHERS & (2) FLATWASHERS



ISOMETRIC VIEW

UNLESS OTHERWISE SPECIFIED
ALL DIMENSIONS INCLUDE
FINISHES AND ARE IN INCHES

TOLERANCES: FRACTIONS $\pm 1/16$ "
ANGLES $\pm 1/2$ DEG.
DECIMALS $\pm .010$ "

MATERIAL:

TOLERANCES DO NOT APPLY
TO RAW MATERIAL



MICROWAVE DISH WAVEGUIDE SHIELD
(MWSA-24)

REV	DATE	DRWCHK	DESCRIPTION

CONFIDENTIAL
This document and the information contained herein is the confidential trade secret property of Sabre Communications Corporation ("Sabre") and must not be reproduced, copied or used, in whole or in part, for any purpose without the prior written consent of Sabre.
© 2015 Sabre Communications Corporation. All rights reserved.

DATE	04/07/15	SIZE	B	DRAWING NO.	C10153437	REV	0
DRAWN BY	WRF	SCALE		PAGE		None	
CHECKED BY	KLE	None		1 OF 1			

THIS MOUNT FITS:
ROUNDS UP TO 4 1/2" O.D.