



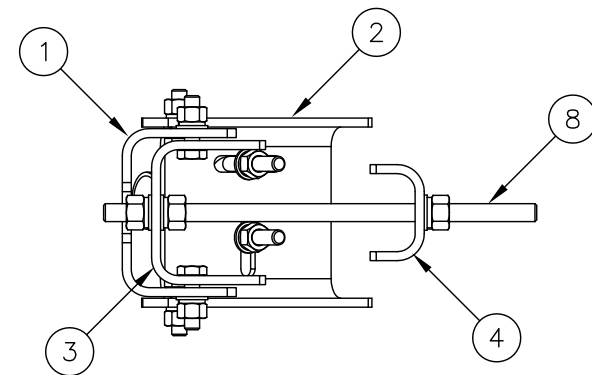
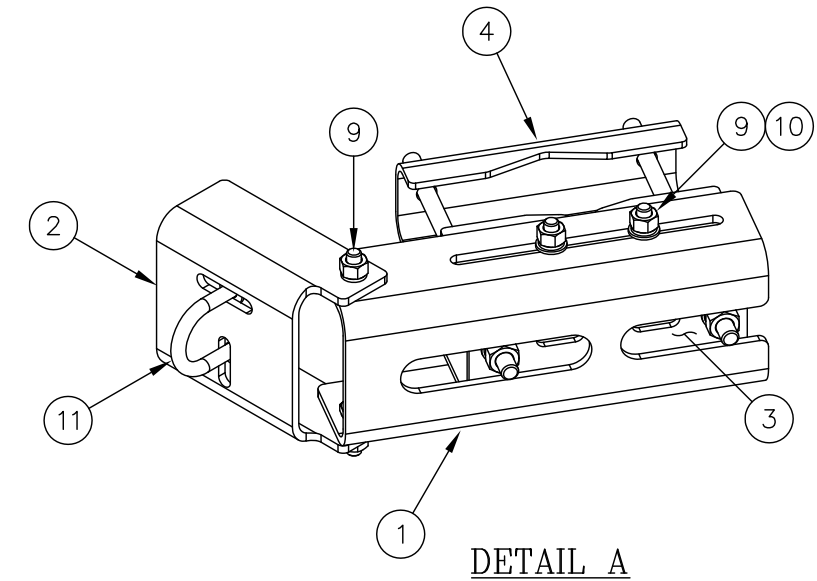
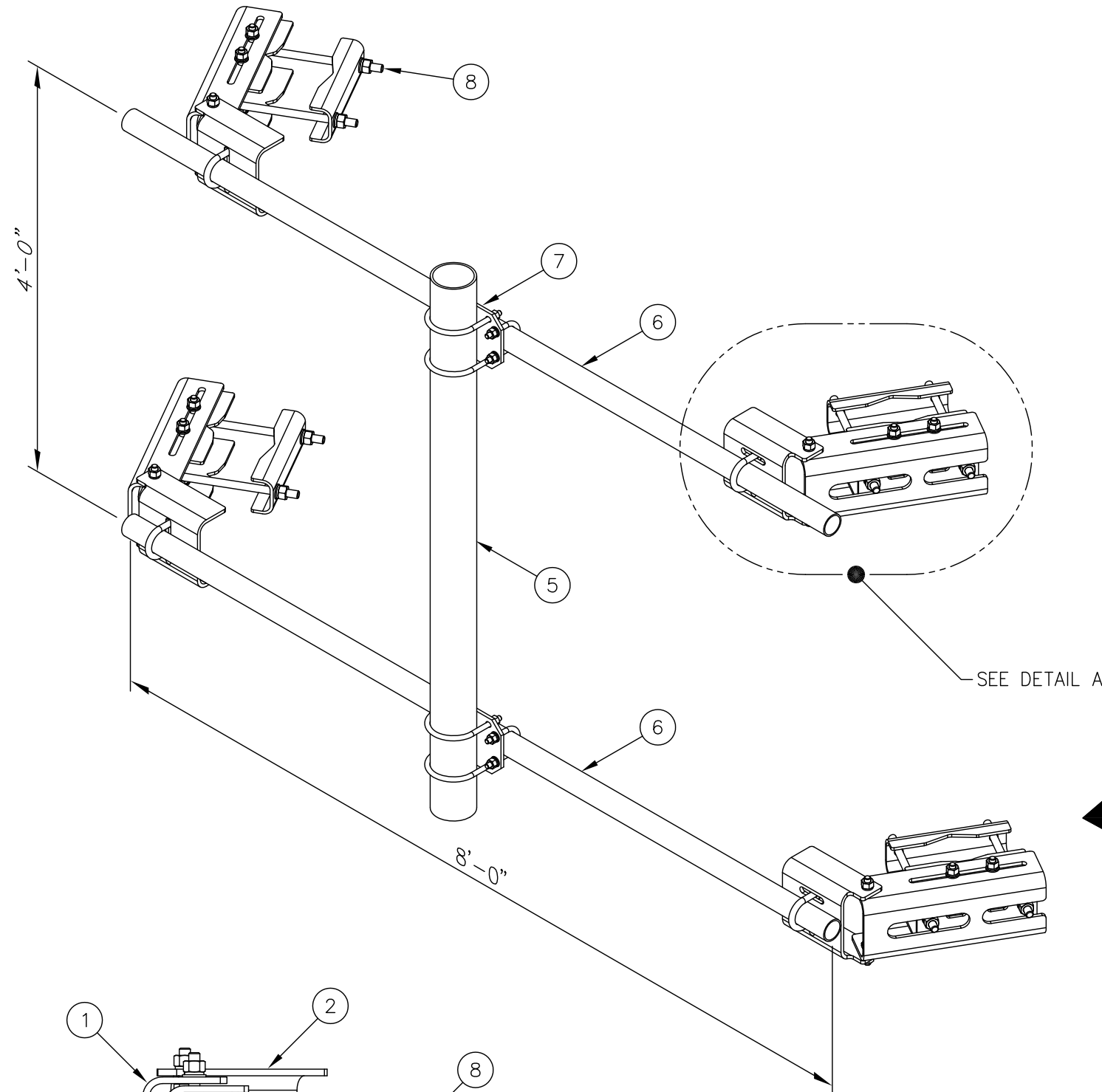
C10153438 (FMDS2-96) MICROWAVE DISH 8' HORIZONTAL SUPPORT

ITEM	QTY.	PART NO.	DESCRIPTION	WEIGHT
1.	4	CS03257	CHANNEL FACE BRACKET	102
2.	4	CS03220	CHANNEL PIVOTING BRACKET	53
3.	4	CS03198	CHANNEL SADDLE MOUNT	59
4.	4	CS03199	CHANNEL CLAMP	52
5.	1	C10901405	PIPE, 4 1/2 O.D. X .237 X 5'-3	59
6.	2	CS03266	PIPE, 2 3/8 O.D. X .154 X 8'-0	61
* **	7.	C10902017	CROSSOVER PLATE KIT, 2 3/8 - 4 1/2 PIPE	18
	8.	C40032306	THREADED ROD ASSEMBLY, 3/4 ϕ X 1'-6	25
	9.	C40026023	BOLT ASSEMBLY, 5/8 ϕ X 2 A325	11
	10.	C40031003	5/8" HARDENED FLATWASHER ASTM F436	1
	11.	C40034023	U-BOLT ASSEMBLY, 5/8 ϕ X 3 1/16 C-C	7
TOTAL WEIGHT				448

*
**

* EACH C10902017 CROSSOVER PLATE KIT CONSISTS OF . . .
 (1) CS03194 CROSSOVER PLATE
 (2) C40034139 U-BOLT ASSEMBLY, 1/2 ϕ X 2 15/16 C-C
 (2) C40034170 U-BOLT ASSEMBLY, 1/2 ϕ X 5 1/16 C-C

** EACH THREADED ROD ASSEMBLY COMES WITH
 (3) NUTS, (3) LOCKWASHERS & (3) FLATWASHERS



THIS MOUNT FITS:
 ROUNDS UP TO 8" O.D.
 60° ANGLES UP TO 8"
 90° ANGLES UP TO 6"

VIEW B

UNLESS OTHERWISE SPECIFIED
 ALL DIMENSIONS INCLUDE
 FINISHES AND ARE IN INCHES
 TOLERANCES: FRACTIONS $\pm 1/16"$
 ANGLES $\pm 1/2$ DEG.
 DECIMALS $\pm .010"$

MATERIAL:
 TOLERANCES DO NOT APPLY
 TO RAW MATERIAL

REV	DATE	DRW/CHK	DESCRIPTION



CONFIDENTIAL
 This document and the information
 contained herein is the confidential trade
 secret property of Sabre Communications
 Corporation ("Sabre") and must not be
 reproduced, copied or used, in whole or in
 part, for any purpose without the prior
 written consent of Sabre.
 © 2015 Sabre Communications Corporation.
 All rights reserved.

TOWER FACE MOUNTED
 MICROWAVE DISH SUPPORT
 (2 3/8" O.D. X 8'-0 PIPE HORIZONTALS)
 (FMDS2-96)

DATE	06/14/15	SIZE	B	DRAWING NO.	C10153438	REV	0
DRAWN BY	WRF	CHECKED BY	KLE	SCALE	None	PAGE	1 OF 1