

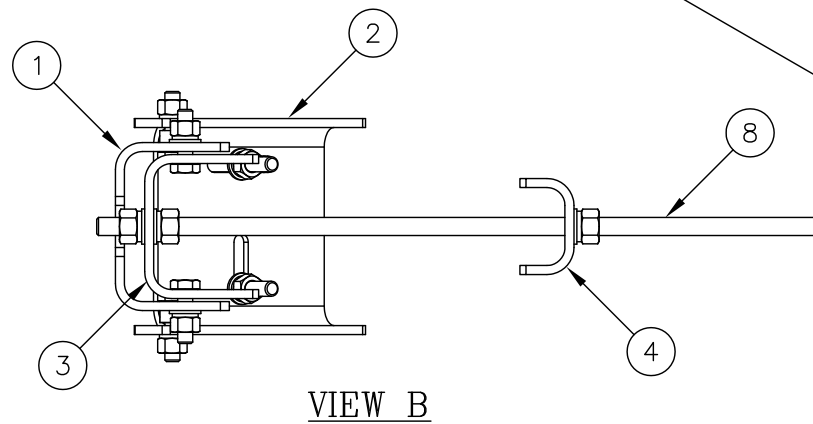
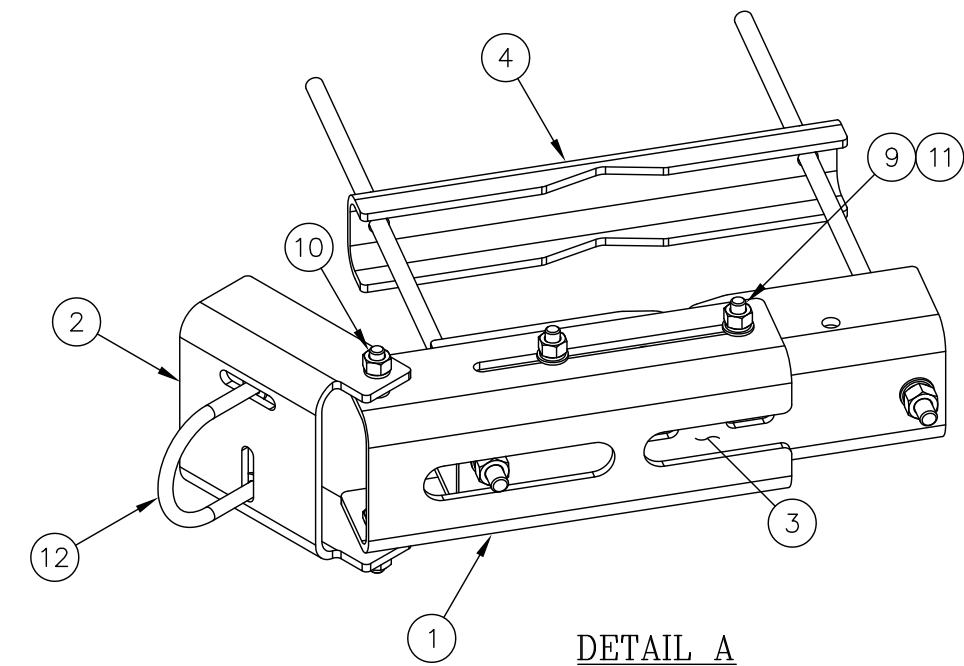
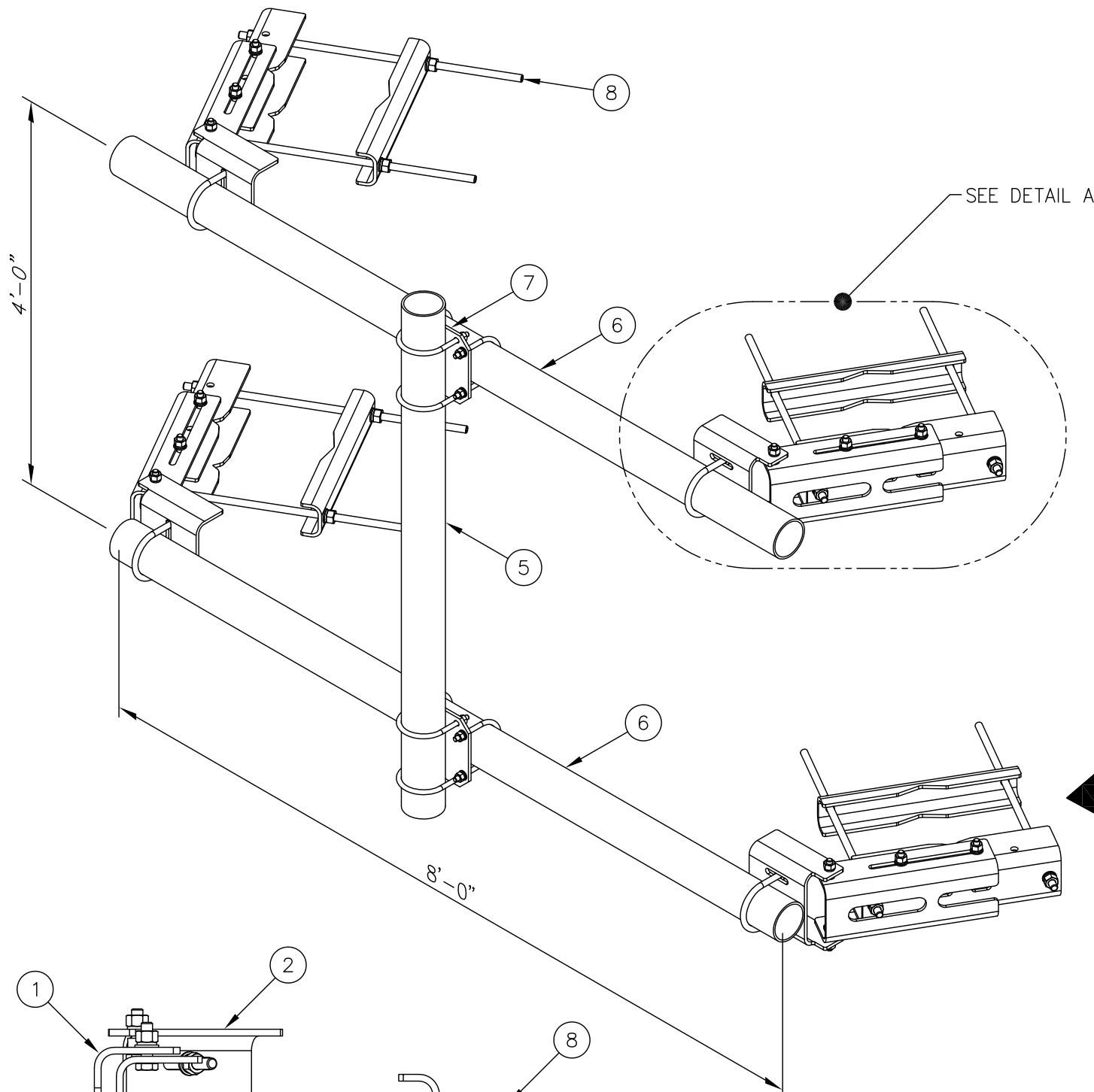


C10153449 (FMDSX4-96) MICROWAVE DISH 8' HORIZONTAL SUPPORT

ITEM	QTY.	PART NO.	DESCRIPTION	WEIGHT
1.	4	CW01267	WELDMENT, CHANNEL FACE BRACKET	103
2.	4	CS03254	CHANNEL PIVOTING BRACKET	57
3.	4	CS03255	CHANNEL SADDLE MOUNT	125
4.	4	CS03256	CHANNEL CLAMP	62
5.	1	C10901405	PIPE, 4 1/2 O.D. X .237 X 5'-3	59
6.	2	CS03272	PIPE, 4 1/2 O.D. X .237 X 8'-0	180
7.	2	C10902019	CROSSOVER PLATE KIT, 4 1/2 - 4 1/2 PIPE	22
* **	8	C40099043	THREADED ROD ASSEMBLY, 3/4 $\phi$ X 2'-6 GR B-7	38
9.	16	C40026024	BOLT ASSEMBLY, 5/8 $\phi$ X 2 1/4 A325	8
10.	8	C40026025	BOLT ASSEMBLY, 5/8 $\phi$ X 2 1/2 A325	4
11.	16	C40031003	5/8" HARDENED FLATWASHER ASTM F436	1
12.	4	C40034032	U-BOLT ASSEMBLY, 5/8 $\phi$ X 5 3/16 C-C	9
TOTAL WEIGHT				668

\* EACH C10902019 CROSSOVER PLATE KIT CONSISTS OF . . .  
 (1) CS03258 CROSSOVER PLATE  
 (4) C40034170 U-BOLT ASSEMBLY, 1/2  $\phi$  X 5 1/16 C-C

\*\* EACH THREADED ROD ASSEMBLY COMES WITH  
 (3) NUTS, (3) LOCKWASHERS & (3) FLATWASHERS



**THIS MOUNT FITS:**  
 ROUNDS 8" O.D. TO 16" O.D.  
 60° ANGLES 8" TO 16"  
 90° ANGLES 6" TO 12"

UNLESS OTHERWISE SPECIFIED  
 ALL DIMENSIONS INCLUDE  
 FINISHES AND ARE IN INCHES  
 TOLERANCES: FRACTIONS  $\pm 1/16"$   
 ANGLES  $\pm 1/2$  DEG.  
 DECIMALS  $\pm .010"$

MATERIAL:  
 TOLERANCES DO NOT APPLY  
 TO RAW MATERIAL



TOWER FACE MOUNTED  
 MICROWAVE DISH SUPPORT  
 (4 1/2" O.D. X 8'-0 PIPE HORIZONTALS)  
 (FMDSX4-96)

REV	DATE	DRWCHK	DESCRIPTION

**CONFIDENTIAL**  
 This document and the information  
 contained herein is the confidential trade  
 secret property of Sabre Communications  
 Corporation ("Sabre") and must not be  
 reproduced, copied or used, in whole or in  
 part, for any purpose without the prior  
 written consent of Sabre.  
 © 2015 Sabre Communications Corporation.  
 All rights reserved.

DATE	06/14/15	SIZE	B	DRAWING NO.	C10153449	REV	0
DRAWN BY	WRF	SCALE	None	PAGE	1	OF	1
CHECKED BY	KLE						