



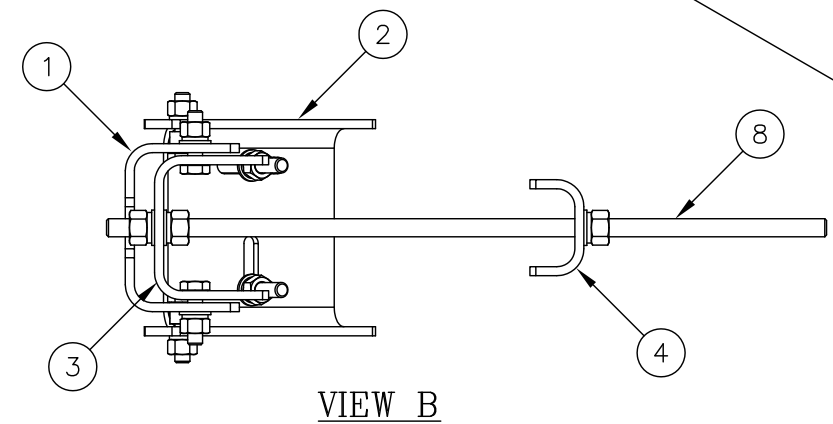
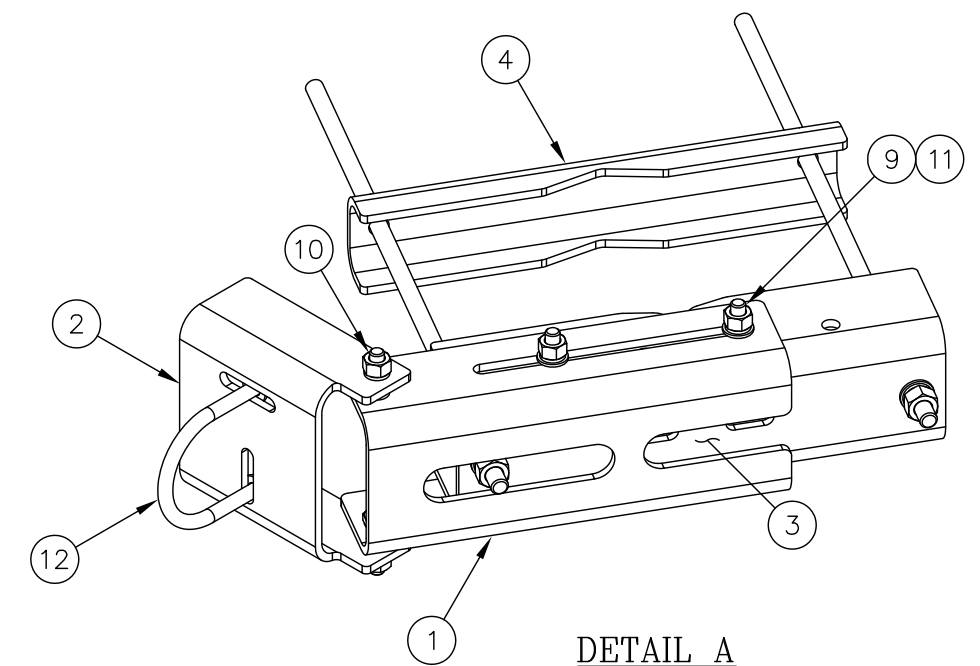
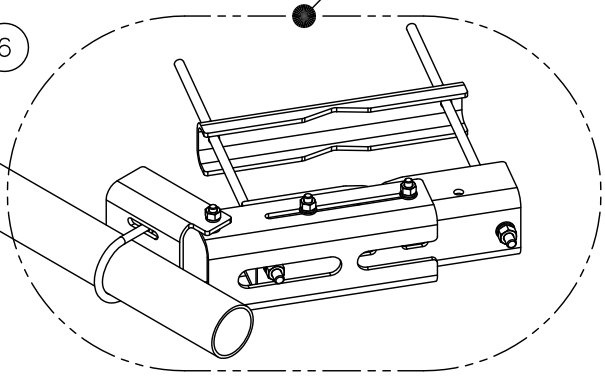
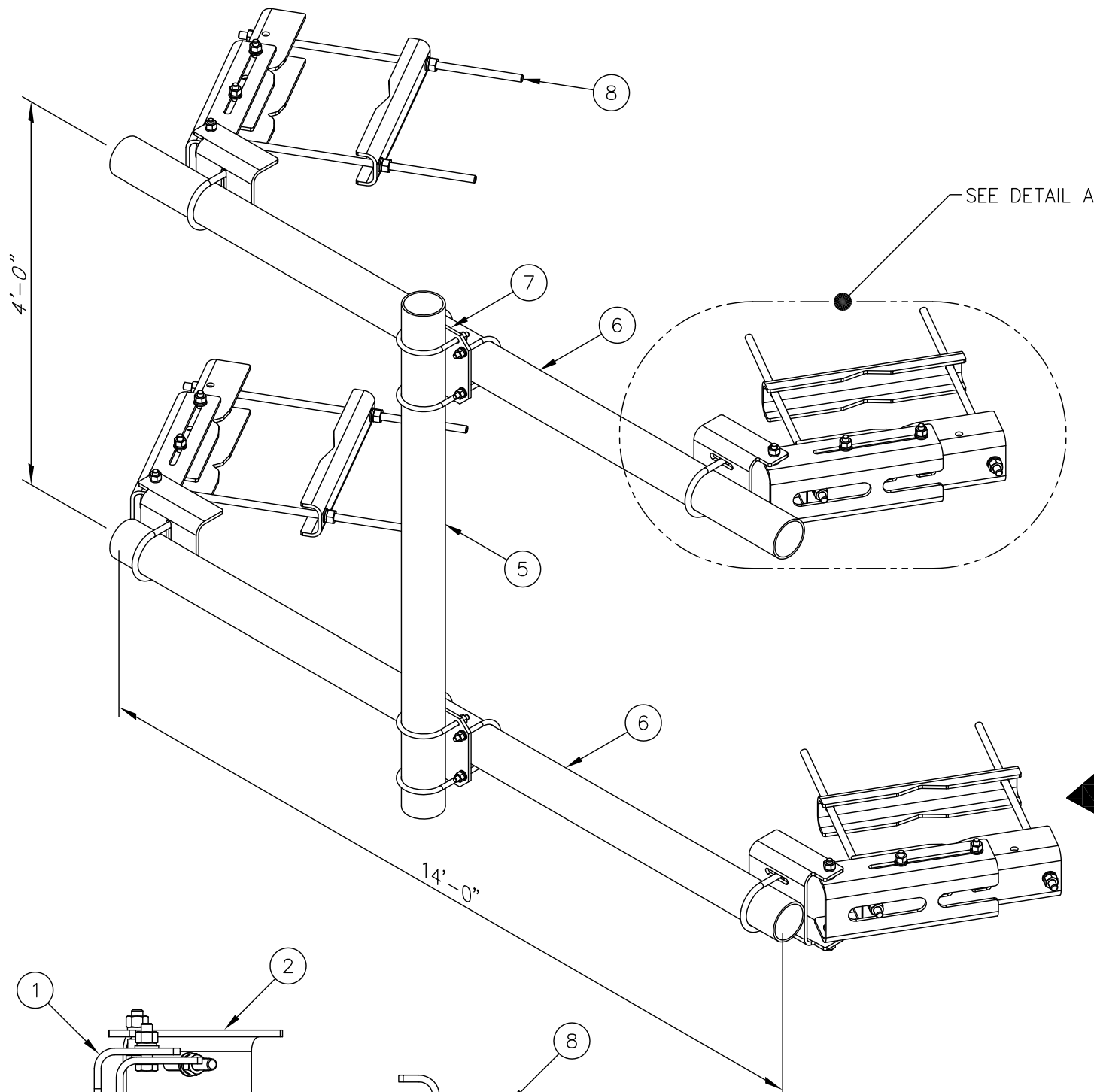
C10153450 (FMDSX4-168) MICROWAVE DISH 14' HORIZONTAL SUPPORT

ITEM	QTY.	PART NO.	DESCRIPTION	WEIGHT
1.	4	CW01267	WELDMENT, CHANNEL FACE BRACKET	103
2.	4	CS03254	CHANNEL PIVOTING BRACKET	57
3.	4	CS03255	CHANNEL SADDLE MOUNT	125
4.	4	CS03256	CHANNEL CLAMP	62
5.	1	C10901405	PIPE, 4 1/2 O.D. X .237 X 5'-3	59
6.	2	CS03273	PIPE, 4 1/2 O.D. X .237 X 14'-0	314
7.	2	C10902019	CROSSOVER PLATE KIT, 4 1/2 - 4 1/2 PIPE	22
* **	8	C40099043	THREADED ROD ASSEMBLY, 3/4 ϕ X 2'-6 GR B-7	38
9.	16	C40026024	BOLT ASSEMBLY, 5/8 ϕ X 2 1/4 A325	8
10.	8	C40026025	BOLT ASSEMBLY, 5/8 ϕ X 2 1/2 A325	4
11.	16	C40031003	5/8" HARDENED FLATWASHER ASTM F436	1
12.	4	C40034032	U-BOLT ASSEMBLY, 5/8 ϕ X 5 3/16 C-C	9
TOTAL WEIGHT				802

*
**

* EACH C10902019 CROSSOVER PLATE KIT CONSISTS OF . . .
 (1) CS03258 CROSSOVER PLATE
 (4) C40034170 U-BOLT ASSEMBLY, 1/2 ϕ X 5 1/16 C-C

** EACH THREADED ROD ASSEMBLY COMES WITH
 (3) NUTS, (3) LOCKWASHERS & (3) FLATWASHERS



UNLESS OTHERWISE SPECIFIED
 ALL DIMENSIONS INCLUDE
 FINISHES AND ARE IN INCHES
 TOLERANCES: FRACTIONS $\pm 1/16$ "
 ANGLES $\pm 1/2$ DEG.
 DECIMALS $\pm .010$ "

MATERIAL:
 TOLERANCES DO NOT APPLY
 TO RAW MATERIAL



TOWER FACE MOUNTED
 MICROWAVE DISH SUPPORT
 (4 1/2" O.D. X 14'-0 PIPE HORIZONTALS)
 (FMDSX4-168)

REV	DATE	DRWCHK	DESCRIPTION

CONFIDENTIAL
 This document and the information
 contained herein is the confidential trade
 secret property of Sabre Communications
 Corporation ("Sabre") and must not be
 reproduced, copied or used, in whole or in
 part, for any purpose without the prior
 written consent of Sabre.
 © 2015 Sabre Communications Corporation.
 All rights reserved.

DATE	06/14/15	SIZE	B	DRAWING NO.	C10153450	REV	0
DRAWN BY	WRF	SCALE	None	PAGE	1	OF	1
CHECKED BY	KLE						

THIS MOUNT FITS:
 ROUNDS 8" O.D. TO 16" O.D.
 60° ANGLES 8" TO 16"
 90° ANGLES 6" TO 12"