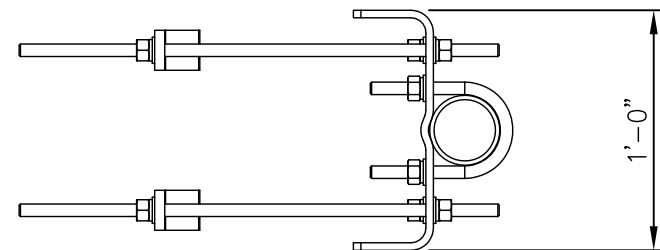
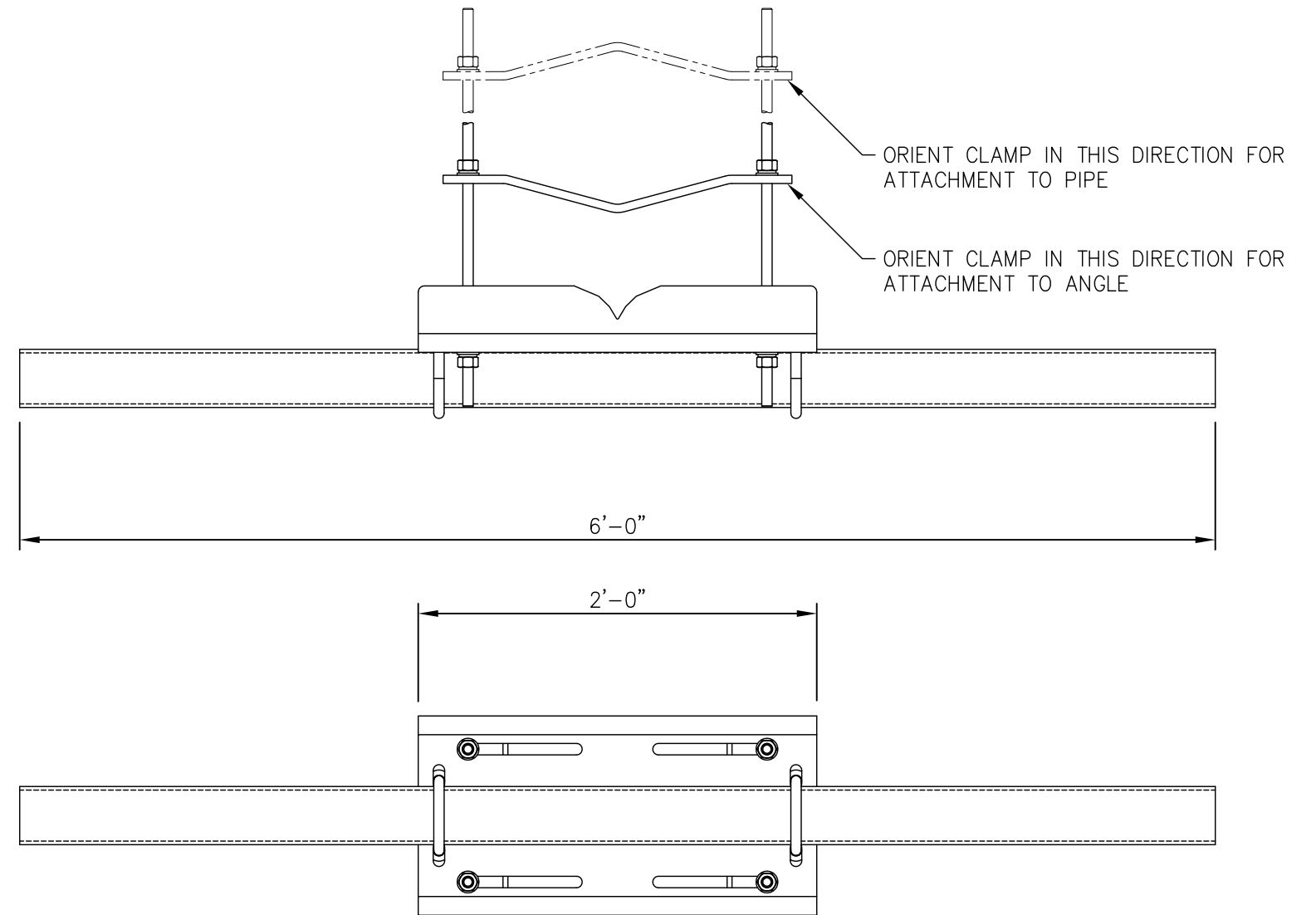
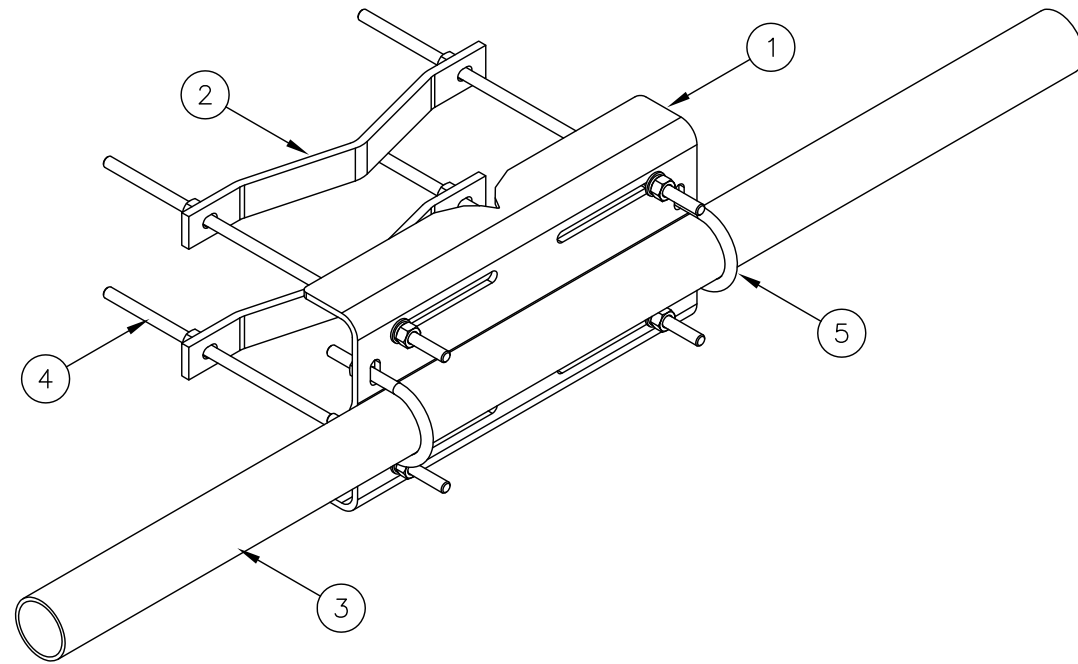




C10153453 (MSSX-72) MICROWAVE DISH 6' STRUT SUPPORT

ITEM	QTY.	PART NO.	DESCRIPTION	WEIGHT
1.	1	CS03243	PLATE, MOUNTING CHANNEL	46
2.	2	CS03244	8" O.D. TO 16" O.D. CLAMP HALF	12
3.	1	CS03268	PIPE, 3 1/2 O.D. X .216 X 6'-0	47
* 4.	4	C40032012	THREADED ROD ASSEMBLY, 5/8 ϕ X 2'-0	12
* 5.	2	C40034028	U-BOLT ASSEMBLY, 5/8 ϕ X 4 3/16 C-C	4
TOTAL WEIGHT				121

* EACH THREADED ROD ASSEMBLY COMES WITH (3) NUTS, (3) LOCKWASHERS & (3) FLATWASHERS



THIS MOUNT FITS:
 ROUNDS 8" O.D. TO 16" O.D.
 60° ANGLES 8" TO 16"
 90° ANGLES 6" TO 12"

UNLESS OTHERWISE SPECIFIED
 ALL DIMENSIONS INCLUDE
 FINISHES AND ARE IN INCHES
 TOLERANCES: FRACTIONS $\pm 1/16"$
 ANGLES $\pm 1/2$ DEG.
 DECIMALS $\pm .010"$

MATERIAL:
 TOLERANCES DO NOT APPLY
 TO RAW MATERIAL



CONFIDENTIAL
 This document and the information contained herein is the confidential trade secret property of Sabre Communications Corporation ("Sabre") and must not be reproduced, copied or used, in whole or in part, for any purpose without the prior written consent of Sabre.
 © 2015 Sabre Communications Corporation. All rights reserved.

TOWER LEG MOUNTED
 MICROWAVE DISH 6' STRUT SUPPORT
 (MSSX-72)

REV	DATE	DRW/CHK	DESCRIPTION

DATE	06/01/15	SIZE	B	DRAWING NO.	C10153453	REV	0
DRAWN BY	WRF	SCALE	None	PAGE	1	OF	1
CHECKED BY	KLE						