

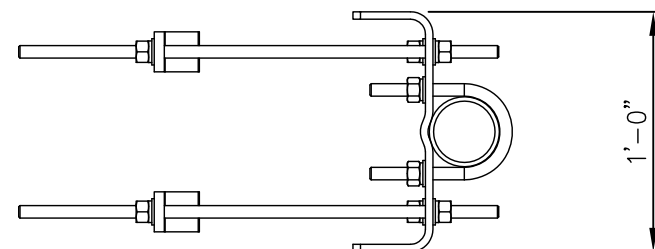
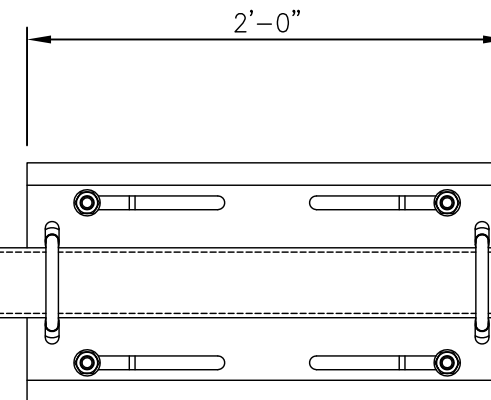
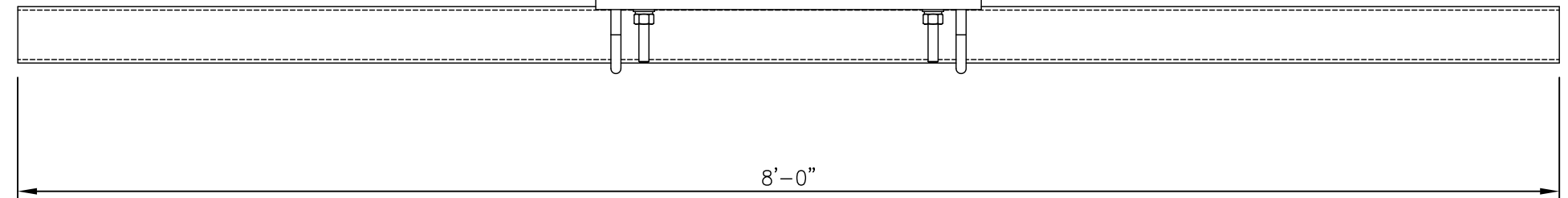
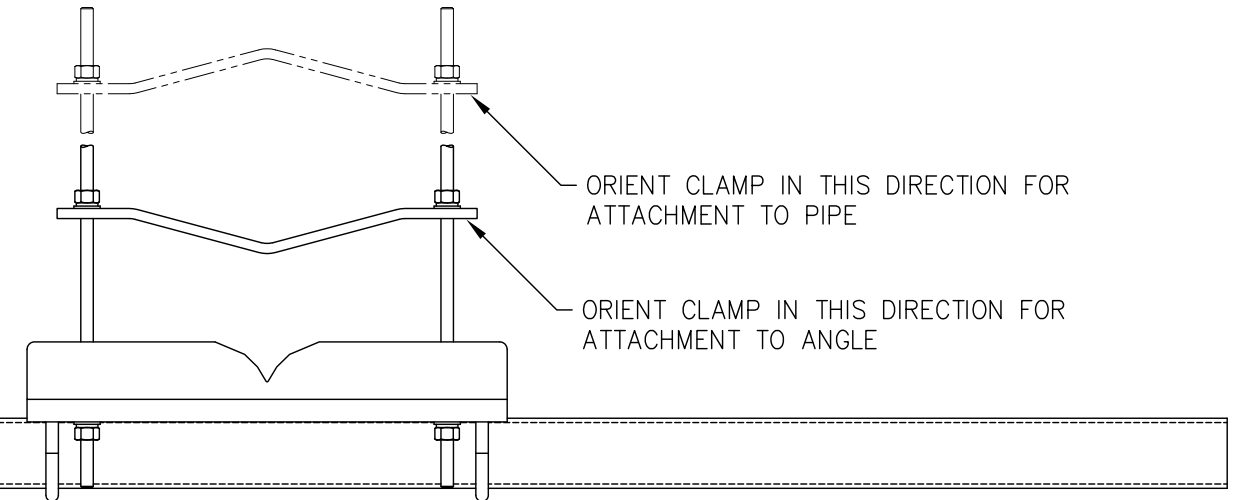
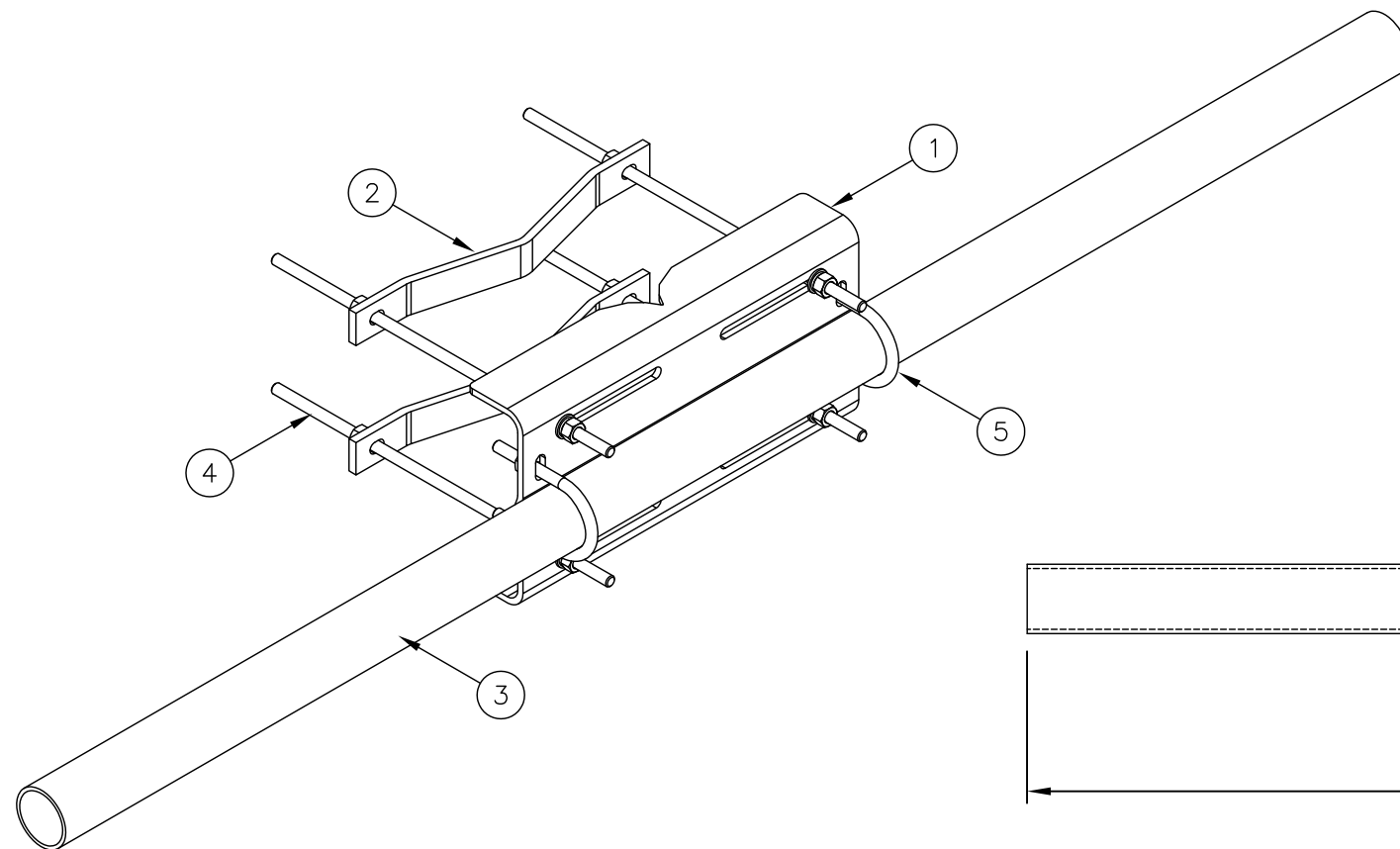


C10153454 (MSSX-96) MICROWAVE DISH 8' STRUT SUPPORT

ITEM	QTY.	PART NO.	DESCRIPTION	WEIGHT
1.	1	CS03243	PLATE, MOUNTING CHANNEL	46
2.	2	CS03244	8" O.D. TO 16" O.D. CLAMP HALF	12
3.	1	CS03269	PIPE, 3 1/2 O.D. X .216 X 8'-0	63
* 4.	4	C40032012	THREADED ROD ASSEMBLY, 5/8 ϕ X 2'-0	12
* 5.	2	C40034028	U-BOLT ASSEMBLY, 5/8 ϕ X 4 3/16 C-C	4
			TOTAL WEIGHT	137

* EACH THREADED ROD ASSEMBLY COMES WITH (3) NUTS, (3) LOCKWASHERS & (3) FLATWASHERS

* EACH THREADED ROD ASSEMBLY COMES WITH (3) NUTS, (3) LOCKWASHERS & (3) FLATWASHERS



UNLESS OTHERWISE SPECIFIED
ALL DIMENSIONS INCLUDE
FINISHES AND ARE IN INCHES
TOLERANCES: FRACTIONS $\pm 1/16$ "
ANGLES $\pm 1/2$ DEG.
DECIMALS $\pm .010$ "

MATERIAL:
TOLERANCES DO NOT APPLY
TO RAW MATERIAL



CONFIDENTIAL
This document and the information contained herein is the confidential trade secret property of Sabre Communications Corporation ("Sabre") and must not be reproduced, copied or used, in whole or in part, for any purpose without the prior written consent of Sabre.
© 2015 Sabre Communications Corporation. All rights reserved.

TOWER LEG MOUNTED
MICROWAVE DISH 8' STRUT SUPPORT
(MSSX-96)

REV	DATE	DRW/CHK	DESCRIPTION

DATE	06/01/15	SIZE	DRAWING NO.	REV
DRAWN BY	WRF	B	C10153454	0
CHECKED BY	KLE		SCALE	PAGE
			None	1 OF 1

THIS MOUNT FITS:
ROUNDS 8" O.D. TO 16" O.D.
60° ANGLES 8" TO 16"
90° ANGLES 6" TO 12"