

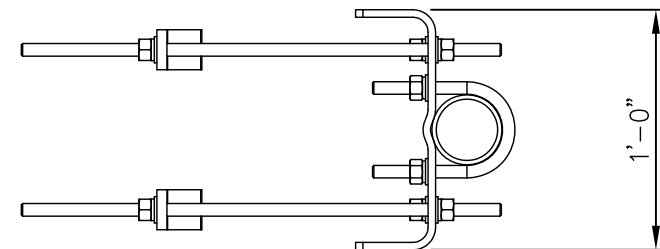
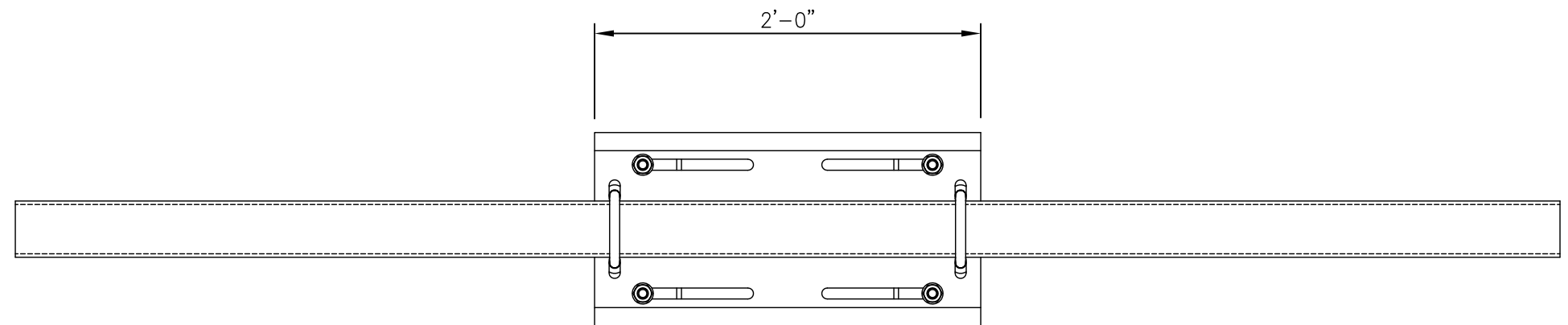
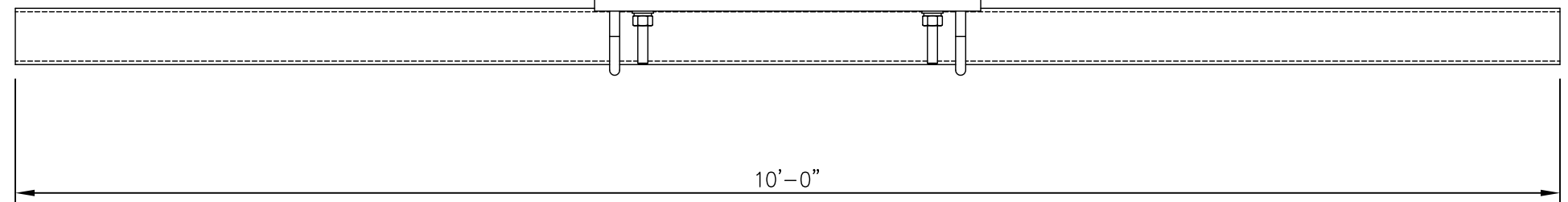
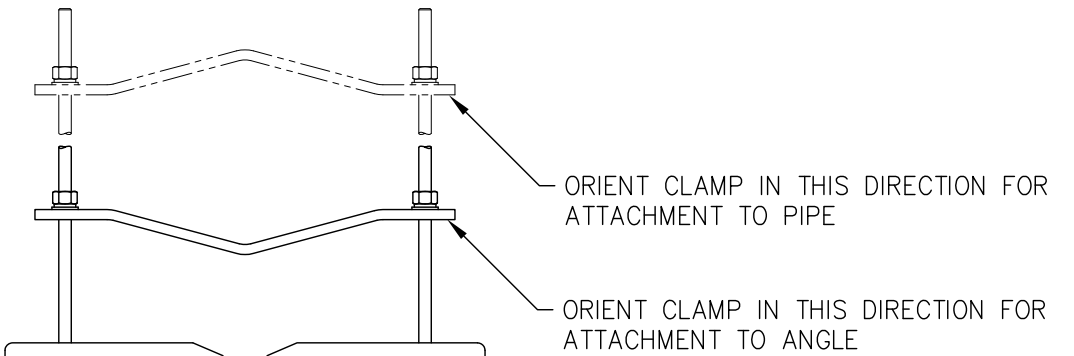
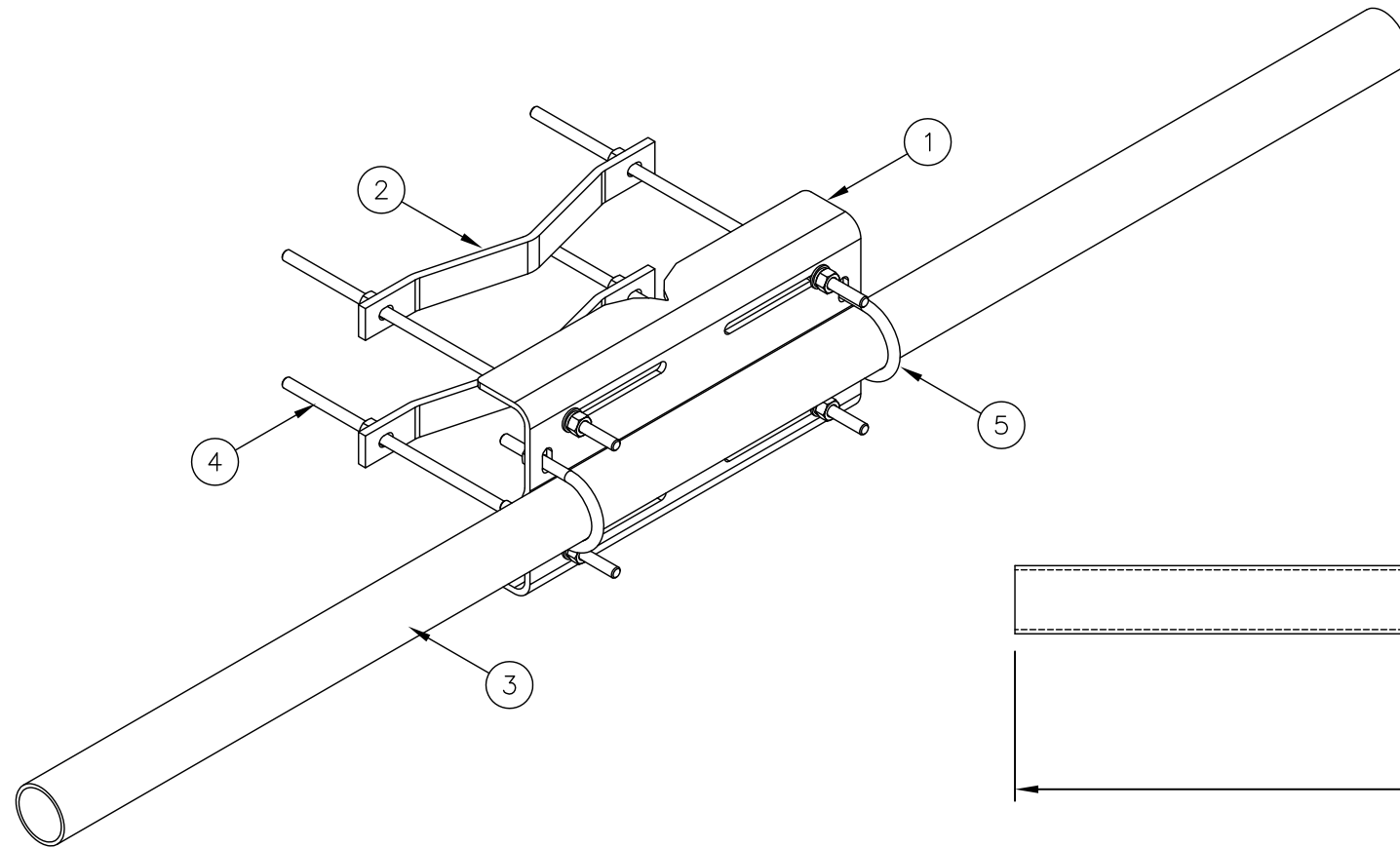


C10153455 (MSSX-120) MICROWAVE DISH 10' STRUT SUPPORT

ITEM	QTY.	PART NO.	DESCRIPTION	WEIGHT
1.	1	CS03243	PLATE, MOUNTING CHANNEL	46
2.	2	CS03244	8" O.D. TO 16" O.D. CLAMP HALF	12
3.	1	CS03270	PIPE, 3 1/2 O.D. X .216 X 10'-0	79
* 4.	4	C40032012	THREADED ROD ASSEMBLY, 5/8 $\phi$ X 2'-0	12
* 5.	2	C40034028	U-BOLT ASSEMBLY, 5/8 $\phi$ X 4 3/16 C-C	4
TOTAL WEIGHT				153

\* EACH THREADED ROD ASSEMBLY COMES WITH (3) NUTS, (3) LOCKWASHERS & (3) FLATWASHERS

\* EACH THREADED ROD ASSEMBLY COMES WITH (3) NUTS, (3) LOCKWASHERS & (3) FLATWASHERS



**THIS MOUNT FITS:**  
 ROUNDS 8" O.D. TO 16" O.D.  
 60° ANGLES 8" TO 16"  
 90° ANGLES 6" TO 12"

UNLESS OTHERWISE SPECIFIED  
 ALL DIMENSIONS INCLUDE  
 FINISHES AND ARE IN INCHES  
 TOLERANCES: FRACTIONS  $\pm 1/16"$   
 ANGLES  $\pm 1/2$  DEG.  
 DECIMALS  $\pm .010"$

MATERIAL:  
 TOLERANCES DO NOT APPLY  
 TO RAW MATERIAL



**CONFIDENTIAL**  
 This document and the information contained herein is the confidential trade secret property of Sabre Communications Corporation ("Sabre") and must not be reproduced, copied or used, in whole or in part, for any purpose without the prior written consent of Sabre.  
 © 2015 Sabre Communications Corporation. All rights reserved.

TOWER LEG MOUNTED  
 MICROWAVE DISH 10' STRUT SUPPORT  
 (MSSX-120)

REV	DATE	DRW/CHK	DESCRIPTION

DATE	06/01/15	SIZE	B	DRAWING NO.	C10153455	REV	0
DRAWN BY	WRF	SCALE		PAGE		None	
CHECKED BY	KLE	None		1 OF 1		None	