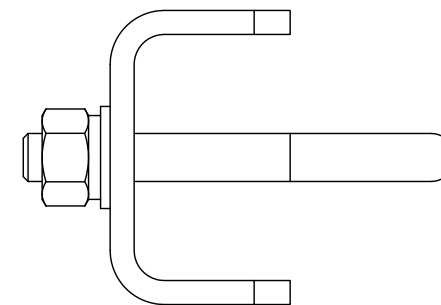
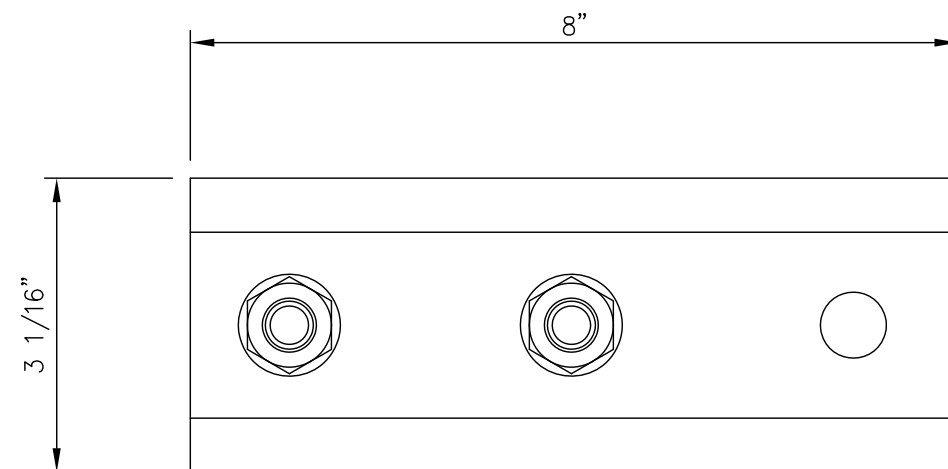
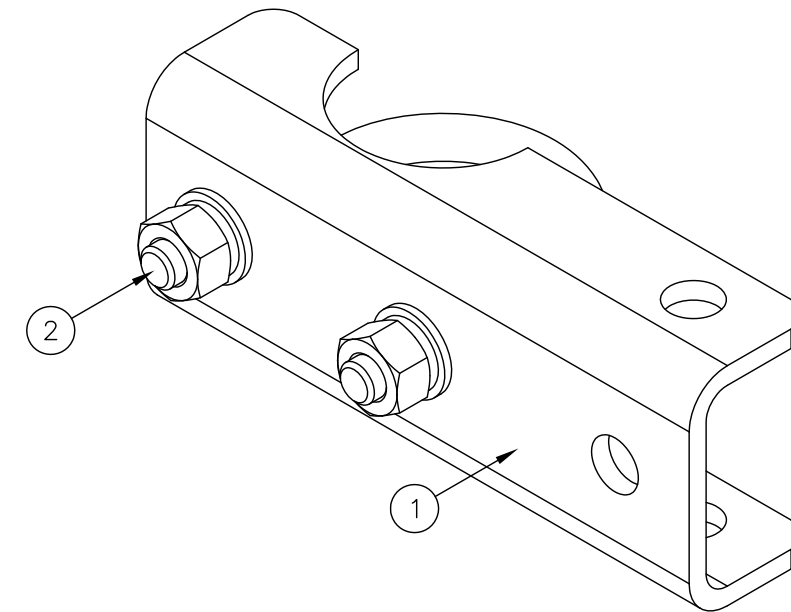
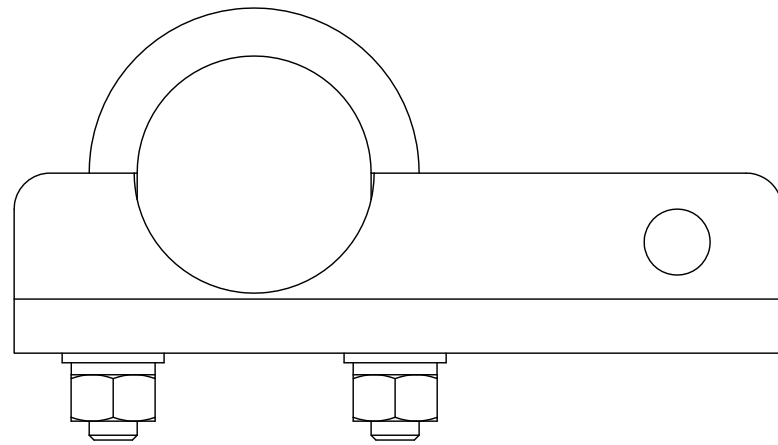




C10153459 (SBB-2) STIFFARM SUPPORT

ITEM	QTY.	PART NO.	DESCRIPTION	WEIGHT
1.	1	CS03202	TOWER FACE MOUNT STIFFARM	3
2.	1	C40034139	U-BOLT ASSEMBLY, 1/2 X 2 15/16 C-C	1
TOTAL WEIGHT				4



UNLESS OTHERWISE SPECIFIED  
ALL DIMENSIONS INCLUDE  
FINISHES AND ARE IN INCHES  
TOLERANCES: FRACTIONS  $\pm 1/16"$   
ANGLES  $\pm 1/2$  DEG.  
DECIMALS  $\pm .010"$

MATERIAL:  
TOLERANCES DO NOT APPLY  
TO RAW MATERIAL



STIFFARM SUPPORT  
(2 3/8" O.D. PIPE)  
(SSB-2)

REV	DATE	DRWCHK	DESCRIPTION

**CONFIDENTIAL**  
This document and the information  
contained herein is the confidential trade  
secret property of Sabre Communications  
Corporation ("Sabre") and must not be  
reproduced, copied or used, in whole or in  
part, for any purpose without the prior  
written consent of Sabre.  
© 2015 Sabre Communications Corporation.  
All rights reserved.

DATE	05/14/15	SIZE	B	DRAWING NO.	C10153459	REV	0
DRAWN BY	WRF	CHECKED BY	KLE	SCALE	None	PAGE	1 OF 1