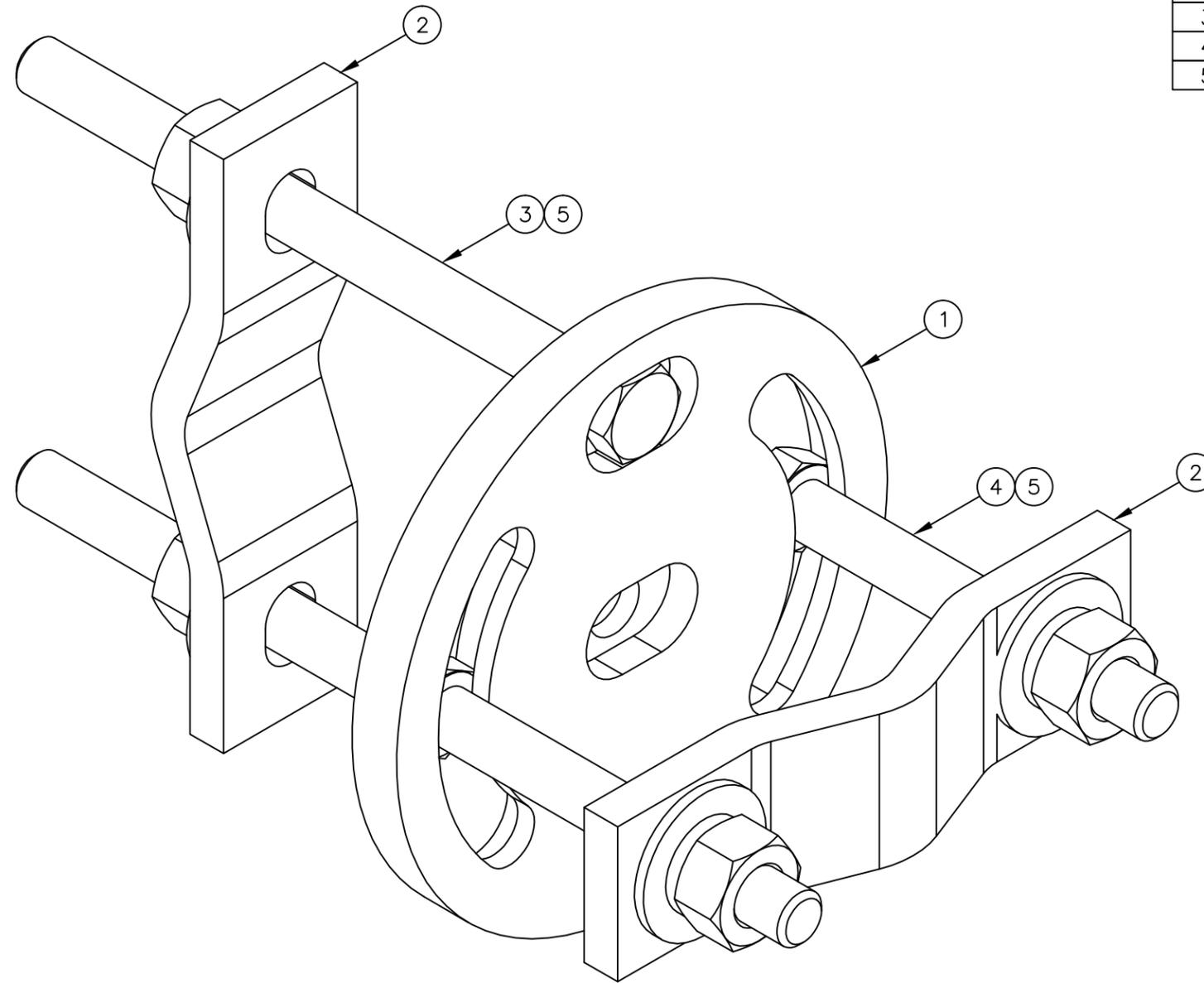




C10158003 ADJUSTABLE CLAMP ASSEMBLY (DISC)

ITEM	QTY.	PART NO.	DESCRIPTION	WEIGHT
1.	1	CS03391	PLATE, CLAMP (DISC)	2
2.	2	CS02648	PLATE, BACKUP	2
3.	2	C40024106	BOLT ASSEMBLY, 1/2 ϕ X 6 1/2 GR. 5 (FULL THREAD)	1
4.	2	C40024113	BOLT ASSEMBLY, 1/2 ϕ X 4 GR. 5 (FULL THREAD)	1
5.	4	C40031002	FLATWASHER, 1/2 ϕ HARDENED ASTM F436	1
TOTAL WEIGHT				7



UNLESS OTHERWISE SPECIFIED
ALL DIMENSIONS INCLUDE
FINISHES AND ARE IN INCHES

TOLERANCES: FRACTIONS $\pm 1/16"$
ANGLES $\pm 1/2$ DEG.
DECIMALS $\pm .010"$

MATERIAL:

TOLERANCES DO NOT APPLY
TO RAW MATERIAL



ADJUSTABLE CLAMP ASSEMBLY
(DISC)

REV	DATE	DRWCHK	DESCRIPTION

CONFIDENTIAL
This document and the information contained herein is the confidential trade secret property of Sabre Communications Corporation ("Sabre") and must not be reproduced, copied or used, in whole or in part, for any purpose without the prior written consent of Sabre.
© 2016 Sabre Communications Corporation. All rights reserved.

DATE	01/13/16	SIZE	B	DRAWING NO.	C10158003	REV	0
DRAWN BY	WRF	CHECKED BY	KLE	SCALE	None	PAGE	1 OF 1