

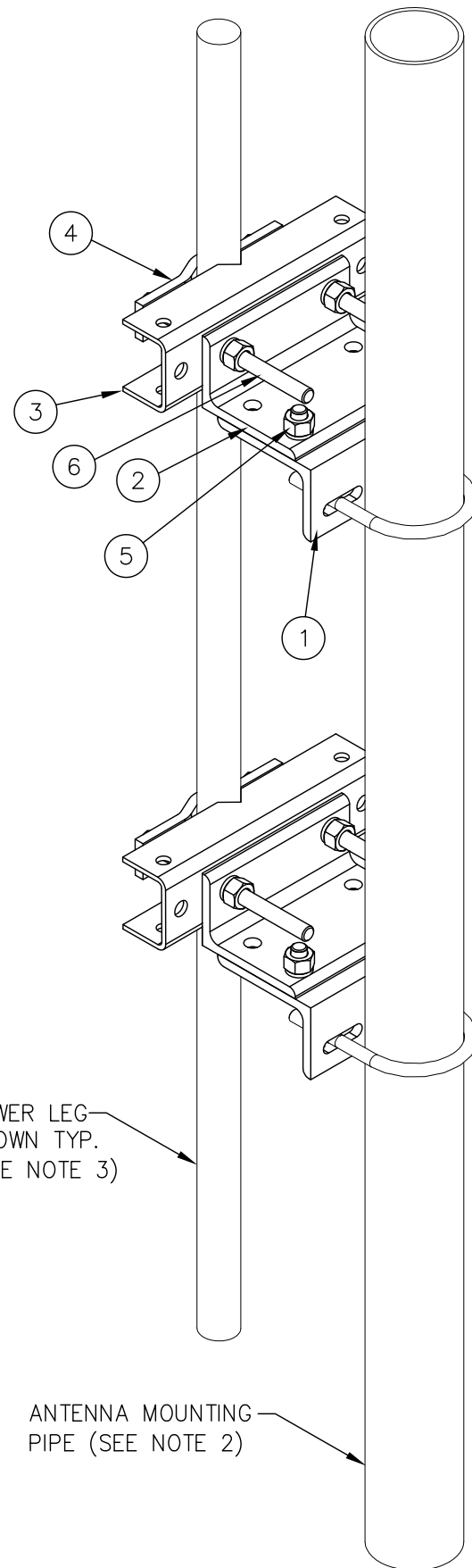


C10172101 ANTENNA PIPE MOUNTING KIT

ITEM	QTY.	PART NO.	DESCRIPTION	WEIGHT
1.	2	CS01427	ANGLE, PIPE MOUNT	25#
2.	2	CS01428	ANGLE, PIPE MOUNT	25#
3.	2	CS01360	PLATE, MOUNTING BRACKET (FORMED CHANNEL)	18#
4.	2	CS01361	PLATE, 2 HOLE ADAPTER CLAMP	5#
5.	4	C40026045	BOLT ASSEMBLY, 3/4 X 2 1/2 A325	3#
6.	4	C40140001	BOLT ASSEMBLY, 3/4 X 10 A307 W/NUT, LKW, FLW	7#
TOTAL WEIGHT				83#

NOTES:

- QUANTITIES SHOWN IN THE LIST OF MATERIAL ARE FOR ONE ANTENNA PIPE MOUNTING KIT ONLY.
- THE ANTENNA MOUNTING PIPE KIT MUST BE PURCHASED SEPARATELY.  
THIS MOUNT WILL ACCEPT A 2 3/8"Ø TO 4 1/2"Ø MOUNTING PIPE.
- THIS ANTENNA PIPE MOUNTING KIT WILL MOUNT TO THE FOLLOWING TOWER LEG SIZES:
  - 1 1/2"Ø TO 5 9/16"Ø ROUND LEG
  - L 2 1/2 X 2 1/2 TO L 4 X 4 ANGLE LEG



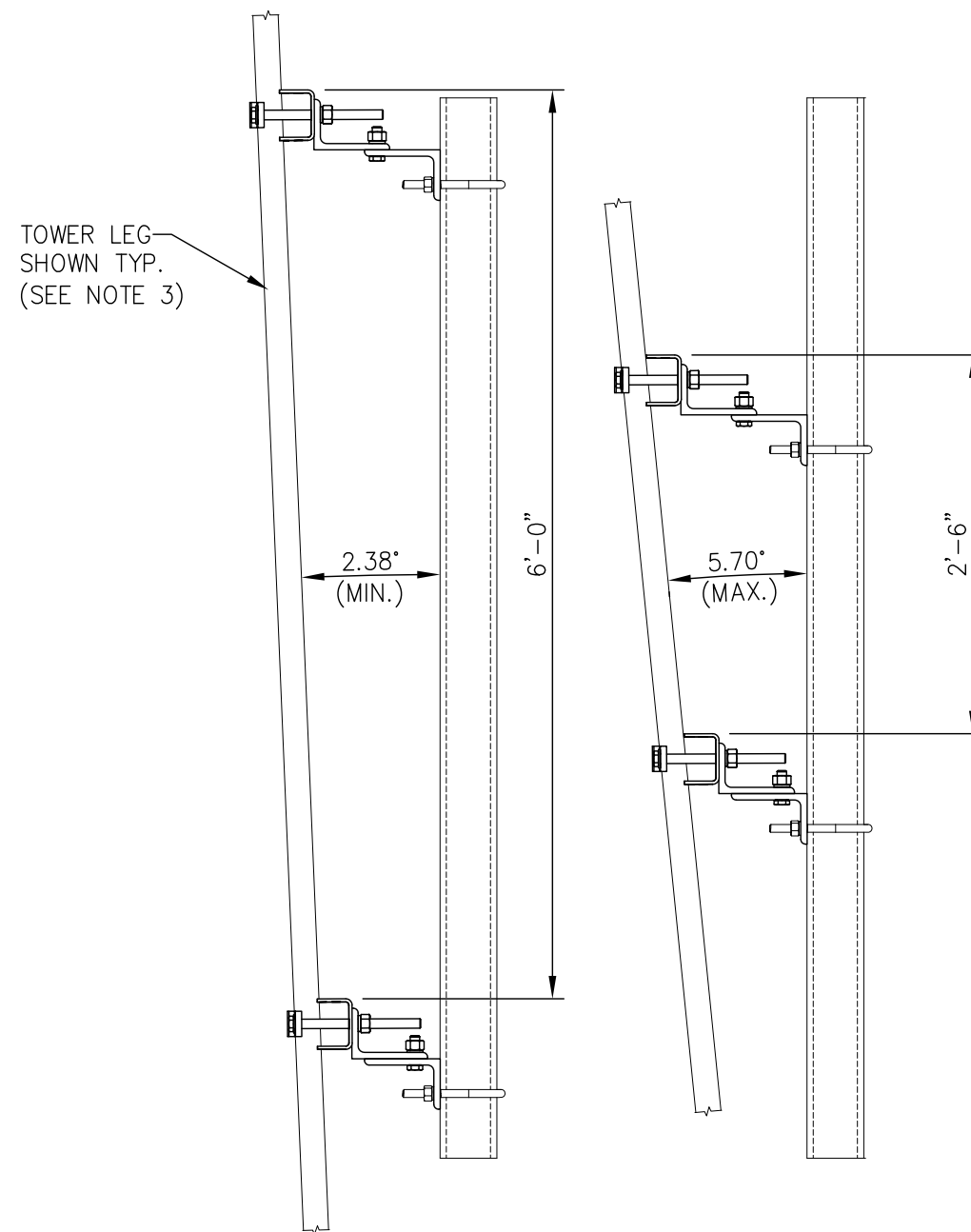
TOWER LEG SHOWN TYP.  
(SEE NOTE 3)

TOWER LEG SHOWN TYP.  
(SEE NOTE 3)

ANTENNA MOUNTING PIPE (SEE NOTE 2)

ISOMETRIC VIEW

(STRAIGHT TOWER LEG CONFIGURATION SHOWN)



TAPERED TOWER LEG OPTIONS

VARIOUS TOWER LEG TAPERS CAN BE ACCOMMODATED BY SPREADING THE MOUNTS OUT FROM 2'-6" TO 6'-0".

UNLESS OTHERWISE SPECIFIED  
ALL DIMENSIONS INCLUDE  
FINISHES AND ARE IN INCHES  
  
TOLERANCES: FRACTIONS ± 1/16"  
ANGLES ± 1/2 DEG.  
DECIMALS ± .010"

MATERIAL:  
  
TOLERANCES DO NOT APPLY  
TO RAW MATERIAL



**CONFIDENTIAL**  
Information contained herein is the sole property of Sabre Communications Corporation, constitutes a trade secret as defined by Iowa Code Ch. 550 and shall not be reproduced, copied or used in whole or in part for any purpose whatsoever without prior written consent of Sabre Communications Corporation.

ANTENNA PIPE MOUNTING KIT  
(1 1/2"Ø TO 5 9/16"Ø ROUND LEG)  
(2 1/2" X 2 1/2" TO 4" X 4" ANGLE LEG)

REV	DATE	DRW	CHK	DESCRIPTION
1	2/21/07	MLC	MC	REVISED WEIGHT ON ITEMS 1 & 2

DATE	2/15/07	SIZE	DRAWING NO.	REV
DRAWN BY	MLC	B	C10172101	1
CHECKED BY	MC		SCALE	PAGE
			None	1 OF 1