

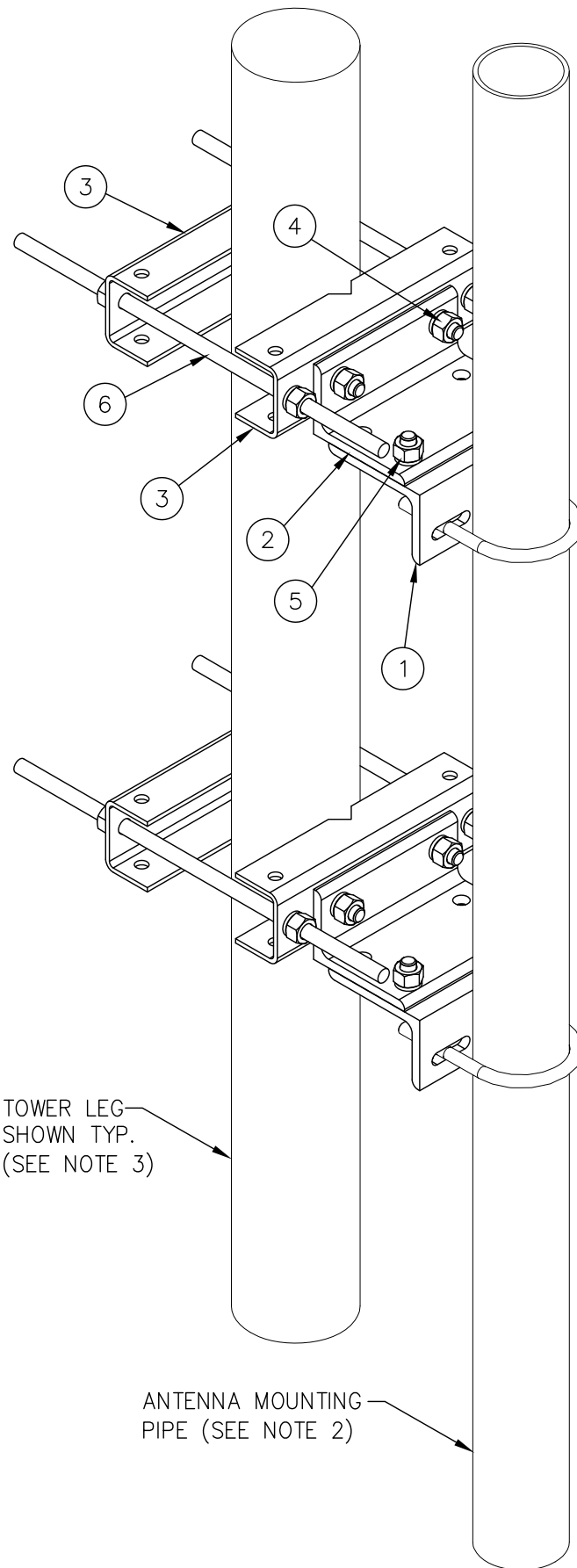


C10172102 ANTENNA PIPE MOUNTING KIT

ITEM	QTY.	PART NO.	DESCRIPTION	WEIGHT
1.	2	CS01427	ANGLE, PIPE MOUNT	25#
2.	2	CS01428	ANGLE, PIPE MOUNT	25#
3.	4	CS01360	PLATE, MOUNTING BRACKET (FORMED CHANNEL)	35#
4.	4	C40026043	BOLT ASSEMBLY, 3/4 X 2 A325	3#
5.	4	C40026045	BOLT ASSEMBLY, 3/4 X 2 1/2 A325	3#
6.	4	C40094104	THREADED ROD ASSEMBLY, 3/4 Ø X 24 A36	12#
TOTAL WEIGHT				103#

NOTES:

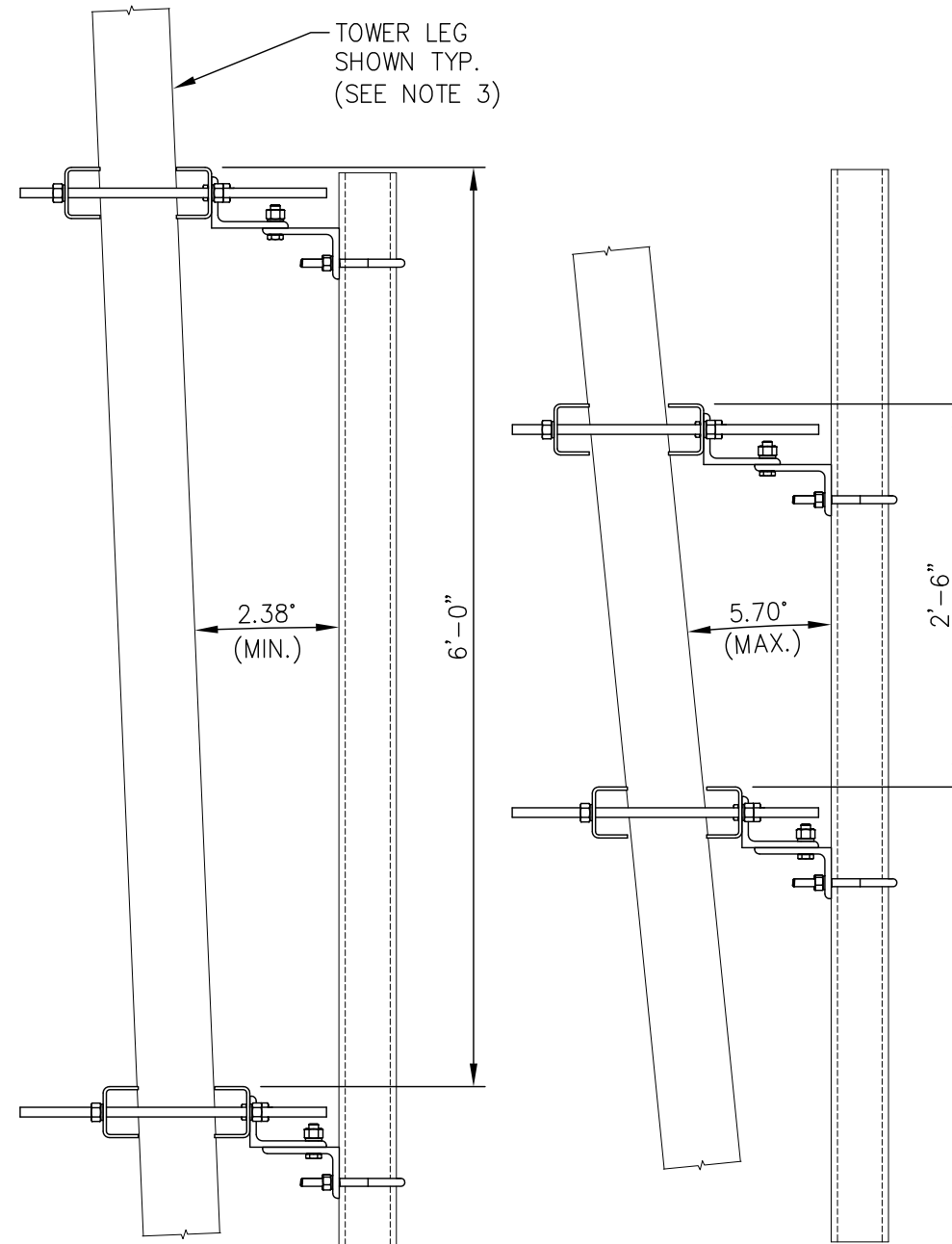
1. QUANTITIES SHOWN IN THE LIST OF MATERIAL ARE FOR ONE ANTENNA PIPE MOUNTING KIT ONLY.
2. THE ANTENNA MOUNTING PIPE KIT MUST BE PURCHASED SEPARATELY.  
THIS MOUNT WILL ACCEPT A 2 3/8"Ø TO 4 1/2"Ø MOUNTING PIPE.
3. THIS ANTENNA PIPE MOUNTING KIT WILL MOUNT TO THE FOLLOWING TOWER LEG SIZES:
  - 5 3/4"Ø TO 10 3/4"Ø ROUND LEG
  - L 5 X 5 TO L 8 X 8 ANGLE LEG



TOWER LEG SHOWN TYP. (SEE NOTE 3)

ANTENNA MOUNTING PIPE (SEE NOTE 2)

ISOMETRIC VIEW  
(STRAIGHT TOWER LEG CONFIGURATION SHOWN)



TAPERED TOWER LEG OPTIONS  
VARIOUS TOWER LEG TAPERS CAN BE ACCOMMODATED BY SPREADING THE MOUNTS OUT FROM 2'-6" TO 6'-0".

UNLESS OTHERWISE SPECIFIED ALL DIMENSIONS INCLUDE FINISHES AND ARE IN INCHES  
TOLERANCES: FRACTIONS ± 1/16"  
ANGLES ± 1/2 DEG.  
DECIMALS ± .010"

MATERIAL:  
TOLERANCES DO NOT APPLY TO RAW MATERIAL



**CONFIDENTIAL**  
Information contained herein is the sole property of Sabre Communications Corporation, constitutes a trade secret as defined by Iowa Code Ch. 550 and shall not be reproduced, copied or used in whole or in part for any purpose whatsoever without prior written consent of Sabre Communications Corporation.

ANTENNA PIPE MOUNTING KIT  
(5 3/4"Ø TO 10 3/4"Ø ROUND LEG)  
(5" TO 8" ANGLE LEG)

REV	DATE	DRW	CHK	DESCRIPTION
1	2/21/07	MLC	MC	REVISED WEIGHT ON ITEMS 1 & 2

DATE	2/15/07	SIZE	B	DRAWING NO.	C10172102	REV	1
DRAWN BY	MLC	CHECKED BY	MC	SCALE	None	PAGE	1 OF 1