

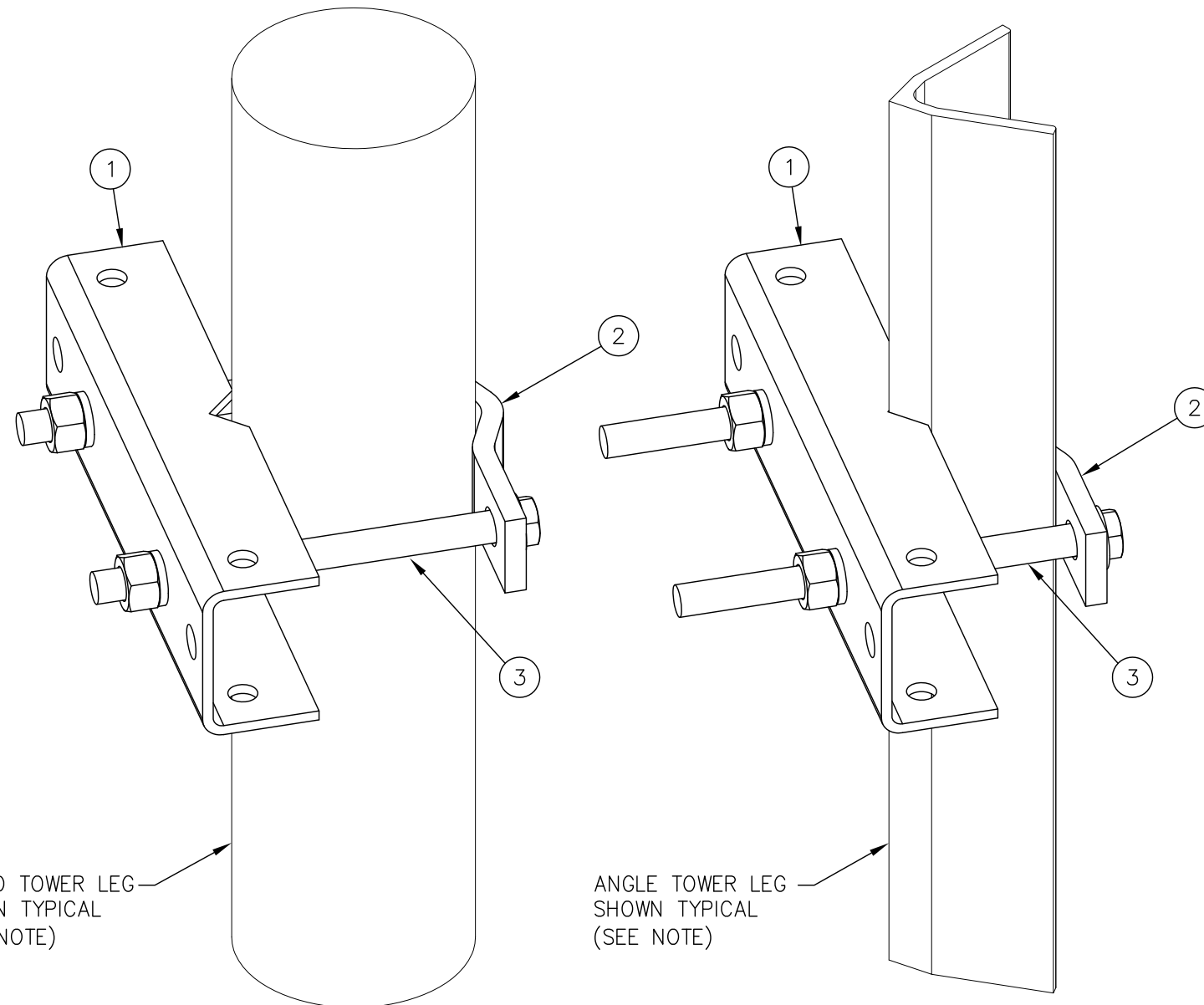


C10177101 TIEBACK KIT

ITEM	QTY.	PART NO.	DESCRIPTION	WEIGHT
1.	1	CS01360	PLATE, MOUNTING BRACKET (FORMED CHANNEL)	8.8#
2.	1	CS01361	PLATE, 2 HOLE ADAPTER CLAMP	2.7#
3.	2	C40140001	BOLT ASSEMBLY, 3/4 X 10 A307 W/NUT, LKW, FLW	4.0#
			TOTAL WEIGHT	15.5#

**NOTE:**

THIS TIEBACK KIT WILL MOUNT TO THE FOLLOWING:  
 - 1 1/2"Ø TO 5 9/16"Ø ROUND LEG  
 - L 2 1/2 X 2 1/2 TO L 4 X 4 ANGLE LEG



ROUND TOWER LEG  
SHOWN TYPICAL  
(SEE NOTE)

ANGLE TOWER LEG  
SHOWN TYPICAL  
(SEE NOTE)

ISOMETRIC VIEW

UNLESS OTHERWISE SPECIFIED  
ALL DIMENSIONS INCLUDE  
FINISHES AND ARE IN INCHES

TOLERANCES: FRACTIONS ± 1/16"  
ANGLES ± 1/2 DEG.  
DECIMALS ± .010"

MATERIAL:

TOLERANCES DO NOT APPLY  
TO RAW MATERIAL



**CONFIDENTIAL**

This document and the information contained herein is the confidential trade secret property of Sabre Communications Corporation ("Sabre") and must not be reproduced, copied or used, in whole or in part, for any purpose without the prior written consent of Sabre.

© 2007 Sabre Communications Corporation. All rights reserved.

TIEBACK KIT  
 1 1/2"Ø TO 5 9/16"Ø LEGS  
 2 1/2" X 2 1/2" TO 4" X 4" ANGLE LEG

REV	DATE	DRW/CHK	DESCRIPTION

DATE	1/23/07	SIZE B	DRAWING NO. C10177101	REV 0
DRAWN BY	MLC			SCALE None
CHECKED BY	MC			