



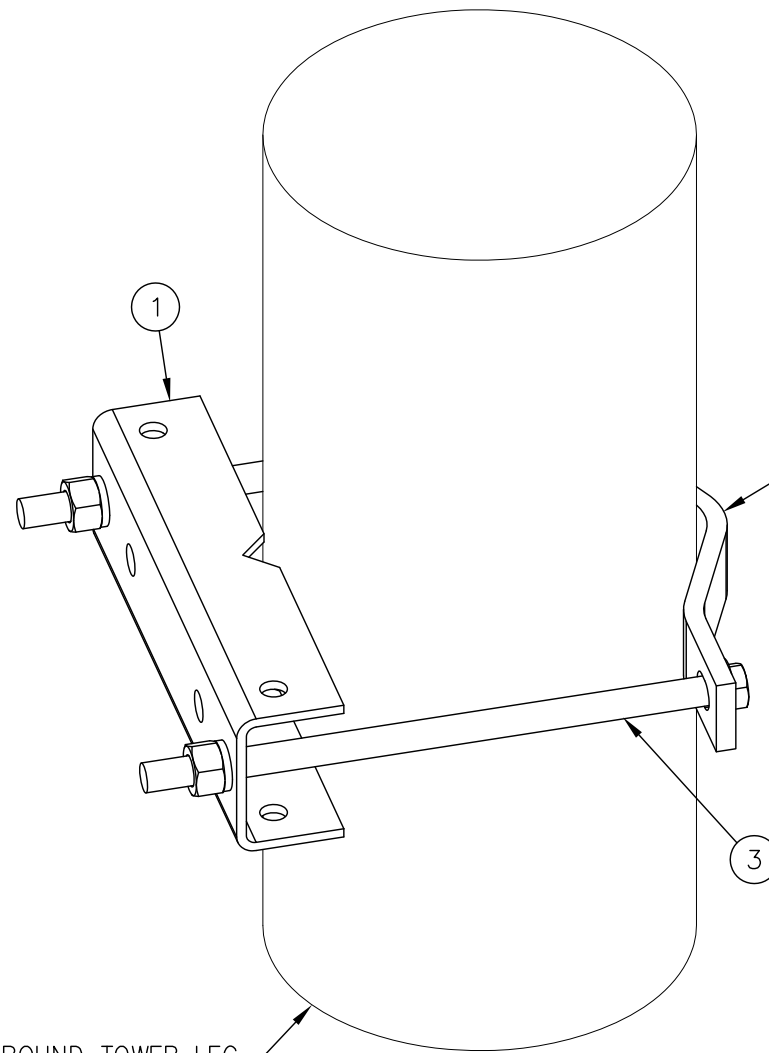
C10177102 TIEBACK KIT

ITEM	QTY.	PART NO.	DESCRIPTION	WEIGHT
1.	1	CS01360	PLATE, MOUNTING BRACKET (FORMED CHANNEL)	8.8#
2.	1	CS01362	PLATE, 2 HOLE ADAPTER CLAMP	4.2#
3.	2	C40140002	BOLT ASSEMBLY, 3/4 X 15 A307 W/NUT, LKW, FW (9" THREAD)	5.0#
			TOTAL WEIGHT	18.0#

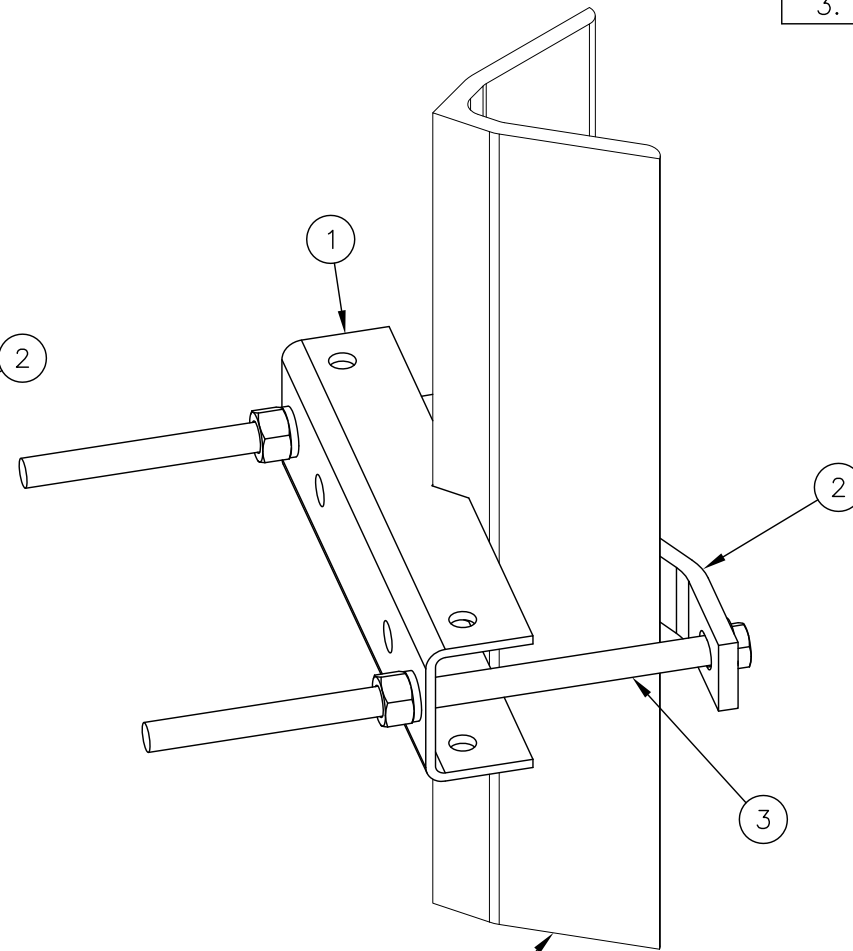
**NOTE:**

THIS TIEBACK KIT WILL MOUNT TO THE FOLLOWING:

- 5 3/4"Ø TO 10 3/4"Ø ROUND LEG
- L 5 X 5 TO L 8 X 8 ANGLE LEG



ROUND TOWER LEG  
SHOWN TYPICAL  
(SEE NOTE)



ANGLE TOWER LEG  
SHOWN TYPICAL  
(SEE NOTE)

ISOMETRIC VIEW

UNLESS OTHERWISE SPECIFIED  
ALL DIMENSIONS INCLUDE  
FINISHES AND ARE IN INCHES  
  
TOLERANCES: FRACTIONS ± 1/16"  
ANGLES ± 1/2 DEG.  
DECIMALS ± .010"

MATERIAL:  
  
TOLERANCES DO NOT APPLY  
TO RAW MATERIAL



**CONFIDENTIAL**  
This document and the information  
contained herein is the confidential trade  
secret property of Sabre Communications  
Corporation ("Sabre") and must not be  
reproduced, copied or used, in whole or in  
part, for any purpose without the prior  
written consent of Sabre.  
© 2007 Sabre Communications Corporation.  
All rights reserved.

TIEBACK KIT  
5 3/4"Ø TO 10 3/4"Ø LEGS  
5" X 5" TO 8" X 8" ANGLE LEG

REV	DATE	DRW	CHK	DESCRIPTION

DATE	1/23/07	SIZE	B	DRAWING NO.	C10177102	REV	0
DRAWN BY	MLC	CHECKED BY	MC	SCALE	None	PAGE	1 OF 1