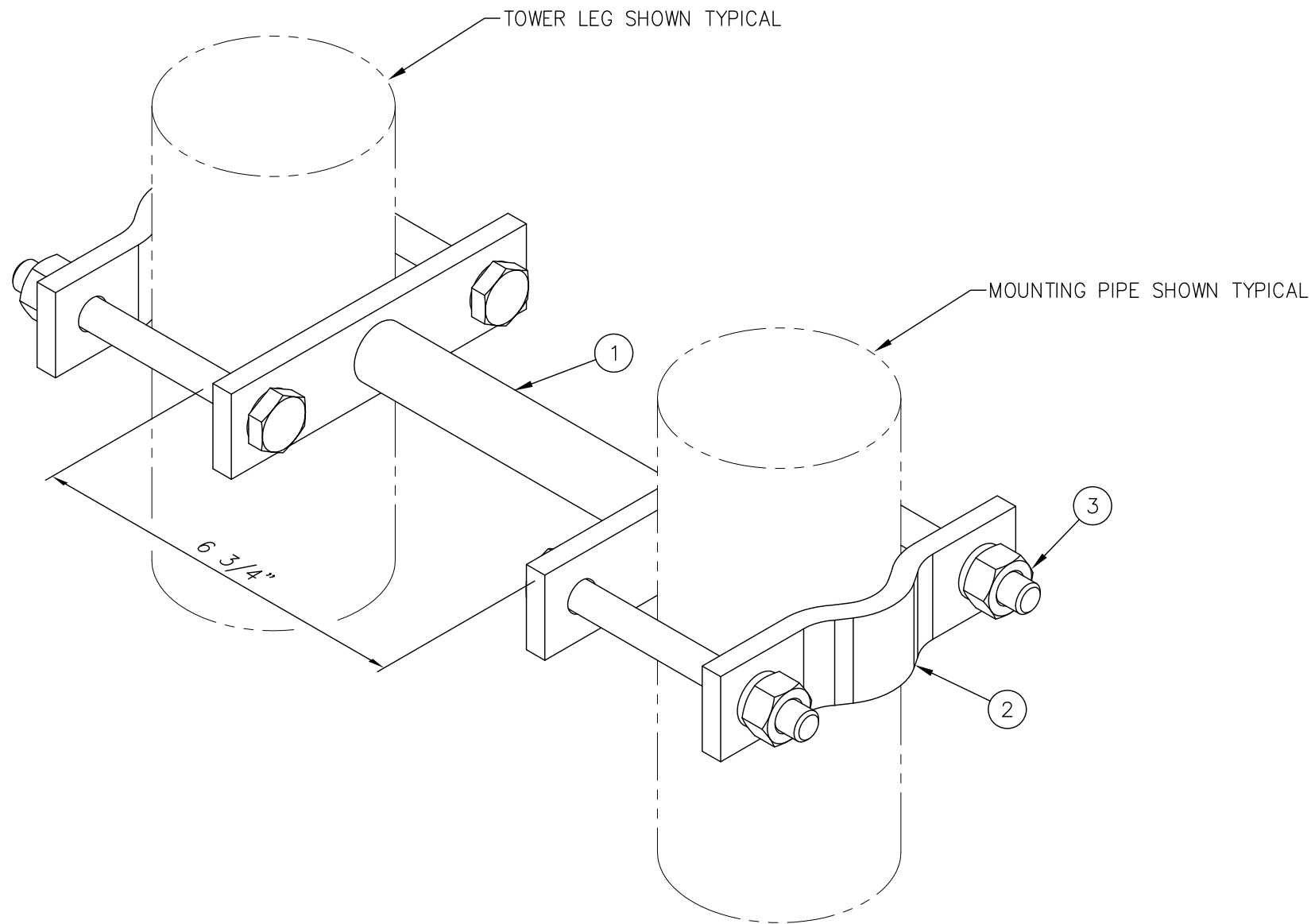




C10180001 LIST OF MATERIAL FOR STANDOFF BRACKET

ITEM	QTY.	PART NO.	DESCRIPTION	WEIGHT
1.	1	CW00591	WELDMENT, STANDOFF BRACKET	3#
2.	2	CS01662	PLATE, BACK-UP	2#
3.	4	C40140003	BOLT ASSEMBLY, 1/2" Ø X 5 A307 (FULL THREAD)	2#
			TOTAL WEIGHT	7#



ISOMETRIC VIEW

UNLESS OTHERWISE SPECIFIED  
ALL DIMENSIONS INCLUDE  
FINISHES AND ARE IN INCHES

TOLERANCES: FRACTIONS ± 1/16"  
ANGLES ± 1/2 DEG.  
DECIMALS ± .010"

MATERIAL:

TOLERANCES DO NOT APPLY  
TO RAW MATERIAL



STANDOFF BRACKET  
(1 1/4" Ø TO 3 1/2" Ø ROUND)

**CONFIDENTIAL**  
Information contained herein is the sole property of Sabre Communications Corporation, constitutes a trade secret as defined by Iowa Code Ch. 550 and shall not be reproduced, copied or used in whole or in part for any purpose whatsoever without prior written consent of Sabre Communications Corporation.

REV	DATE	DRW/CHK	DESCRIPTION

DATE	1/2/08	SIZE	B	DRAWING NO.	C10180001	REV	0
DRAWN BY	MLC	CHECKED BY	MC	SCALE	None	PAGE	1 OF 1