

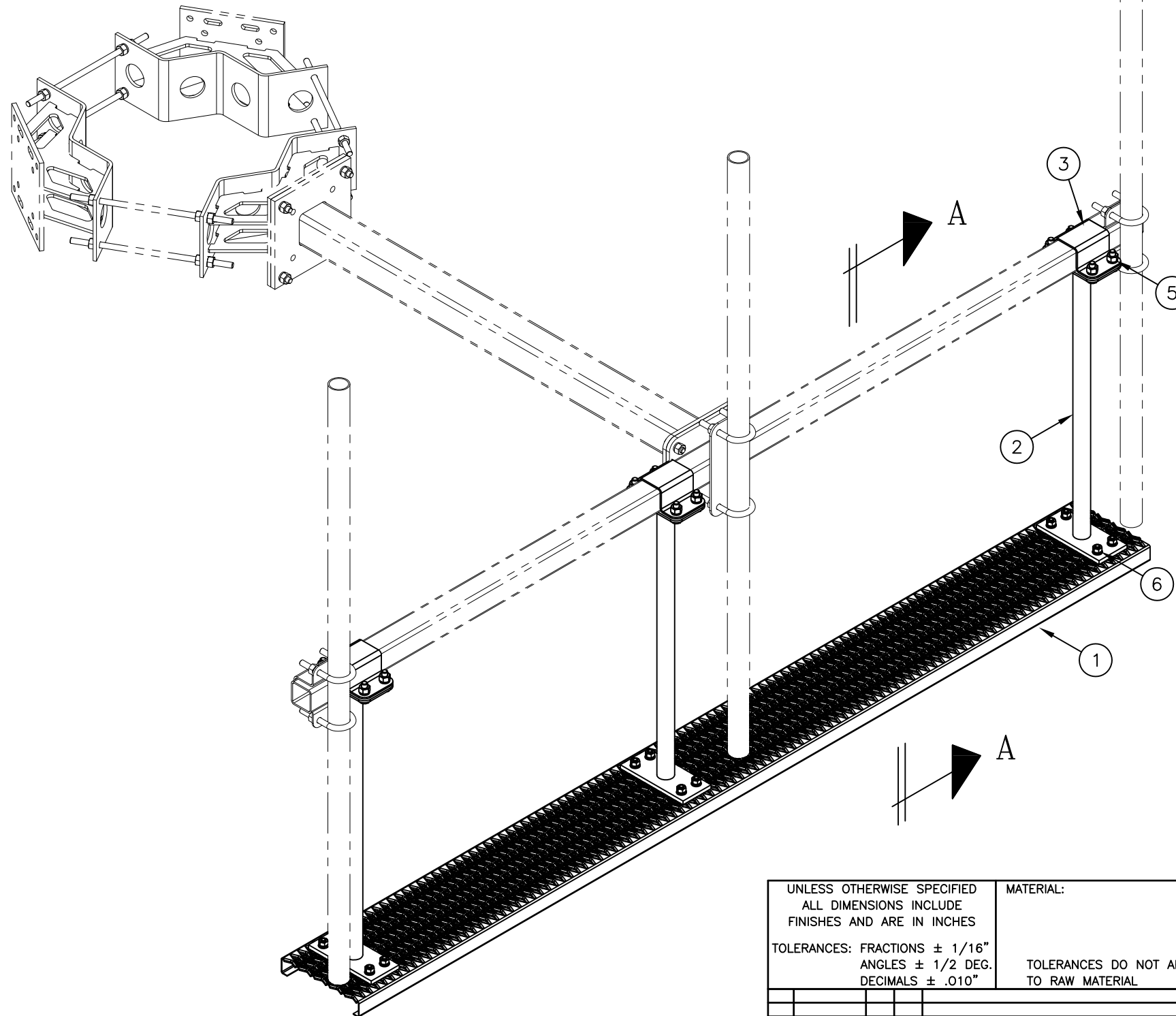


C10181014 (1) T-ARM WORK PLATFORM ASSEMBLY

(1)	GRATING	44#
(3)	CK00099 HARDWARE KIT	87#
TOTAL WEIGHT		131#

NOTES:

1. QUANTITIES SHOWN IN LIST OF MATERIAL ARE FOR ONE (1) T-ARM WORK PLATFORM ONLY.
2. TRI-COLLAR MOUNTS ARE SHOWN TYPICAL AND MUST BE PURCHASED SEPARATELY.
3. T-ARM MOUNTS MUST BE PURCHASED SEPARATELY.



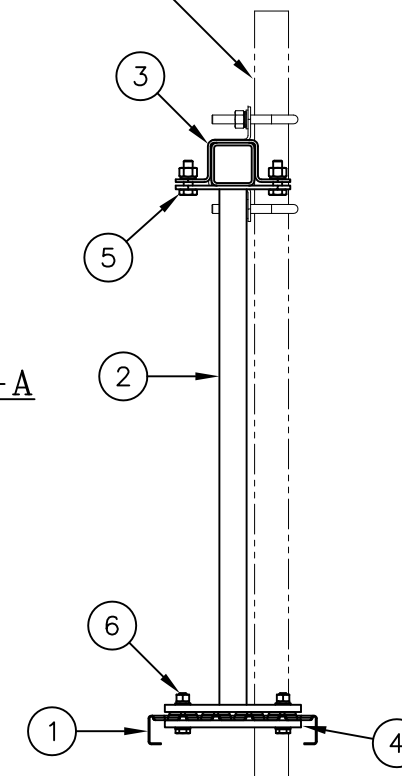
ISOMETRIC VIEW

LIST OF MATERIAL				
ITEM	QTY.	PART NO.	DESCRIPTION	WEIGHT
1.	1	C20137001	GRIP STRUT GRATING (11 3/4" X 10'-0")	44#
TOTAL WEIGHT				44#

CK00099 KIT LIST OF MATERIAL				
ITEM	QTY.	PART NO.	DESCRIPTION	WEIGHT
2.	1	CW00680	WELDMENT, T-ARM WORK PLATFORM SUPPORT	17#
3.	1	CS01793	PIPE MOUNT, SQUARE TUBE	3#
4.	1	CS00946	PLATE, BACKUP	5#
5.	4	C40026023	BOLT ASSEMBLY, 5/8 X 2 A325	2#
6.	4	C40026008	BOLT ASSEMBLY, 1/2 X 2 3/4 A325	2#
TOTAL WEIGHT				29#

ANTENNA MOUNTING PIPE

VIEW A-A



UNLESS OTHERWISE SPECIFIED
ALL DIMENSIONS INCLUDE
FINISHES AND ARE IN INCHES

TOLERANCES: FRACTIONS ± 1/16"
ANGLES ± 1/2 DEG.
DECIMALS ± .010"

MATERIAL:

TOLERANCES DO NOT APPLY
TO RAW MATERIAL



T-ARM WORK PLATFORM ASSEMBLY
(FITS 3" SQUARE TUBE)

REV	DATE	DRW/CHK	DESCRIPTION
1	4/2/08	MLC/MC	REDRAWN IN AUTOCAD

CONFIDENTIAL

This document and the information contained herein is the confidential trade secret property of Sabre Communications Corporation ("Sabre") and must not be reproduced, copied or used, in whole or in part, for any purpose without the prior written consent of Sabre.

© 2013 Sabre Communications Corporation. All rights reserved.

DATE	10/1/2008	SIZE	B	DRAWING NO.	C10181014	REV	1
DRAWN BY	JV	SCALE	None	PAGE	1 OF 1		
CHECKED BY							