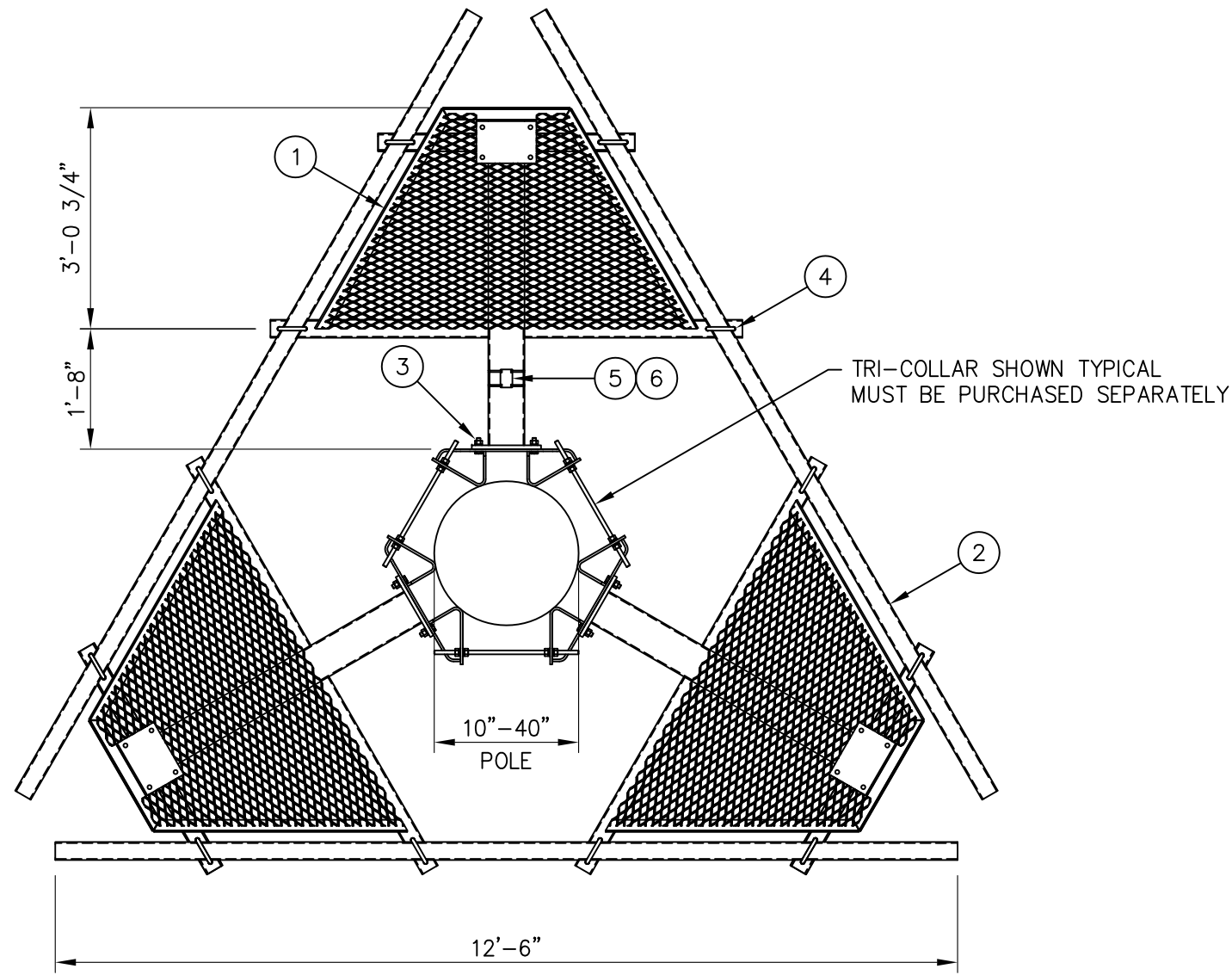


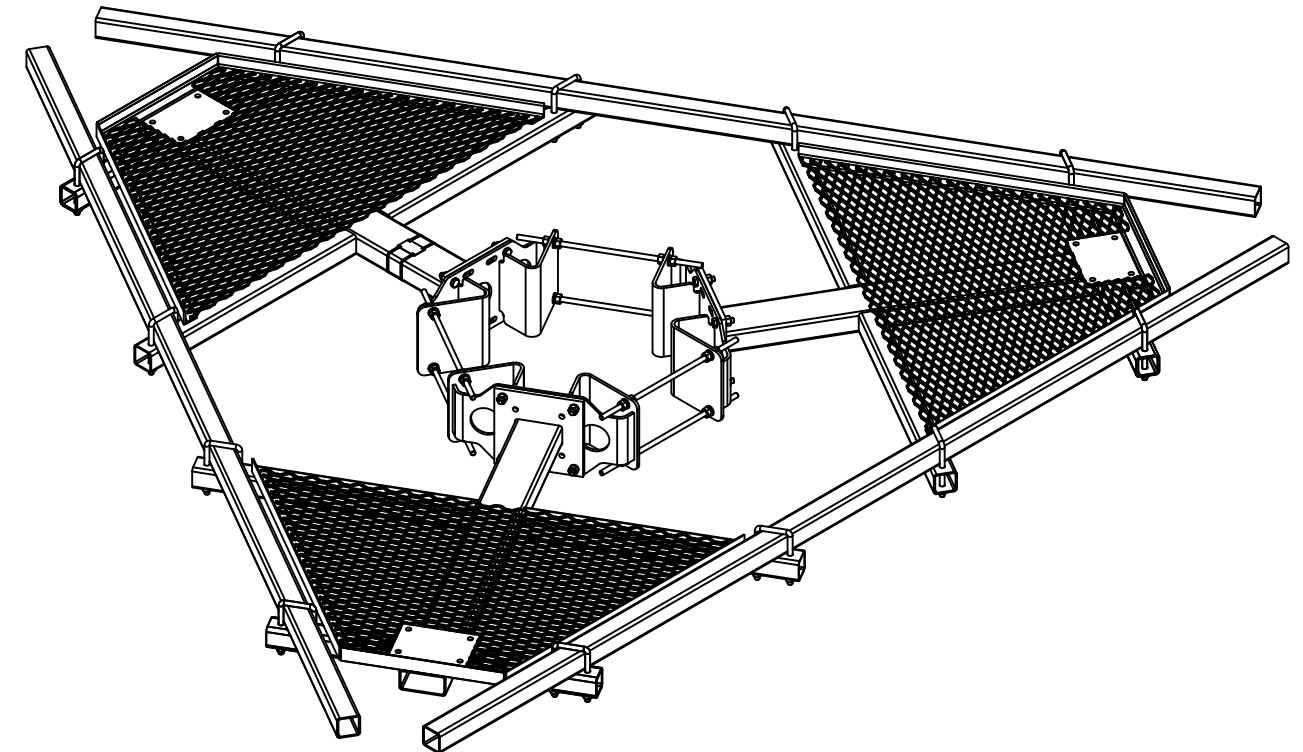


C10855111C 12' HC PLATFORM (NO COLLARS)

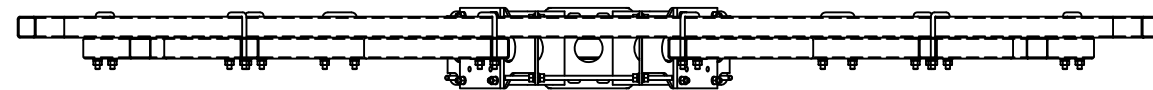
ITEM	QTY.	PART NO.	DESCRIPTION	WEIGHT
1.	3	CW01320	WELDMENT, PLATFORM CORNER	612
2.	3	CS03348	SQUARE TUBE, 3 X 3 X 3/16 X 12'-6	268
3.	12	C40026024	BOLT ASSEMBLY, 5/8 $\phi$ X 2 1/4 A325	6
4.	12	C40035017	SQ. U-BOLT ASSEMBLY, 5/8 $\phi$ X 4 1/4 C-C	25
5.	1	Z30992005	MOUNT CLASSIFICATION TAG C10855111C	1
6.	2	C40062104	STAINLESS STEEL SELF-LOCKING CABLE TIE	1
TOTAL WEIGHT				913



PLAN VIEW



ISOMETRIC VIEW



ELEVATION VIEW

UNLESS OTHERWISE SPECIFIED ALL DIMENSIONS INCLUDE FINISHES AND ARE IN INCHES		MATERIAL:	
TOLERANCES: FRACTIONS $\pm$ 1/16" ANGLES $\pm$ 1/2 DEG. DECIMALS $\pm$ .010"		TOLERANCES DO NOT APPLY TO RAW MATERIAL	
REV	DATE	DRW/CHK	DESCRIPTION
1	04/18/16	WRF/KLE	DESIGN UPDATE



**CONFIDENTIAL**  
This document and the information contained herein is the confidential trade secret property of Sabre Communications Corporation ("Sabre") and must not be reproduced, copied or used, in whole or in part, for any purpose without the prior written consent of Sabre.  
© 2016 Sabre Communications Corporation. All rights reserved.

12' HC PLATFORM (NO COLLARS)  
FITS 10"  $\phi$  TO 40"  $\phi$  MONOPOLES

DATE	01/20/16	SIZE B	DRAWING NO. C10855111C	REV 1
DRAWN BY	WRF			SCALE None
CHECKED BY	KLE			