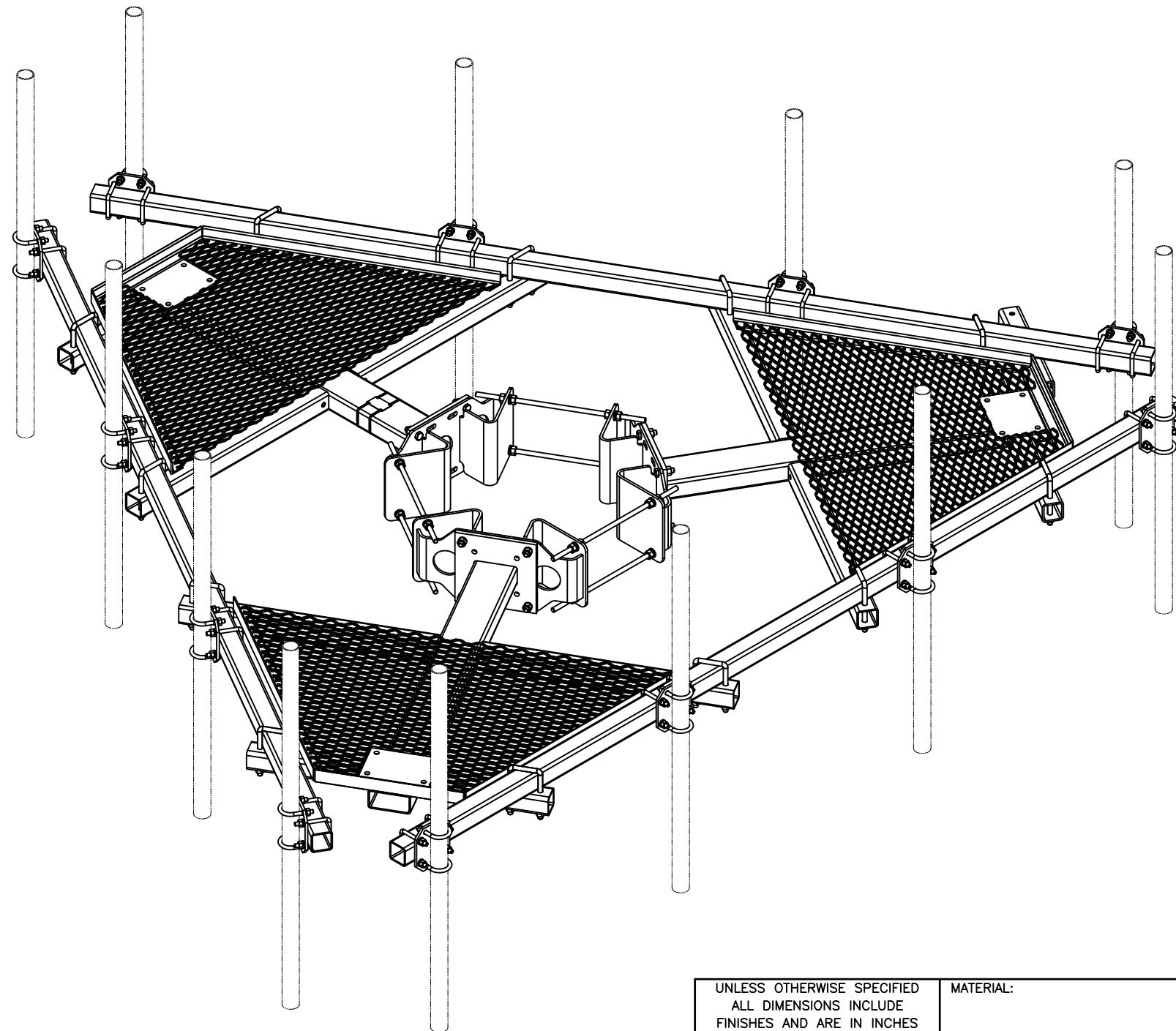




C10855442C 12' HC PLATFORM W/CROSSOVERS AND COLLAR

ITEM	QTY.	PART NO.	DESCRIPTION	WEIGHT
1.	1	C10112377	TRI-COLLAR BRACKET ASSEMBLY (10"-40" MONOPOLE)	208
2.	3	CW01320	WELDMENT, PLATFORM CORNER	612
3.	3	CS03348	SQUARE TUBE, 3 X 3 X 3/16 X 12'-6	268
4.	12	CS03350	CROSSOVER PLATE	53
5.	12	C40026024	BOLT ASSEMBLY, 5/8 $\phi$ X 2 1/4 A325	6
6.	12	C40035017	SQ. U-BOLT ASSEMBLY, 5/8 $\phi$ X 4 1/4 C-C	25
7.	24	C40035106	SQ. U-BOLT ASSEMBLY, 1/2 $\phi$ X 3 5/8 C-C	23
8.	24	C40034139	U-BOLT ASSEMBLY, 1/2 $\phi$ X 2 15/16 C-C	20
9.	1	Z30992008	MOUNT CLASSIFICATION TAG C10855441C	1
10.	2	C40062104	STAINLESS STEEL SELF-LOCKING CABLE TIE	1
TOTAL WEIGHT				1217



2 3/8"  $\phi$  MOUNTING PIPES  
MUST BE PURCHASED SEPARATELY

**ISOMETRIC VIEW**

SEE PAGES 2 & 3 FOR ADDITIONAL DETAILS

UNLESS OTHERWISE SPECIFIED  
ALL DIMENSIONS INCLUDE  
FINISHES AND ARE IN INCHES  
TOLERANCES: FRACTIONS  $\pm$  1/16"  
ANGLES  $\pm$  1/2 DEG.  
DECIMALS  $\pm$  .010"

MATERIAL:  
TOLERANCES DO NOT APPLY  
TO RAW MATERIAL

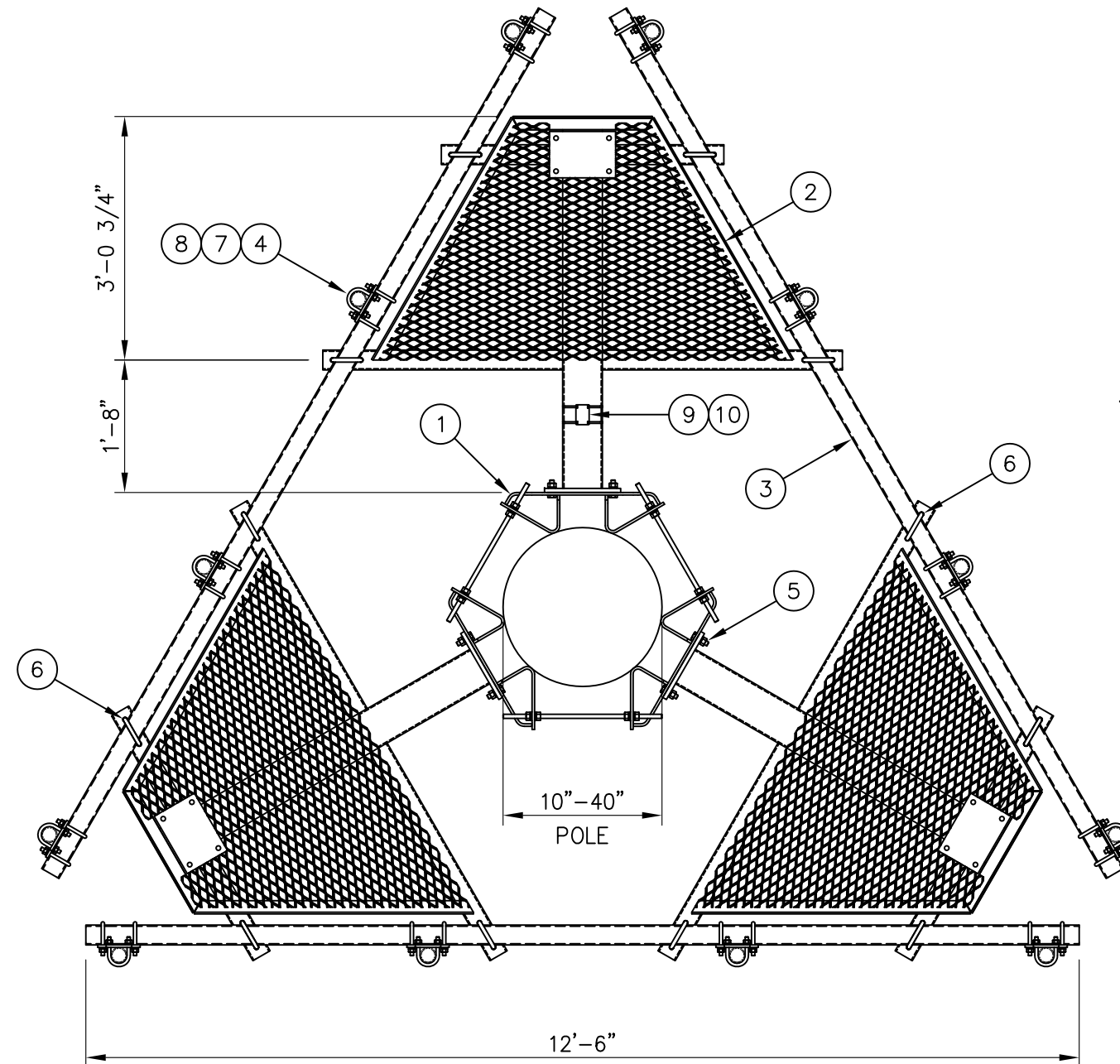


12' HC PLATFORM WITH COLLAR &  
2 3/8"  $\phi$  - 3" SQUARE CROSSOVERS  
FITS 10"  $\phi$  TO 40"  $\phi$  MONOPOLES

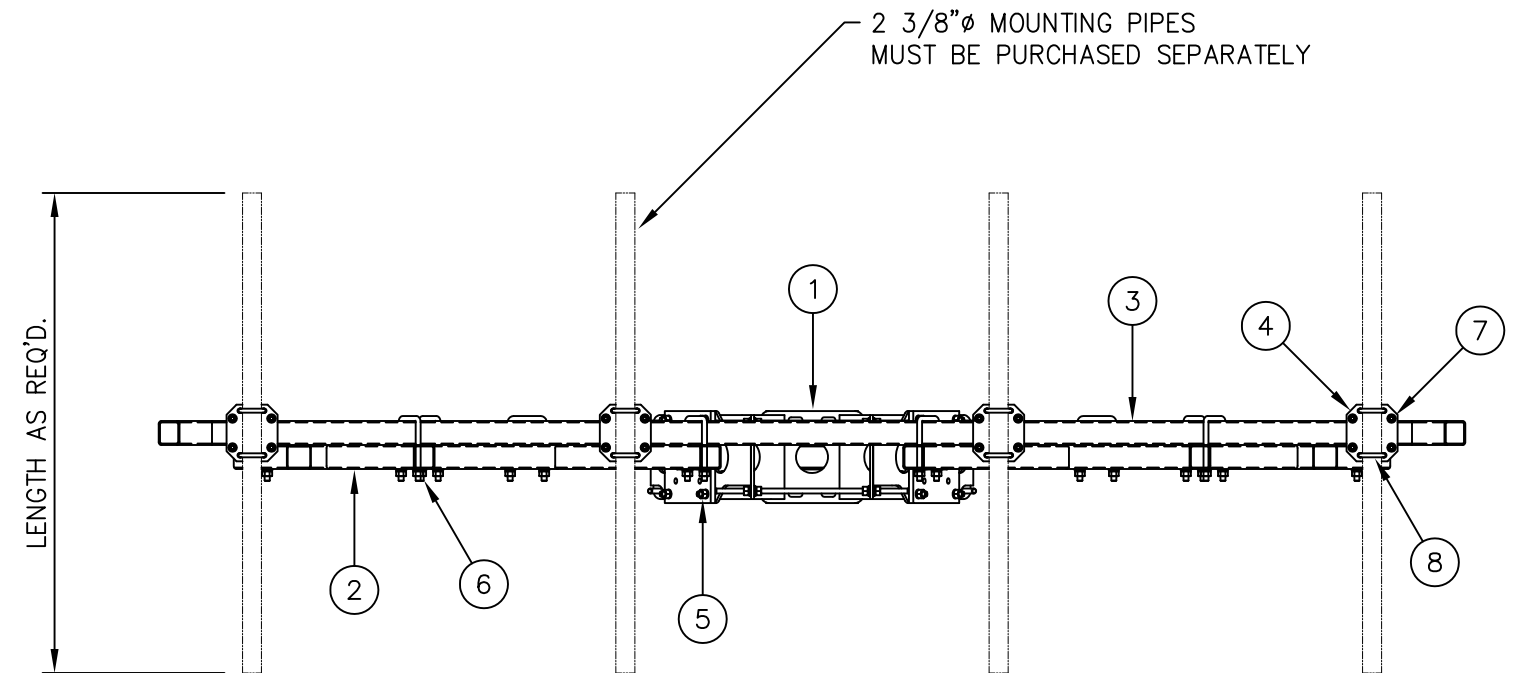
REV	DATE	DRW/CHK	DESCRIPTION
1	04/18/16	WRF/KLE	DESIGN UPDATE

**CONFIDENTIAL**  
This document and the information  
contained herein is the confidential trade  
secret property of Sabre Communications  
Corporation ("Sabre") and must not be  
reproduced, copied or used, in whole or in  
part, for any purpose without the prior  
written consent of Sabre.  
© 2016 Sabre Communications Corporation.  
All rights reserved.

DATE	02/23/16	SIZE	DRAWING NO.	REV
		B	C10855442C	1
DRAWN BY	WRF		SCALE	PAGE
CHECKED BY	KLE		None	1 OF 3



PLAN VIEW



FRONT VIEW

UNLESS OTHERWISE SPECIFIED  
ALL DIMENSIONS INCLUDE  
FINISHES AND ARE IN INCHES  
TOLERANCES: FRACTIONS  $\pm 1/16$ "  
ANGLES  $\pm 1/2$  DEG.  
DECIMALS  $\pm .010$ "

MATERIAL:  
TOLERANCES DO NOT APPLY  
TO RAW MATERIAL

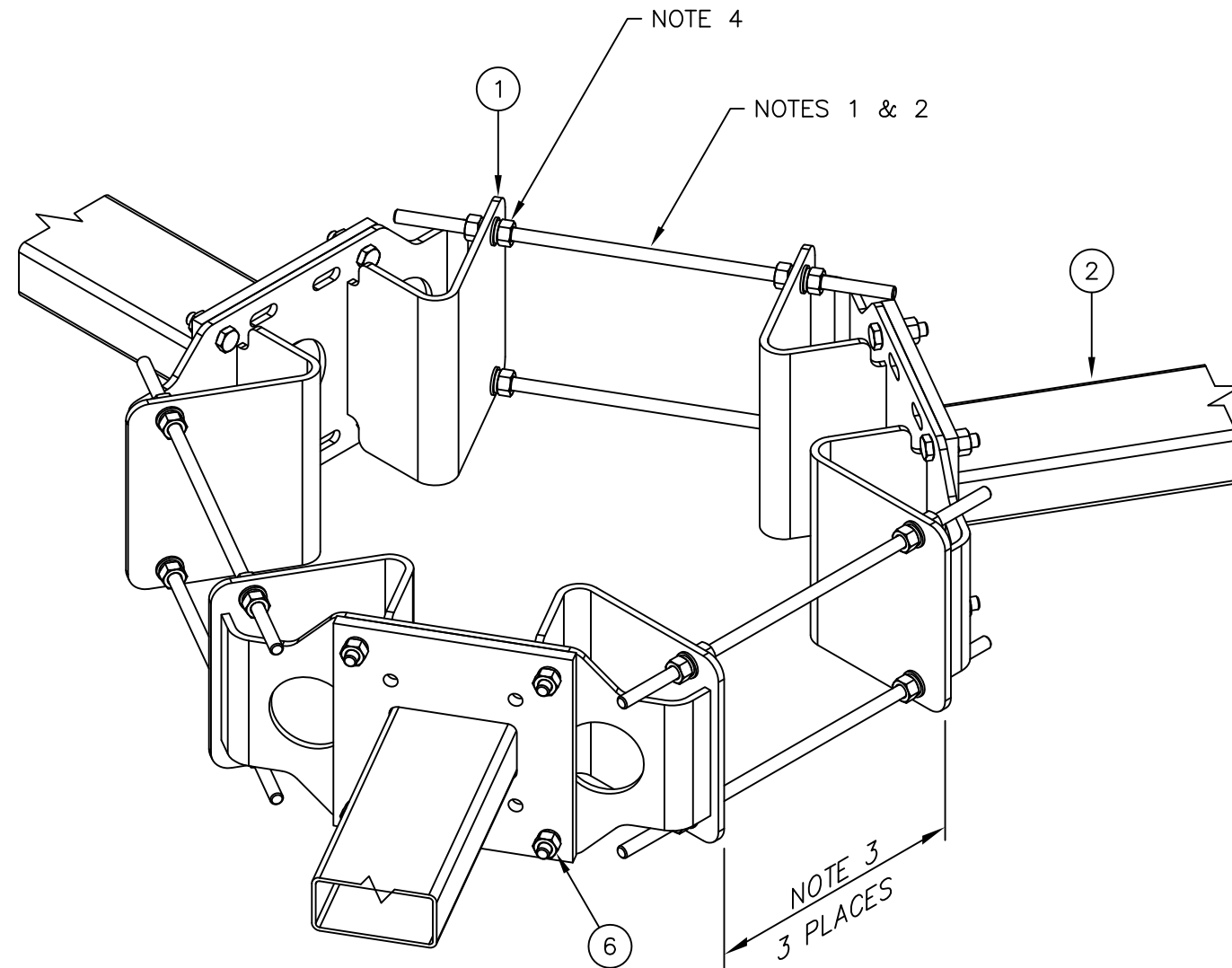


12' HC PLATFORM WITH COLLAR &  
2 3/8"  $\phi$  - 3" SQUARE CROSSOVERS  
FITS 10"  $\phi$  TO 40"  $\phi$  MONOPOLES

REV	DATE	DRW	CHK	DESCRIPTION
1	04/18/16	WRF	KLE	DESIGN UPDATE

**CONFIDENTIAL**  
This document and the information  
contained herein is the confidential trade  
secret property of Sabre Communications  
Corporation ("Sabre") and must not be  
reproduced, copied or used, in whole or in  
part, for any purpose without the prior  
written consent of Sabre.  
© 2016 Sabre Communications Corporation.  
All rights reserved.

DATE	02/23/16	SIZE	B	DRAWING NO.	C10855442C	REV	1
DRAWN BY	WRF	SCALE	None	PAGE	2 OF 3		
CHECKED BY	KLE						



**TRI-COLLAR NOTES:**

1. THERE ARE (2) LENGTHS OF THREADED ROD SUPPLIED TO ACCOMMODATE DIAMETERS LISTED BELOW.  
 USE 5/8 X 1'-6" THREADED ROD ASSEMBLY FOR 10"-24" MONOPOLE DIAMETERS.  
 USE 5/8 X 2'-9" THREADED ROD ASSEMBLY FOR 24"-40" MONOPOLE DIAMETERS (SEE NOTE 2).
2. THREADED ROD MAY BE SHORTENED IF REQUIRED, FIELD CUT AND COLD GALV SPRAY TO SUIT.
3. THIS DISTANCE MUST BE EQUAL IN ALL (3) THREE LOCATIONS TO ENSURE THE STRUCTURAL INTEGRITY OF THE THREADED RODS AS WELL AS 120° SEPARATION.
4. FOR MONOPOLES 13" DIA. OR SMALLER, ONLY (1) ONE NUT AND (1) ONE LOCKWASHER ARE REQUIRED BETWEEN THE TRI-COLLAR BRACKETS.  
 FOR MONOPOLES LARGER THAN 13" DIA., (2) TWO NUTS AND (2) TWO LOCKWASHERS ARE REQUIRED BETWEEN THE TRI-COLLAR BRACKETS.

TRI-COLLAR DETAIL

UNLESS OTHERWISE SPECIFIED ALL DIMENSIONS INCLUDE FINISHES AND ARE IN INCHES		MATERIAL:				<b>12' HC PLATFORM WITH COLLAR &amp; 2 3/8"Ø - 3" SQUARE CROSSOVERS FITS 10"Ø TO 40"Ø MONOPOLES</b>					
TOLERANCES: FRACTIONS ± 1/16" ANGLES ± 1/2 DEG. DECIMALS ± .010"		TOLERANCES DO NOT APPLY TO RAW MATERIAL									
				<b>CONFIDENTIAL</b> This document and the information contained herein is the confidential trade secret property of Sabre Communications Corporation ("Sabre") and must not be reproduced, copied or used, in whole or in part, for any purpose without the prior written consent of Sabre. © 2016 Sabre Communications Corporation. All rights reserved.		DATE	02/23/16	SIZE B	DRAWING NO. C10855442C	REV	1
1	04/18/16	WRF	KLE			DESIGN UPDATE	DRAWN BY			WRF	SCALE None
REV	DATE	DRW	CHK			DESCRIPTION	CHECKED BY	KLE			