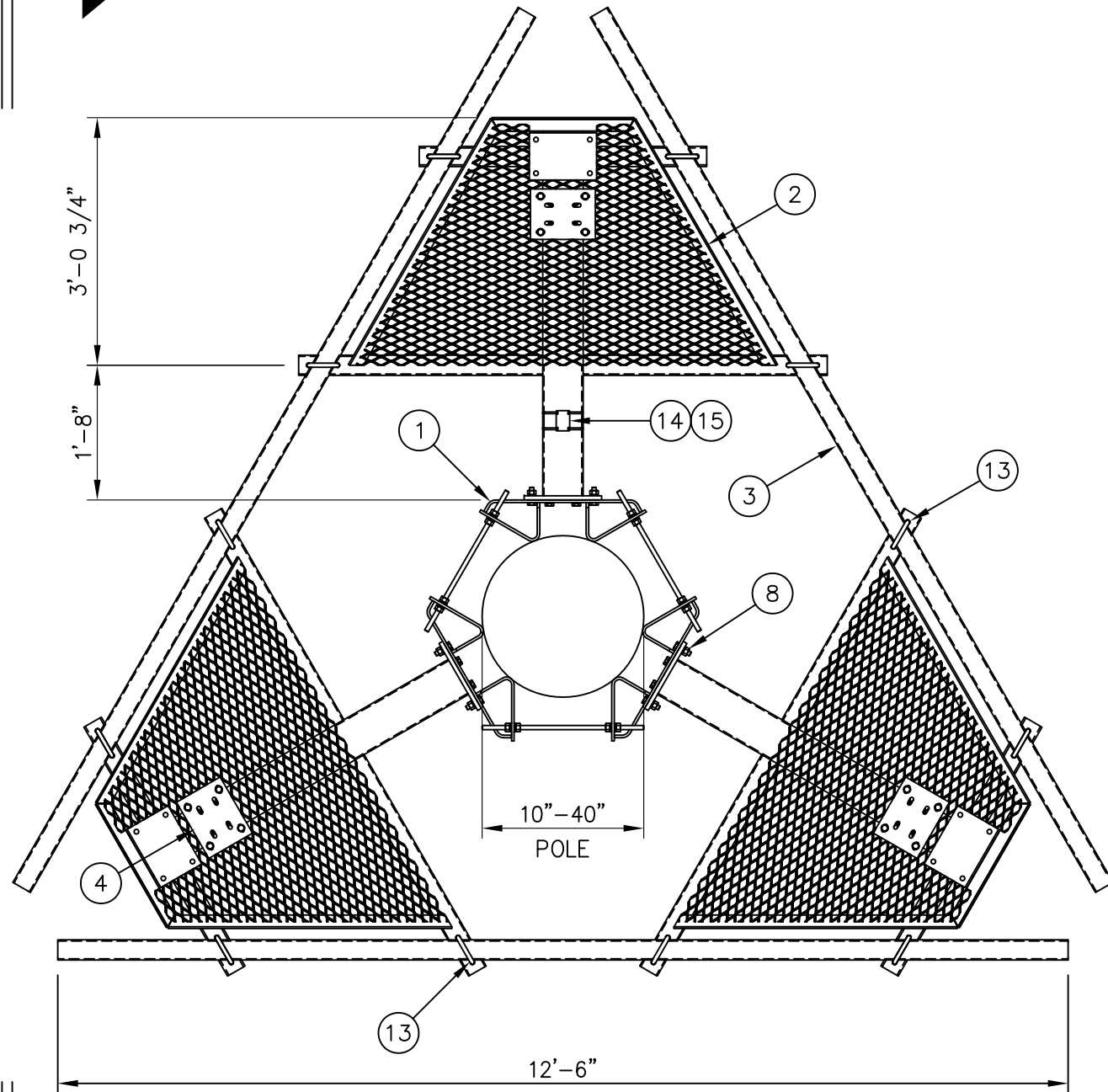




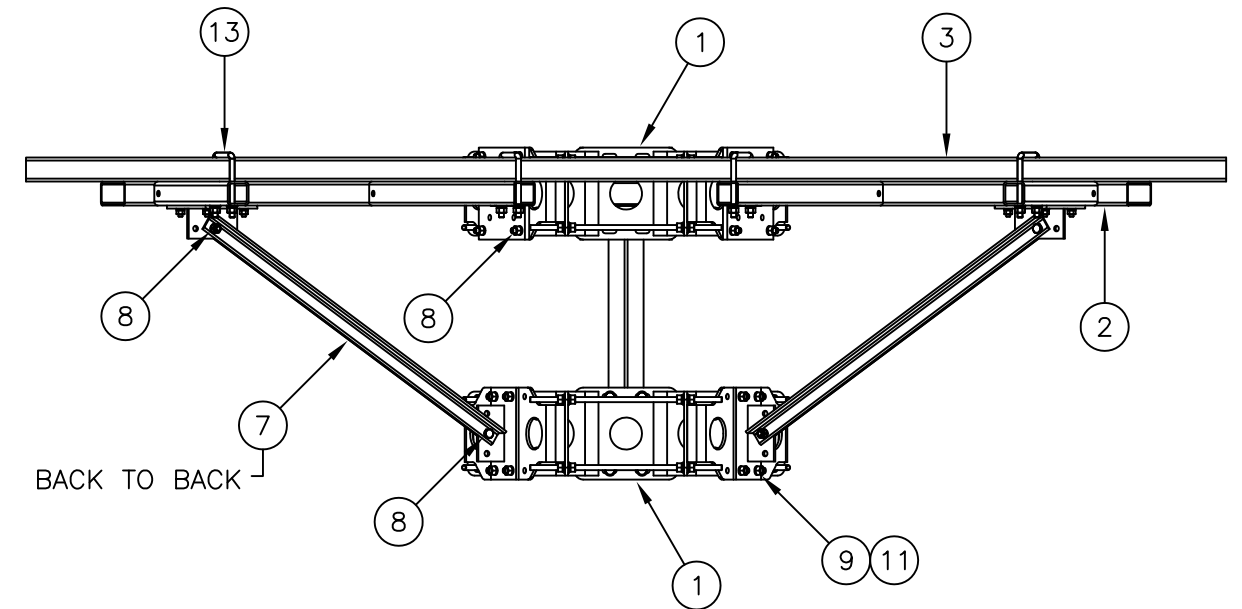


A



PLAN VIEW

A



FRONT VIEW

UNLESS OTHERWISE SPECIFIED  
ALL DIMENSIONS INCLUDE  
FINISHES AND ARE IN INCHES  
TOLERANCES: FRACTIONS  $\pm 1/16''$   
ANGLES  $\pm 1/2$  DEG.  
DECIMALS  $\pm .010''$

MATERIAL:  
TOLERANCES DO NOT APPLY  
TO RAW MATERIAL



12' HD PLATFORM WITH COLLARS  
FITS 10"Ø TO 40"Ø MONOPOLES

REV	DATE	DRW	CHK	DESCRIPTION
1	04/18/16	WRF	KLE	DESIGN UPDATE

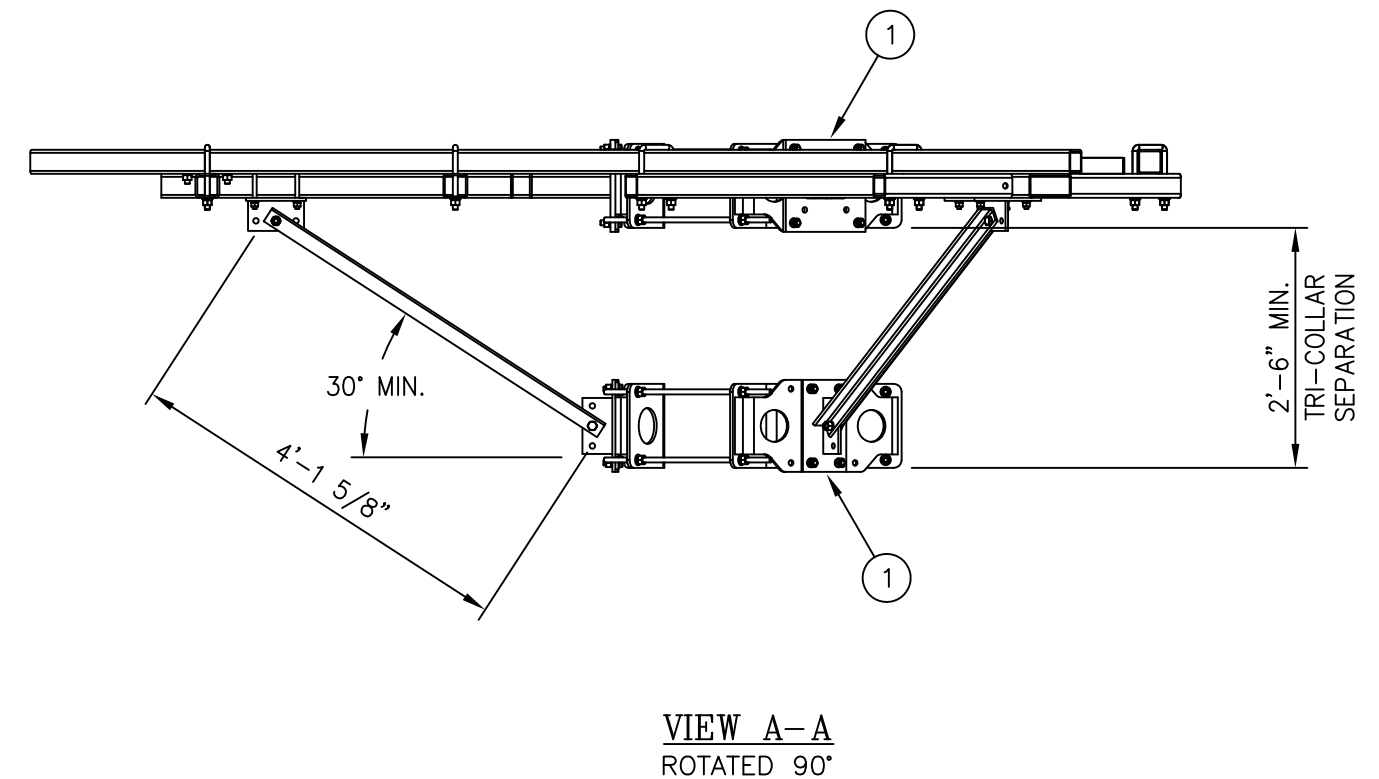
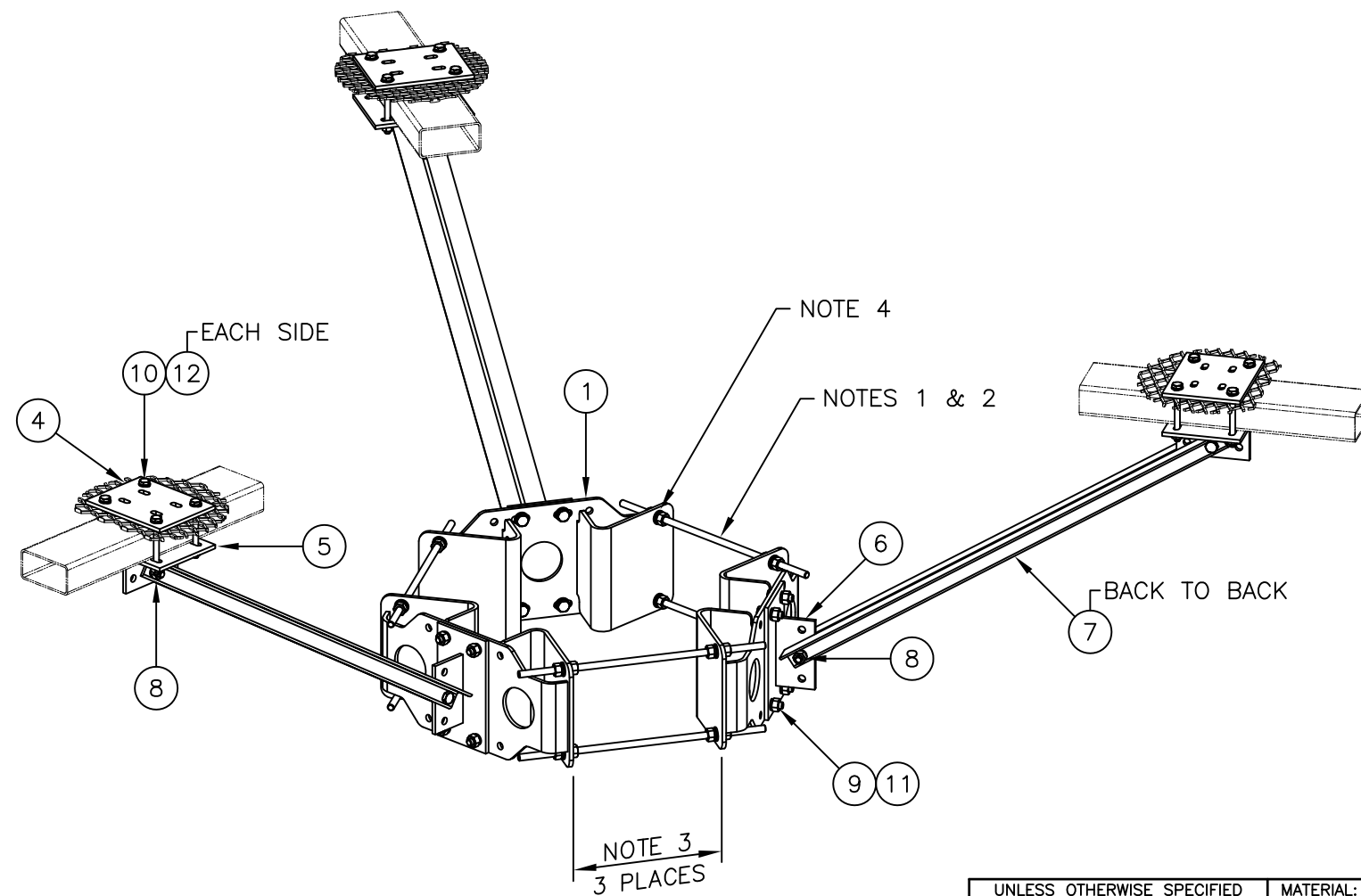
**CONFIDENTIAL**  
This document and the information  
contained herein is the confidential trade  
secret property of Sabre Communications  
Corporation ("Sabre") and must not be  
reproduced, copied or used, in whole or in  
part, for any purpose without the prior  
written consent of Sabre.  
© 2016 Sabre Communications Corporation.  
All rights reserved.

DATE	02/16/16	SIZE	B	DRAWING NO.	C10855445C	REV	1
DRAWN BY	WRF	SCALE	None	PAGE	2 OF 3		
CHECKED BY	KLE						



**TRI-COLLAR NOTES:**

1. THERE ARE (2) LENGTHS OF THREADED ROD SUPPLIED TO ACCOMMODATE DIAMETERS LISTED BELOW  
 USE 5/8 X 1'-6" THREADED ROD ASSEMBLY FOR 10"-24" MONOPOLE DIAMETERS  
 USE 5/8 X 2'-9" THREADED ROD ASSEMBLY FOR 24"-40" MONOPOLE DIAMETERS (SEE NOTE 2)
2. THREADED ROD MAY BE SHORTENED IF REQUIRED, FIELD CUT AND COLD GALV SPRAY TO SUIT.
3. THIS DISTANCE MUST BE EQUAL IN ALL (3) THREE LOCATIONS TO ENSURE THE STRUCTURAL INTEGRITY OF THE THREADED RODS AS WELL AS 120° SEPARATION.
4. FOR MONOPOLES 13" DIA. OR SMALLER, ONLY (1) ONE NUT AND (1) ONE LOCKWASHER ARE REQUIRED BETWEEN THE TRI-COLLAR BRACKETS.  
 FOR MONOPOLES LARGER THAN 13" DIA., (2) TWO NUTS AND (2) TWO LOCKWASHERS ARE REQUIRED BETWEEN THE TRI-COLLAR BRACKETS.



**TRI-COLLAR & PLATFORM REINFORCEMENT DETAIL**

UNLESS OTHERWISE SPECIFIED ALL DIMENSIONS INCLUDE FINISHES AND ARE IN INCHES		MATERIAL:  TOLERANCES DO NOT APPLY TO RAW MATERIAL				<b>12' HD PLATFORM WITH COLLARS FITS 10"Ø TO 40"Ø MONOPOLES</b>						
TOLERANCES: FRACTIONS ± 1/16" ANGLES ± 1/2 DEG. DECIMALS ± .010"				CONFIDENTIAL		This document and the information contained herein is the confidential trade secret property of Sabre Communications Corporation ("Sabre") and must not be reproduced, copied or used, in whole or in part, for any purpose without the prior written consent of Sabre. © 2016 Sabre Communications Corporation. All rights reserved.		DATE	02/16/16	SIZE	DRAWING NO.	REV
						DRAWN BY	WRF	B	C10855445C	1		
1	04/18/16	WRF	KLE	DESIGN UPDATE		CHECKED BY	KLE	SCALE	None	PAGE	3 OF 3	