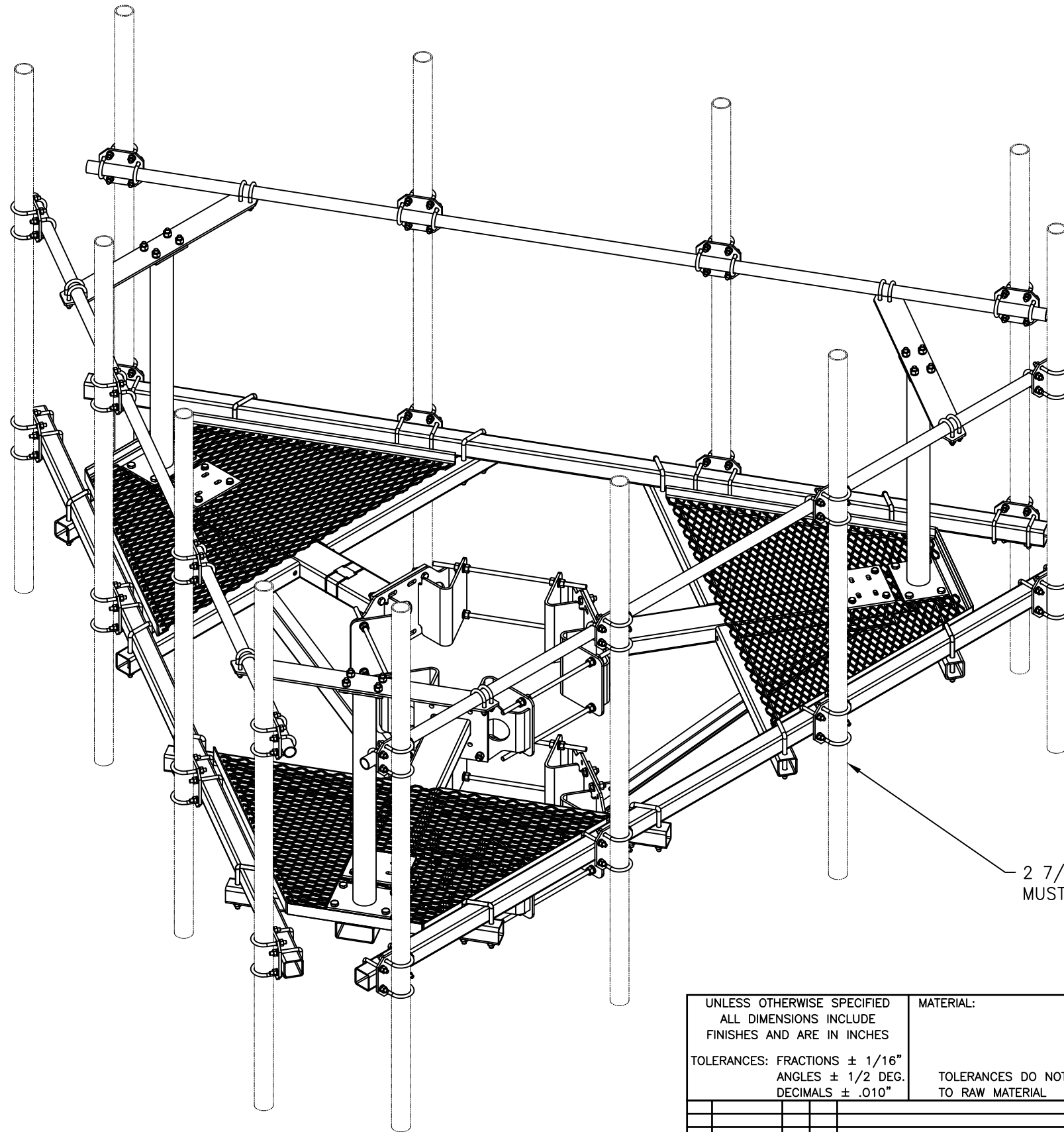




C10855667C 12' HD PLATFORM W/COLLARS, CROSSOVERS & ENHANCED SUPPORT RAIL

ITEM	QTY.	PART NO.	DESCRIPTION	WEIGHT
1.	2	C10112377	TRI-COLLAR BRACKET ASSEMBLY (10"-40" MONOPOLE)	416
2.	3	CW01320	WELDMENT, PLATFORM CORNER	612
3.	3	CS03348	SQUARE TUBE, 3 X 3 X 3/16 X 12'-6	268
4.	3	CS03354	PLATE, UPPER CONNECTION	22
5.	3	CW01322	WELDMENT, KICKER SUPPORT	31
6.	3	CW01291	WELDMENT, KICKER SUPPORT	32
7.	6	CS03372	ANGLE, KICKER	82
8.	3	CW01321	WELDMENT, POST 3 1/2" O.D. X 3'-4	107
9.	3	CS03349	PLATE, CONNECTION 3/8 X 4 3/8 X 3'-6 1/16	56
10.	3	CS02229	PIPE, 1.9 O.D. X .145 X 12'-6	106
11.	12	CS03351	CROSSOVER PLATE	58
12.	12	CS03336	CROSSOVER PLATE	48
13.	18	C40026024	BOLT ASSEMBLY, 5/8 ϕ X 2 1/4 A325	9
14.	36	C40026023	BOLT ASSEMBLY, 5/8 ϕ X 2 A325	17
15.	12	C40024106	BOLT ASSEMBLY, 1/2 ϕ X 6 1/2 GR5 FULL THD	5
16.	12	C40031003	FLATWASHER, 5/8 ϕ HARDENED ASTM F436	1
17.	24	C40031002	FLATWASHER, 1/2 ϕ HARDENED ASTM F436	1
18.	12	C40035017	SQ. U-BOLT ASSEMBLY, 5/8 ϕ X 4 1/4 C-C	25
19.	36	C40034060	U-BOLT ASSEMBLY, 1/2 ϕ X 2 9/16 C-C	26
20.	24	C40035106	SQ. U-BOLT ASSEMBLY, 1/2 ϕ X 3 5/8 C-C	23
21.	48	C40034140	U-BOLT ASSEMBLY, 1/2 ϕ X 3 7/16 C-C	43
22.	1	Z30992016	MOUNT CLASSIFICATION TAG C10855665C	1
23.	2	C40062104	STAINLESS STEEL SELF-LOCKING CABLE TIE	1

TOTAL WEIGHT 1990



2 7/8" ϕ MOUNTING PIPES
MUST BE PURCHASED SEPARATELY

ISOMETRIC VIEW
SEE PAGES 2 & 3 FOR ADDITIONAL DETAILS

UNLESS OTHERWISE SPECIFIED
ALL DIMENSIONS INCLUDE
FINISHES AND ARE IN INCHES
TOLERANCES: FRACTIONS $\pm 1/16"$
ANGLES $\pm 1/2$ DEG.
DECIMALS $\pm .010"$

MATERIAL:
TOLERANCES DO NOT APPLY
TO RAW MATERIAL



CONFIDENTIAL
This document and the information
contained herein is the confidential trade
secret property of Sabre Communications
Corporation ("Sabre") and must not be
reproduced, copied or used, in whole or in
part, for any purpose without the prior
written consent of Sabre.
© 2016 Sabre Communications Corporation.
All rights reserved.

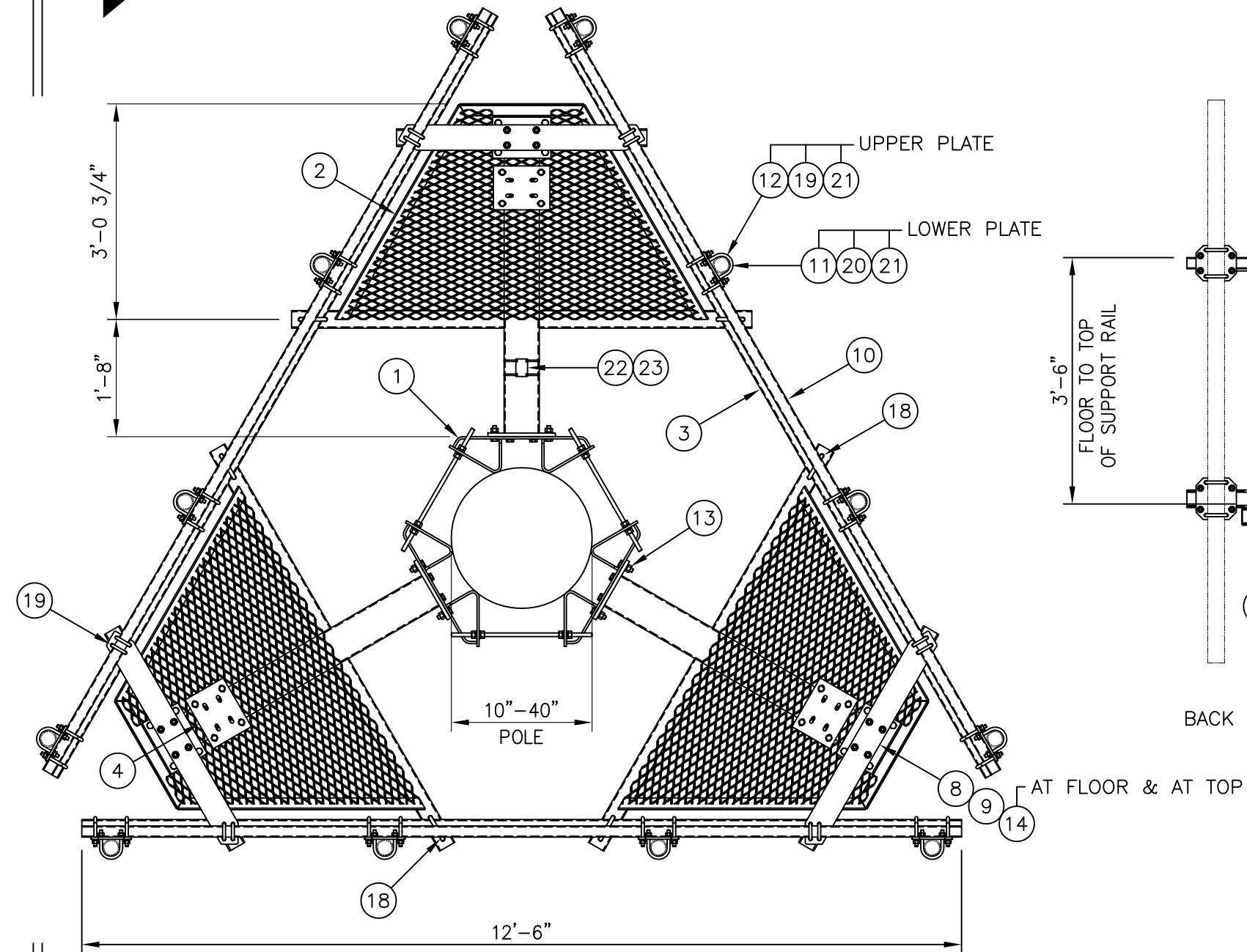
12' HD PLATFORM WITH COLLARS
& ENHANCED SUPPORT RAIL
1.9" ϕ - 2 7/8" ϕ CROSSOVERS
2 7/8" ϕ - 3" SQUARE CROSSOVERS
FITS 10" ϕ TO 40" ϕ MONOPOLES

REV	DATE	DRW	CHK	DESCRIPTION
1	04/18/16	WRF	KLE	DESIGN UPDATE

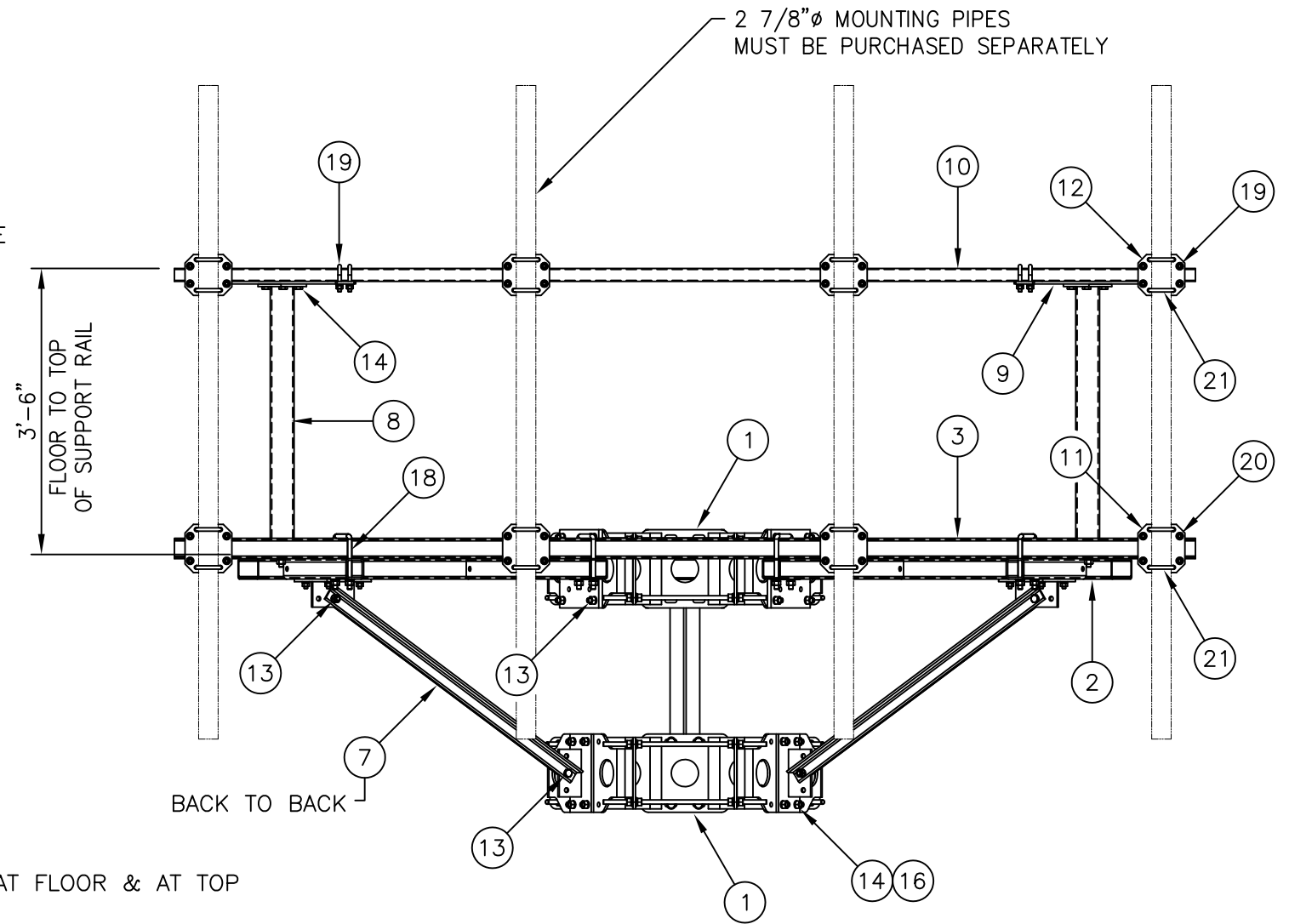
DATE	02/16/16	SIZE	DRAWING NO.	REV
DRAWN BY	WRF	B	C10855667C	1
CHECKED BY	KLE	SCALE	None	PAGE
				1 OF 3



A



PLAN VIEW



FRONT VIEW

A
PAGE 3

UNLESS OTHERWISE SPECIFIED
ALL DIMENSIONS INCLUDE
FINISHES AND ARE IN INCHES
TOLERANCES: FRACTIONS $\pm 1/16$ "
ANGLES $\pm 1/2$ DEG.
DECIMALS $\pm .010$ "

MATERIAL:
TOLERANCES DO NOT APPLY
TO RAW MATERIAL



CONFIDENTIAL
This document and the information
contained herein is the confidential trade
secret property of Sabre Communications
Corporation ("Sabre") and must not be
reproduced, copied or used, in whole or in
part, for any purpose without the prior
written consent of Sabre.
© 2016 Sabre Communications Corporation.
All rights reserved.

12' HD PLATFORM WITH COLLARS
& ENHANCED SUPPORT RAIL
1.9" ϕ - 2 7/8" ϕ CROSSOVERS
2 7/8" ϕ - 3" SQUARE CROSSOVERS
FITS 10" ϕ TO 40" ϕ MONOPOLES

REV	DATE	DRW	CHK	DESCRIPTION
1	04/18/16	WRF	KLE	DESIGN UPDATE

DATE	02/16/16	SIZE	B	DRAWING NO.	C10855667C	REV	1
DRAWN BY	WRF	CHECKED BY	KLE	SCALE	None	PAGE	2 OF 3

