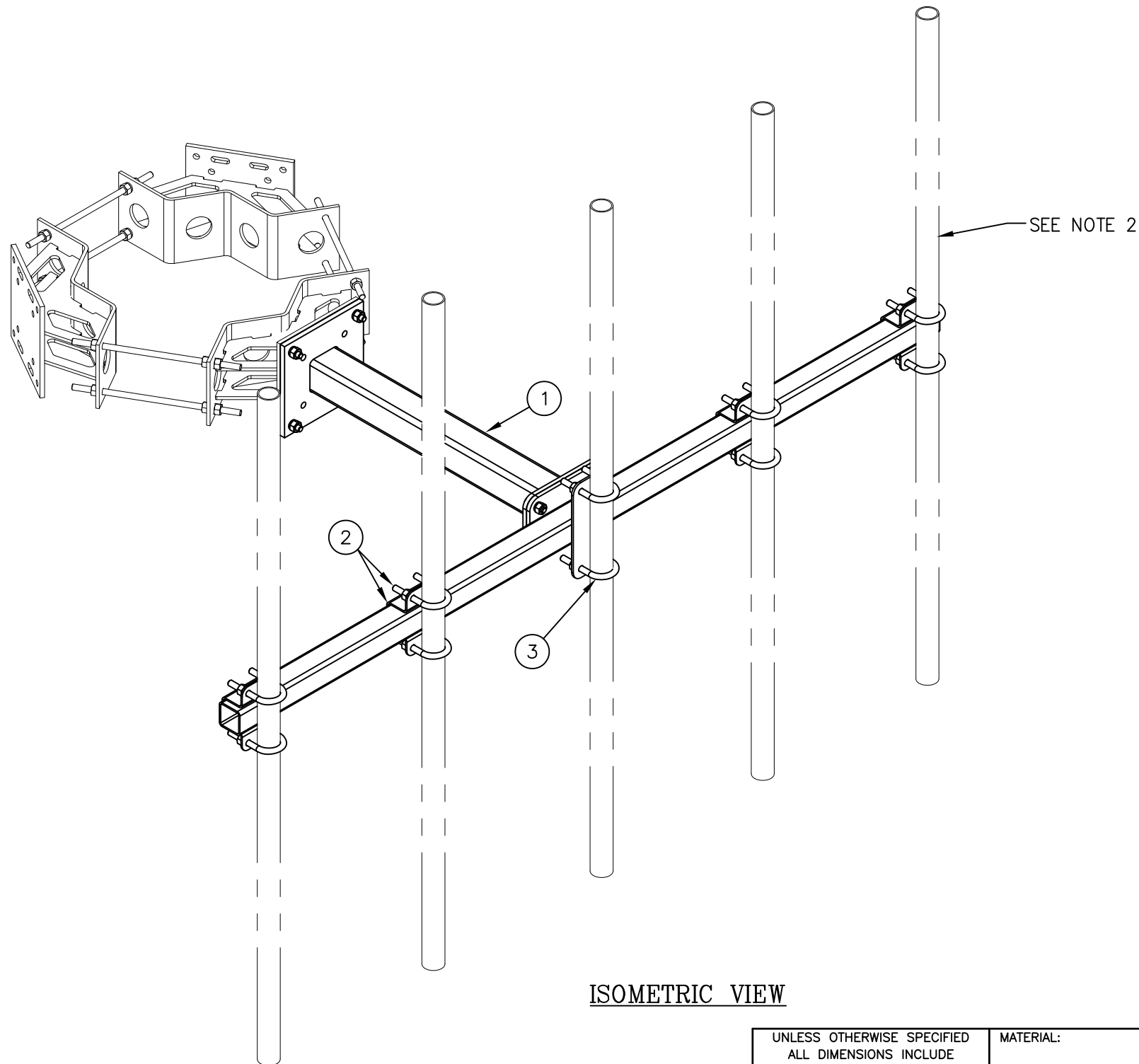


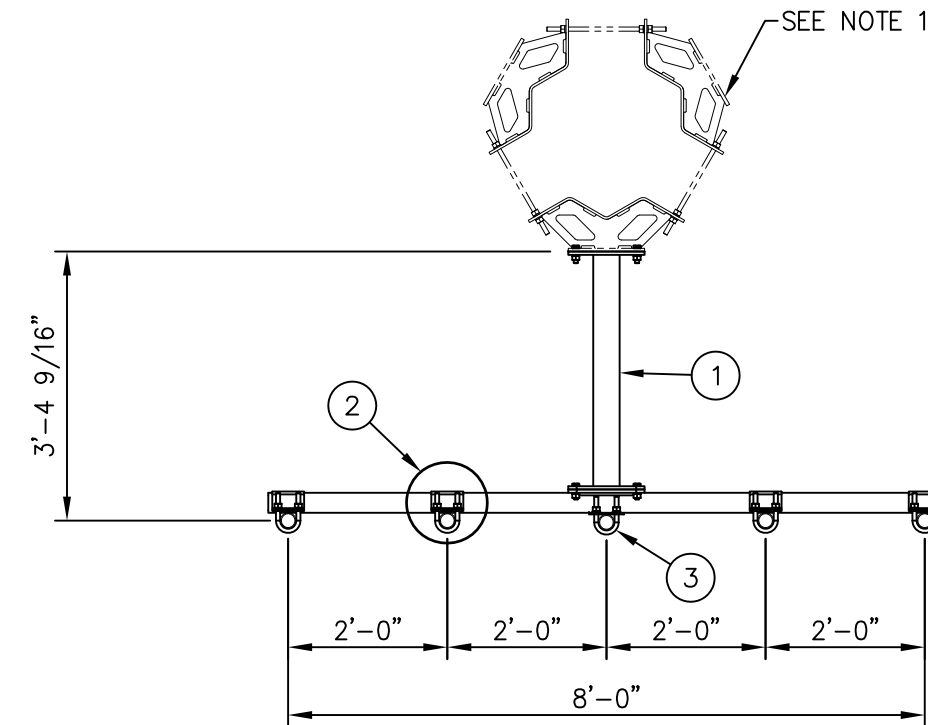


C10113453 T-ARM ASSEMBLY

ITEM	QTY.	PART NO.	DESCRIPTION	WEIGHT
1.	1	C10113403	KIT, 8'-6" T-ARM	138
2.	4	C40207001	KIT, PIPE MOUNT (CLAMP + 2 U-BOLTS)	23
3.	2	C40034023	U-BOLT ASSEMBLY, 5/8 ϕ X 3 1/16 C-C	3
TOTAL WEIGHT				164



ISOMETRIC VIEW



PLAN VIEW

NOTES:

1. TRI-COLLAR MOUNTS ARE SHOWN TYPICAL AND MUST BE PURCHASED SEPARATELY.
2. 2 3/8" O.D. MOUNTING PIPE MUST BE PURCHASED SEPARATELY.
3. QUANTITIES SHOWN IN LIST OF MATERIAL ARE FOR ONE (1) T-ARM ASSEMBLY ONLY.

UNLESS OTHERWISE SPECIFIED
ALL DIMENSIONS INCLUDE
FINISHES AND ARE IN INCHES
TOLERANCES: FRACTIONS $\pm 1/16"$
ANGLES $\pm 1/2$ DEG.
DECIMALS $\pm .010"$

MATERIAL:
TOLERANCES DO NOT APPLY
TO RAW MATERIAL



CONFIDENTIAL
This document and the information
contained herein is the confidential trade
secret property of Sabre Communications
Corporation ("Sabre") and must not be
reproduced, copied or used, in whole or in
part, for any purpose without the prior
written consent of Sabre.
© 2014 Sabre Communications Corporation.
All rights reserved.

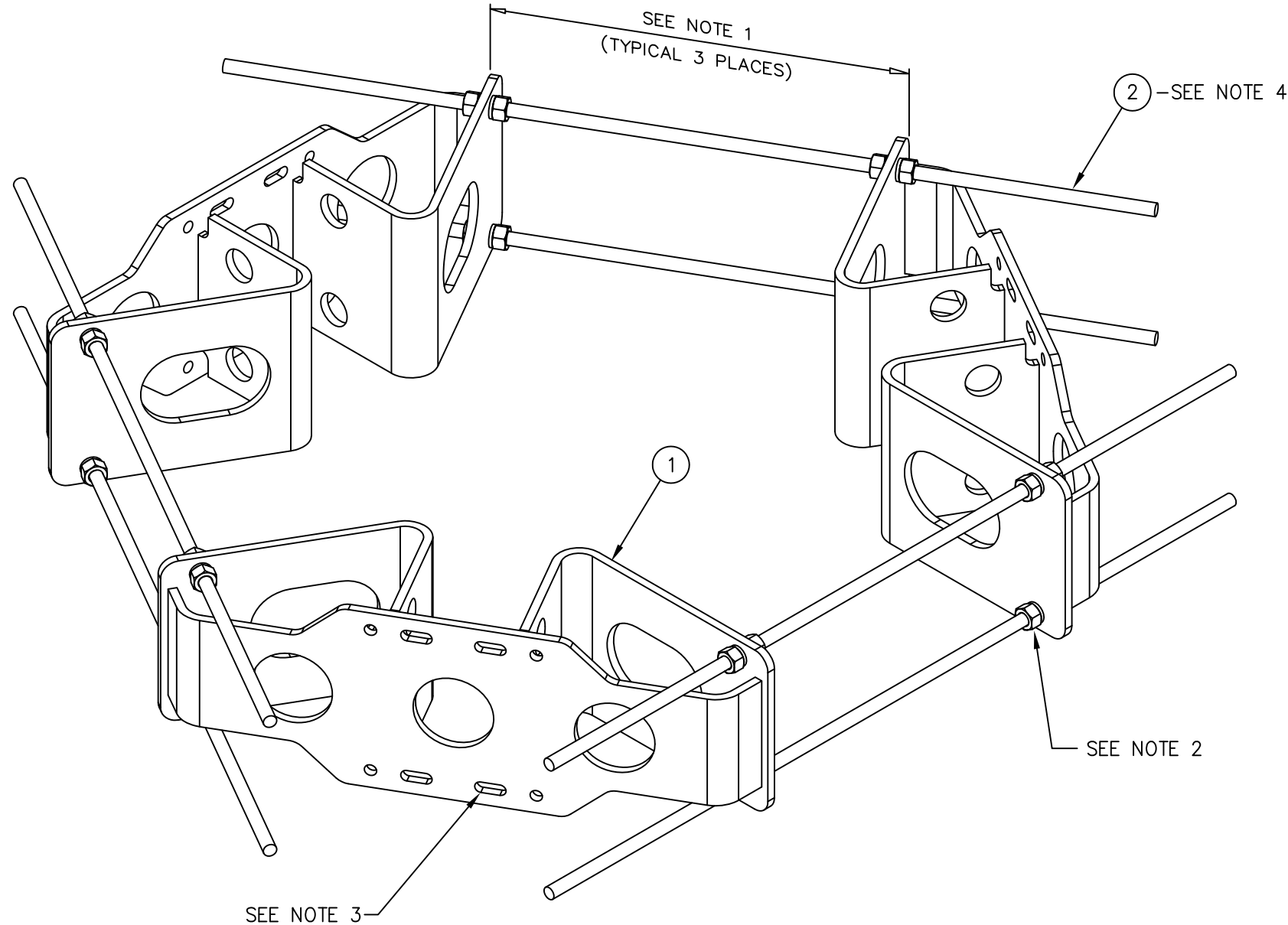
T-ARM ASSEMBLY
3'-0" ARM WITH 8'-6" FACE
W/ANTENNA MOUNTING PIPE HARDWARE
NO ANTENNA MOUNTING PIPES

REV	DATE	DRW/CHK	DESCRIPTION	DATE	DRAWN BY	CHECKED BY	SIZE	DRAWING NO.	REV	SCALE	PAGE
				6/4/09	MLC	MC	B	C10113453	0	None	1 OF 1



C10112301 TRI-COLLAR ASSEMBLY (12"-60" MONOPOLE)

ITEM	QTY.	PART. NO.	DESCRIPTION	WEIGHT
1.	3	CW00843	WELDMENT, TRI-COLLAR (12"-60" MONOPOLE)	294
2.	6	C40094010	THREADED ROD ASSEMBLY 3/4 X 4'-4"	36
TOTAL WEIGHT				330



ISOMETRIC VIEW

NOTES:

1. THIS DISTANCE MUST BE EQUAL IN ALL (3) THREE LOCATIONS TO ENSURE THE STRUCTURAL INTEGRITY OF THE THREADED RODS AS WELL AS 120° SEPARATION.
2. FOR MONOPOLES 13" DIA. OR SMALLER, ONLY (1) ONE NUT AND (1) ONE LOCKWASHER ARE REQUIRED BETWEEN THE TRI-COLLAR BRACKETS. FOR MONOPOLES LARGER THAN 13" DIA., (2) TWO NUTS AND (2) TWO LOCKWASHERS ARE REQUIRED BETWEEN THE TRI-COLLAR BRACKETS.
3. THE MOUNTING SLOTS NOTED WILL ACCOMMODATE 2 3/8"-4 1/2" O.D. MOUNTING PIPES.
4. THREADED ROD MAY BE SHORTENED IF REQUIRED, FIELD CUT AND COLD GALV SPRAY TO SUIT.

UNLESS OTHERWISE SPECIFIED
ALL DIMENSIONS INCLUDE
FINISHES AND ARE IN INCHES
TOLERANCES: FRACTIONS ± 1/16"
ANGLES ± 1/2 DEG.
DECIMALS ± .010"

MATERIAL:
TOLERANCES DO NOT APPLY
TO RAW MATERIAL



TRI-COLLAR BRACKET ASSEMBLY
FOR MONOPOLES (12"-60" DIA.)
(CIRCUMFERENCE 37.7" TO 188.5")

REV	DATE	DRW	CHK	DESCRIPTION
1	1/6/10	MLC	MC	REDRAWN IN AUTOCAD

CONFIDENTIAL
This document and the information contained herein is the confidential trade secret property of Sabre Communications Corporation ("Sabre") and must not be reproduced, copied or used, in whole or in part, for any purpose without the prior written consent of Sabre.
© 2014 Sabre Communications Corporation. All rights reserved.

DATE	8/21/09	SIZE B	DRAWING NO. C10112301	REV	1
DRAWN BY	JV			SCALE	PAGE
CHECKED BY	MLC	None	1 OF 1		