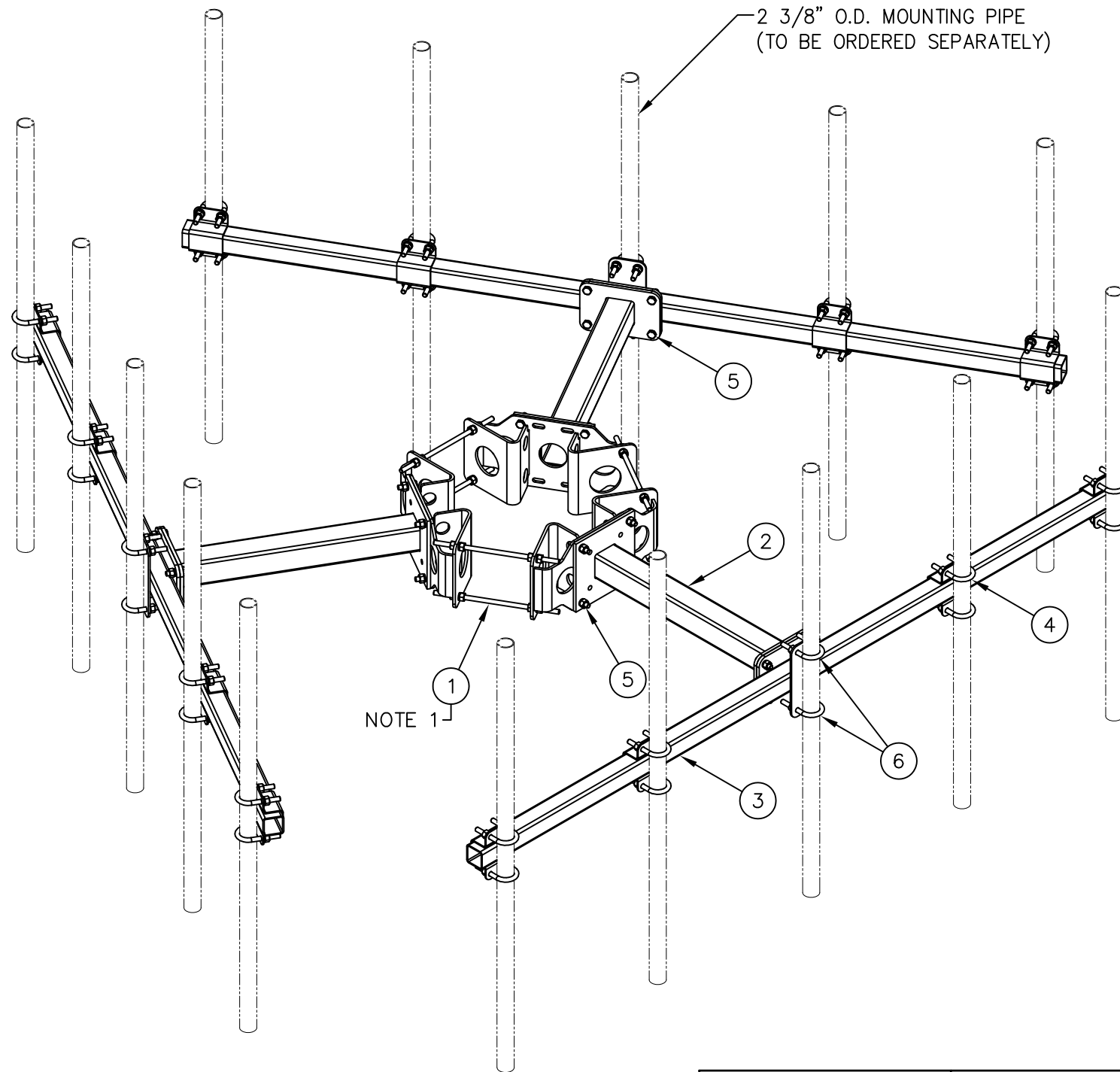


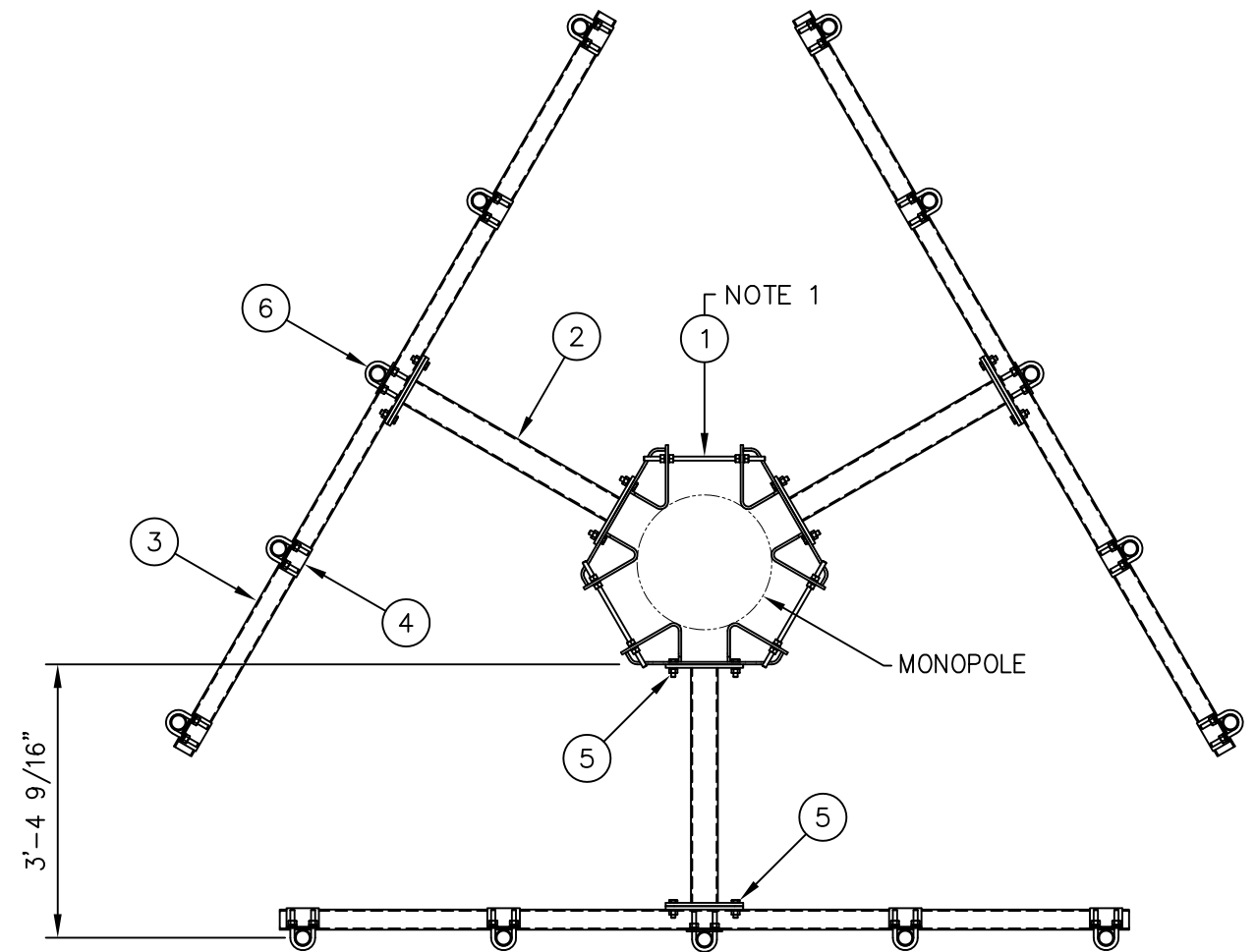


LIST OF MATERIAL

ITEM	QTY.	PART NO.	DESCRIPTION	WEIGHT
1.	1	C10112300	TRI-COLLAR BRACKET ASSEMBLY	193
2.	3	CW00667	WELDMENT, 3' T-ARM STANDOFF	168
3.	3	CW00668	WELDMENT, 10'-6 SQ. TUBE T-ARM	278
4.	12	C40207001	PIPE MOUNT ASSEMBLY FOR SQ. TUBE	69
5.	24	C40026024	BOLT ASSEMBLY, 5/8 ϕ X 2 1/4 A325	12
6.	6	C40034023	U-BOLT ASSEMBLY, 5/8 ϕ X 3 1/16 C-C	10
TOTAL WEIGHT				730



ISOMETRIC VIEW



PLAN VIEW

NOTES:

1. TRI-COLLAR BRACKET ASSEMBLY FITS POLES FROM 10" TO 40" DIAMETER.
2. THE 2 3/8" O.D. MOUNTING PIPES ARE TO BE ORDERED SEPARATELY BY LENGTH.

UNLESS OTHERWISE SPECIFIED ALL DIMENSIONS INCLUDE FINISHES AND ARE IN INCHES		MATERIAL:	
TOLERANCES: FRACTIONS $\pm 1/16"$ ANGLES $\pm 1/2$ DEG. DECIMALS $\pm .010"$		TOLERANCES DO NOT APPLY TO RAW MATERIAL	
REV	DATE	DRWCHK	DESCRIPTION

Sabre
Towers & Poles

CONFIDENTIAL
This document and the information contained herein is the confidential trade secret property of Sabre Communications Corporation ("Sabre") and must not be reproduced, copied or used, in whole or in part, for any purpose without the prior written consent of Sabre.
© 2010 Sabre Communications Corporation. All rights reserved.

SAF-T-ARM ASSEMBLY 3'-0 ARM WITH 10'-6 FACE (FOR 10"-40" DIA. MONOPOLES)			
DATE	11/08/10	SIZE	B
DRAWN BY	WRF	DRAWING NO.	C10856601
CHECKED BY	KLE	SCALE	None
		REV	0
		PAGE	1 OF 1