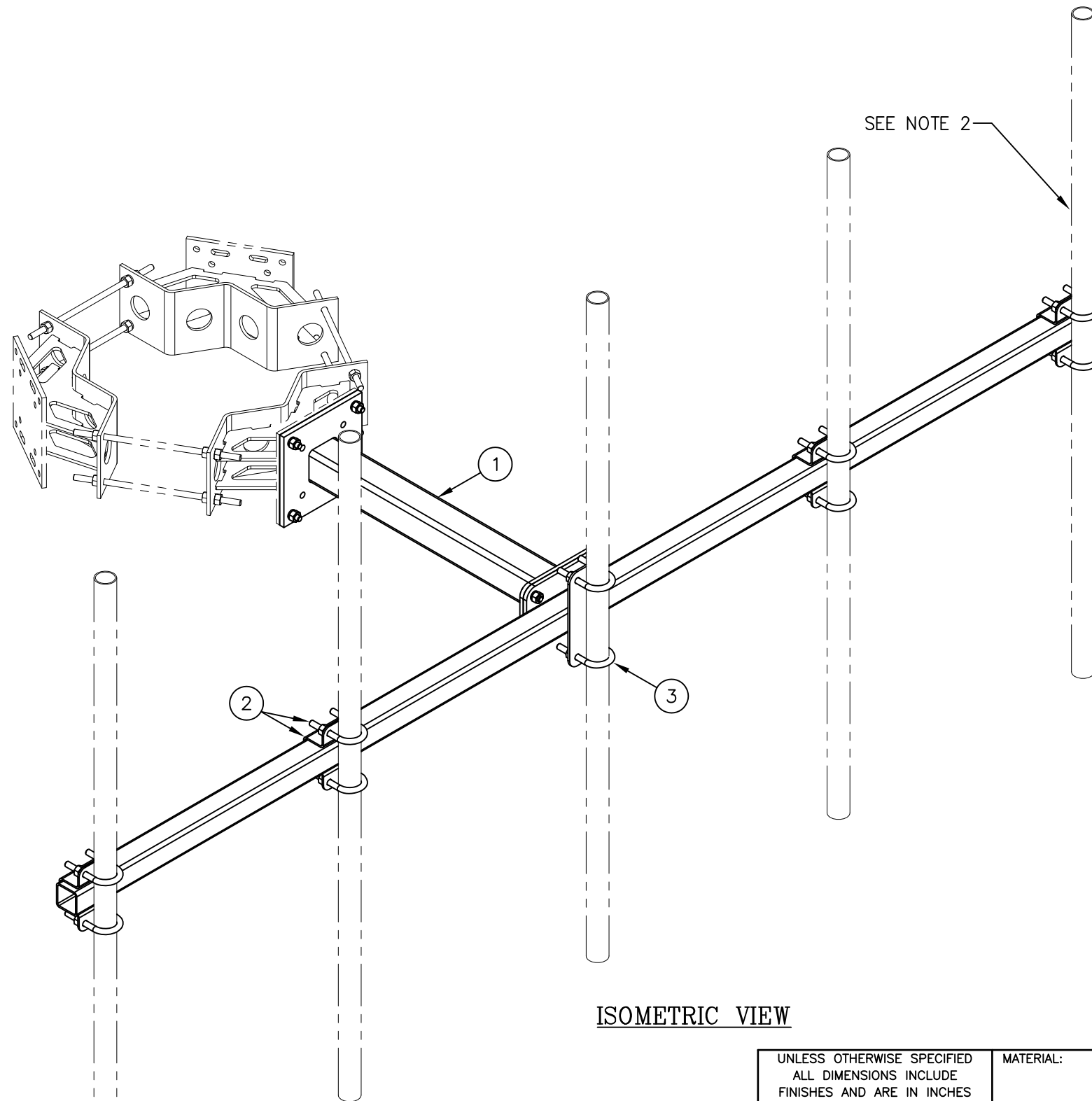


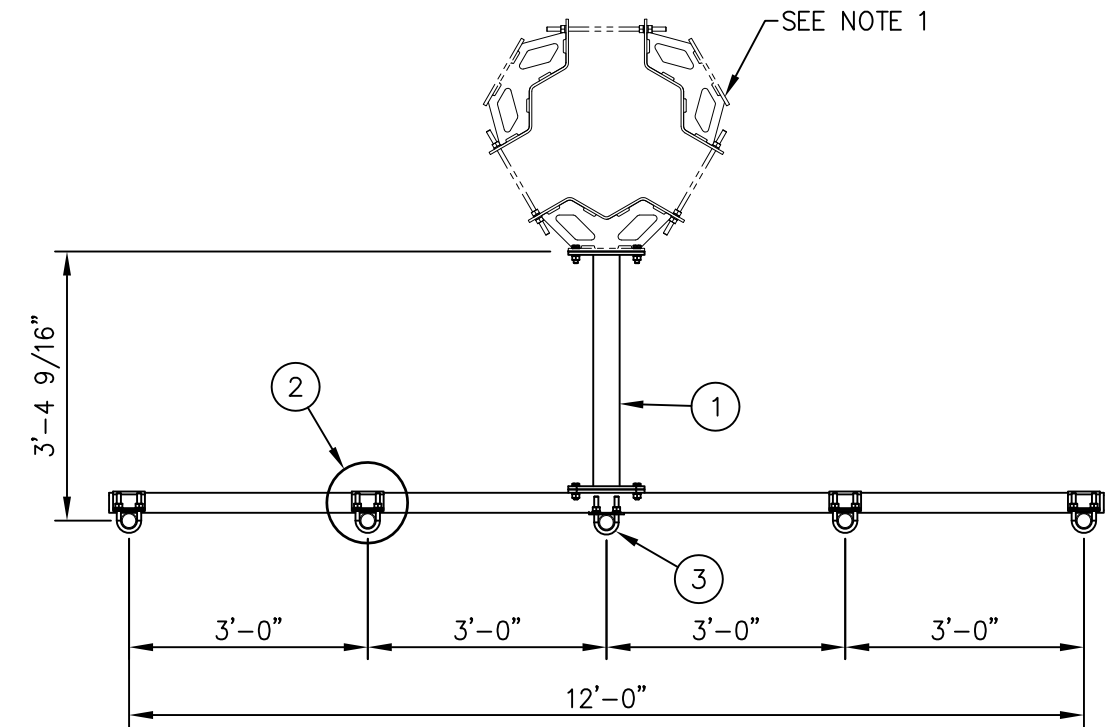


C10113555 T-ARM ASSEMBLY

ITEM	QTY.	PART NO.	DESCRIPTION	WEIGHT
1.	1	C10113284	KIT, 12'-6" T-ARM	164
2.	4	C40207001	KIT, PIPE MOUNT (CLAMP + 2 U-BOLTS)	23
3.	2	C40034023	U-BOLT ASSEMBLY, 5/8 ϕ X 3 1/16 C-C	3
TOTAL WEIGHT				190



ISOMETRIC VIEW



PLAN VIEW

NOTES:

1. TRI-COLLAR MOUNTS ARE SHOWN TYPICAL AND MUST BE PURCHASED SEPARATELY.
2. 2 3/8" O.D. MOUNTING PIPE MUST BE PURCHASED SEPARATELY.
3. QUANTITIES SHOWN IN LIST OF MATERIAL ARE FOR ONE (1) T-ARM ASSEMBLY ONLY.

UNLESS OTHERWISE SPECIFIED
ALL DIMENSIONS INCLUDE
FINISHES AND ARE IN INCHES

TOLERANCES: FRACTIONS $\pm 1/16"$
ANGLES $\pm 1/2$ DEG.
DECIMALS $\pm .010"$

MATERIAL:

TOLERANCES DO NOT APPLY
TO RAW MATERIAL



CONFIDENTIAL

This document and the information contained herein is the confidential trade secret property of Sabre Communications Corporation ("Sabre") and must not be reproduced, copied or used, in whole or in part, for any purpose without the prior written consent of Sabre.

© 2014 Sabre Communications Corporation. All rights reserved.

T-ARM ASSEMBLY
3'-0" ARM WITH 12'-6" FACE
W/ANTENNA MOUNTING PIPE HARDWARE
NO ANTENNA MOUNTING PIPES

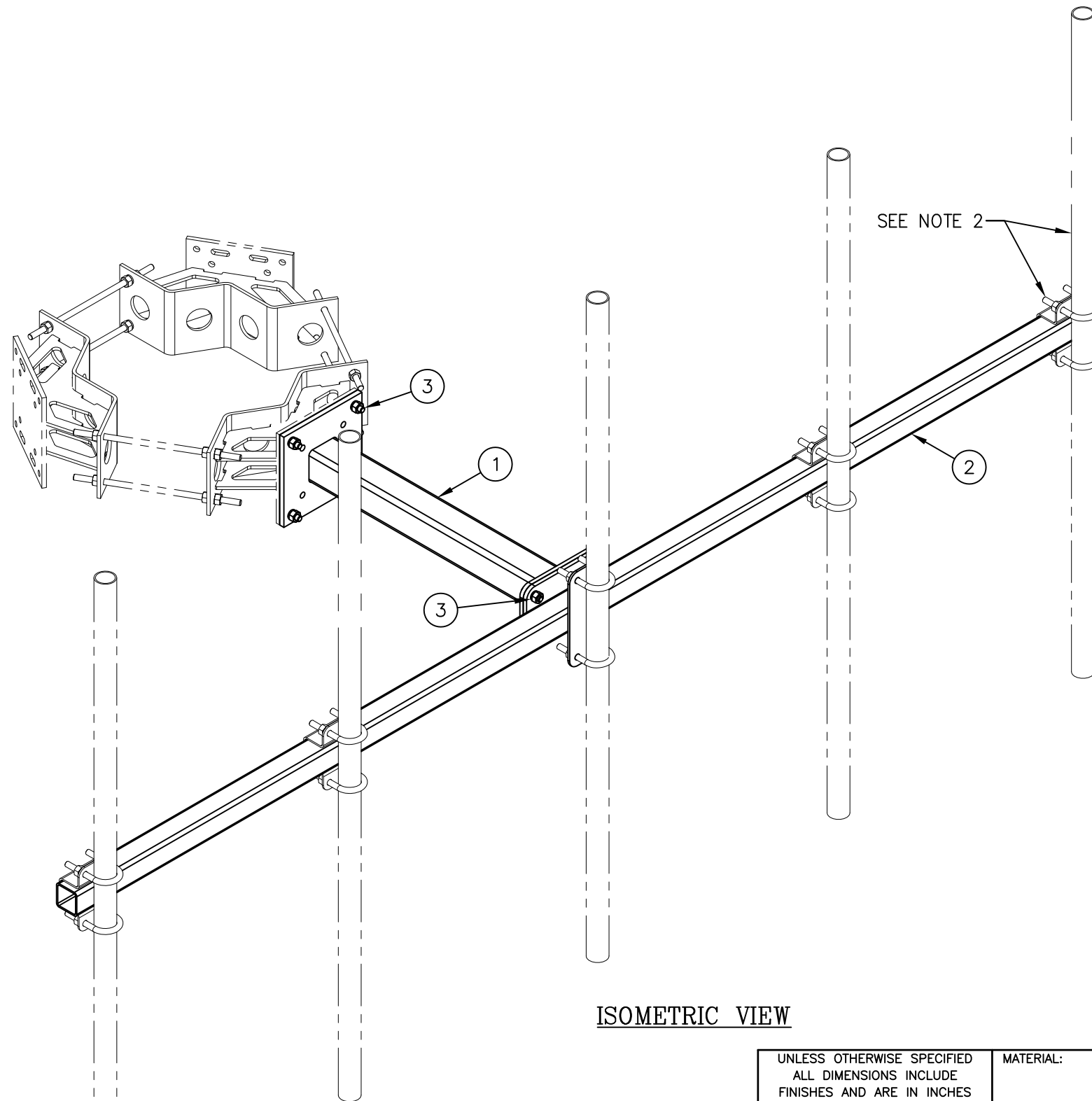
REV	DATE	DRW/CHK	DESCRIPTION

DATE	1/28/09	SIZE	B	DRAWING NO.	C10113555	REV	0
DRAWN BY	MLC	SCALE	None	PAGE	1	OF	1
CHECKED BY	MC						

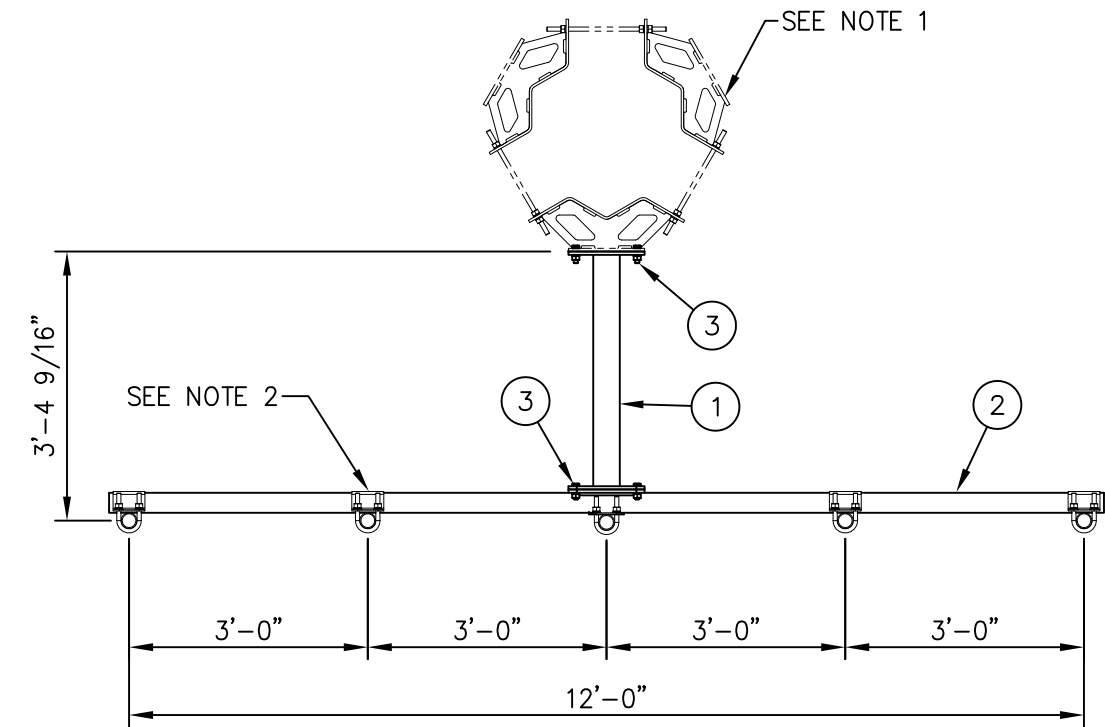


C10113284 T-ARM ASSEMBLY

ITEM	QTY.	PART NO.	DESCRIPTION	WEIGHT
1.	1	CW00667	WELDMENT, 3' T-ARM STANDOFF	56
2.	1	CW00670	WELDMENT, 12'-6" T-ARM FACE	104
3.	8	C40026024	BOLT ASSEMBLY 5/8 Ø X 2 1/4 A325	4
TOTAL WEIGHT				164



ISOMETRIC VIEW



PLAN VIEW

NOTES:

1. TRI-COLLAR MOUNTS ARE SHOWN TYPICAL AND MUST BE PURCHASED SEPARATELY.
2. 2 3/8" O.D. MOUNTING PIPE AND CLAMPS MUST BE PURCHASED SEPARATELY.
3. QUANTITIES SHOWN IN LIST OF MATERIAL ARE FOR ONE (1) T-ARM ASSEMBLY ONLY.

UNLESS OTHERWISE SPECIFIED ALL DIMENSIONS INCLUDE FINISHES AND ARE IN INCHES		MATERIAL:	
TOLERANCES: FRACTIONS ± 1/16" ANGLES ± 1/2 DEG. DECIMALS ± .010"		TOLERANCES DO NOT APPLY TO RAW MATERIAL	
3	1/28/09	MLC MC	REDRAWN IN AUTOCAD & REVISED BOLT ASSEMBLY
2	7/25/08	JV JV	CHANGED ITEM 1 (CW00670)
1	6/6/08	JV JV	CHANGED ITEM 1 (CW00670)
REV	DATE	DRW/CHK	DESCRIPTION



CONFIDENTIAL
This document and the information contained herein is the confidential trade secret property of Sabre Communications Corporation ("Sabre") and must not be reproduced, copied or used, in whole or in part, for any purpose without the prior written consent of Sabre.
© 2009 Sabre Communications Corporation. All rights reserved.

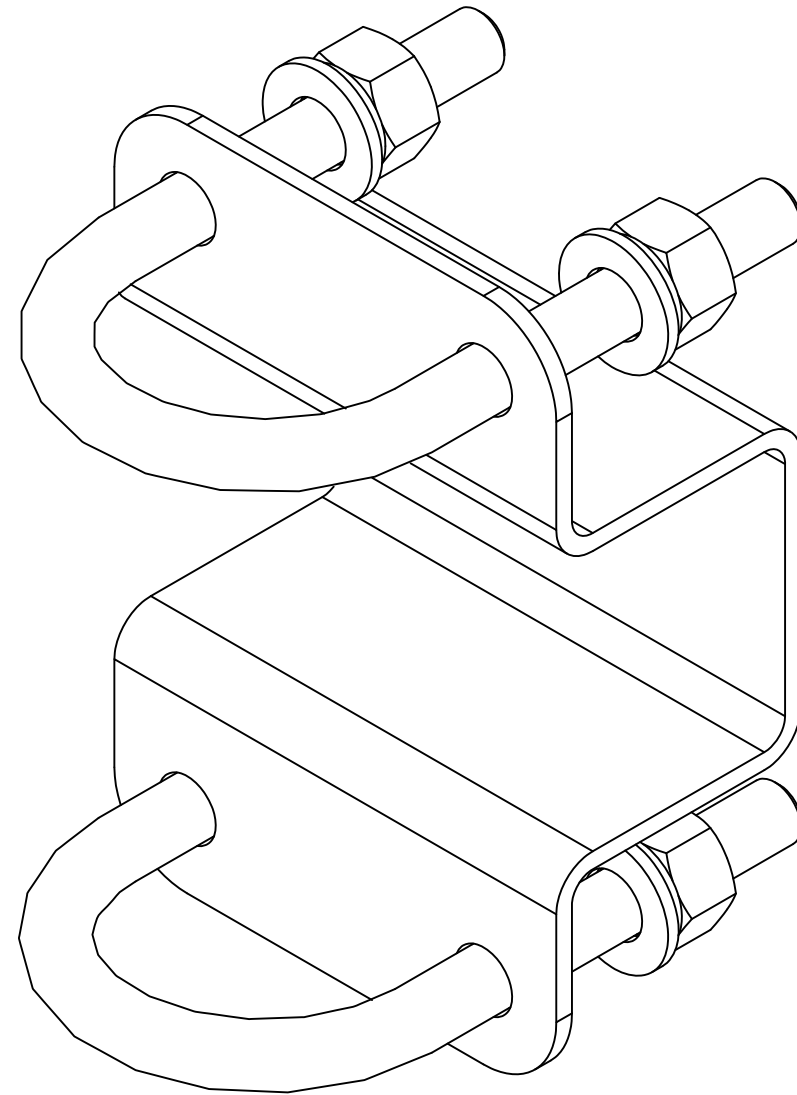
T-ARM ASSEMBLY
3'-0" ARM WITH 12'-6" FACE
NO ANTENNA MOUNTING PIPES

DATE	5/27/08	SIZE	B	DRAWING NO.	C10113284	REV	3
DRAWN BY	JV			SCALE	None	PAGE	1 OF 1
CHECKED BY	-						



C40207001 SQUARE TUBE PIPE MOUNT KIT

ITEM	QTY.	PART NO.	DESCRIPTION	WEIGHT LBS
1	1	CS01793	PIPE MOUNT, SQUARE TUBE	3
2	2	C40034023	U-BOLT ASSEMBLY 5/8 Ø X 3 1/16 C-C	3
TOTAL WEIGHT LBS				6



UNLESS OTHERWISE SPECIFIED
ALL DIMENSIONS INCLUDE
FINISHES AND ARE IN INCHES

TOLERANCES: FRACTIONS ± 1/16"
ANGLES ± 1/2 DEG.
DECIMALS ± .010"

MATERIAL:

TOLERANCES DO NOT APPLY
TO RAW MATERIAL



PIPE MOUNT KIT
3 X 3 SQ. TUBE TO 2 3/8 Ø PIPE

REV	DATE	DRW	CHK	DESCRIPTION
1	08/31/13	DPJ	JPD	REDRAWN IN AUTOCAD.

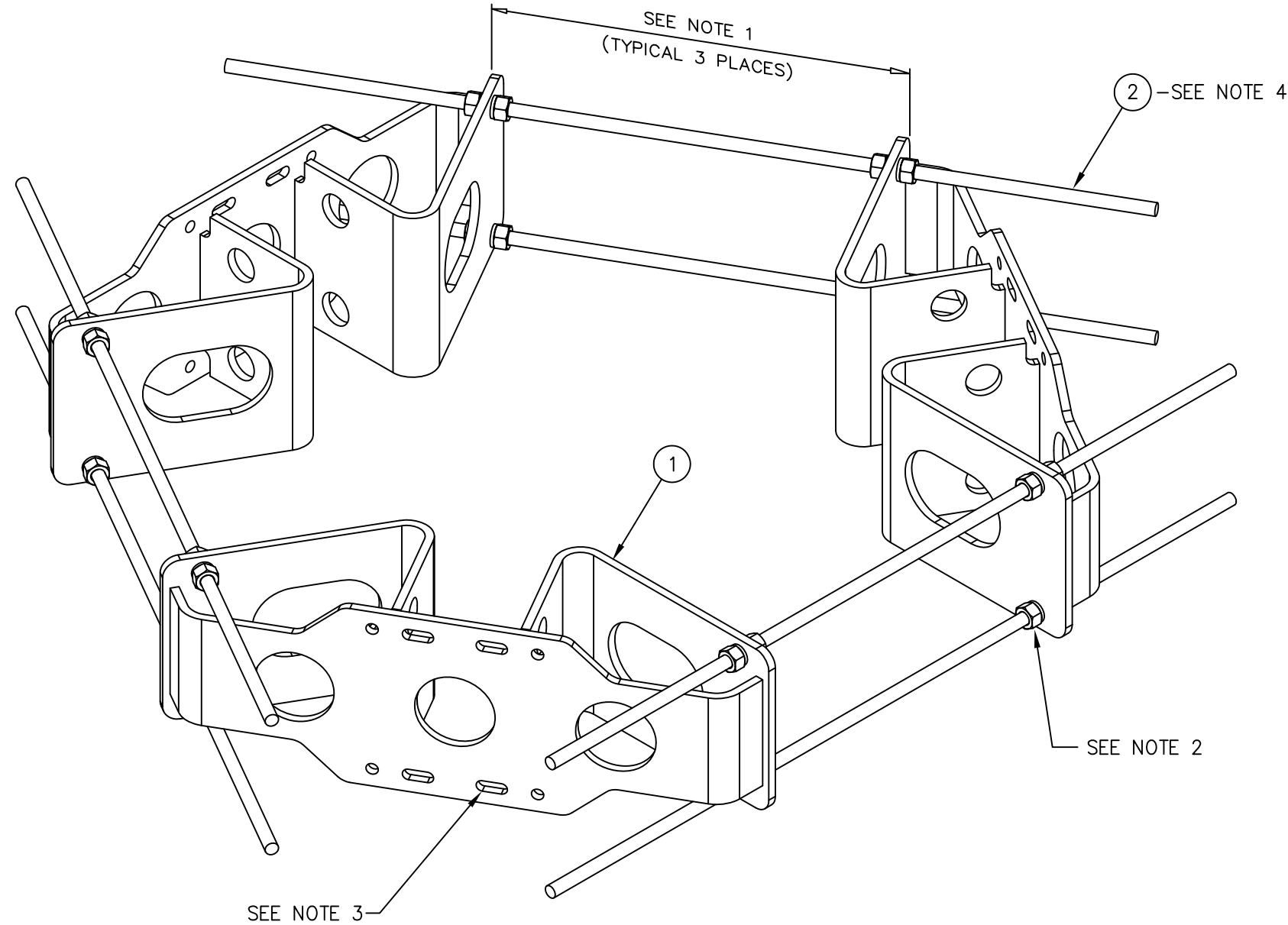
CONFIDENTIAL
This document and the information
contained herein is the confidential trade
secret property of Sabre Communications
Corporation ("Sabre") and must not be
reproduced, copied or used, in whole or in
part, for any purpose without the prior
written consent of Sabre.
© 2013 Sabre Communications Corporation.
All rights reserved.

DATE	07/11/08	SIZE	B	DRAWING NO.	C40207001	REV	1
DRAWN BY	JV	SCALE	None	PAGE	1 OF 1	CHECKED BY	



C10112301 TRI-COLLAR ASSEMBLY (12"-60" MONOPOLE)

ITEM	QTY.	PART. NO.	DESCRIPTION	WEIGHT
1.	3	CW00843	WELDMENT, TRI-COLLAR (12"-60" MONOPOLE)	294
2.	6	C40094010	THREADED ROD ASSEMBLY 3/4 X 4'-4"	36
TOTAL WEIGHT				330



ISOMETRIC VIEW

NOTES:

1. THIS DISTANCE MUST BE EQUAL IN ALL (3) THREE LOCATIONS TO ENSURE THE STRUCTURAL INTEGRITY OF THE THREADED RODS AS WELL AS 120° SEPARATION.
2. FOR MONOPOLES 13" DIA. OR SMALLER, ONLY (1) ONE NUT AND (1) ONE LOCKWASHER ARE REQUIRED BETWEEN THE TRI-COLLAR BRACKETS. FOR MONOPOLES LARGER THAN 13" DIA., (2) TWO NUTS AND (2) TWO LOCKWASHERS ARE REQUIRED BETWEEN THE TRI-COLLAR BRACKETS.
3. THE MOUNTING SLOTS NOTED WILL ACCOMMODATE 2 3/8"-4 1/2" O.D. MOUNTING PIPES.
4. THREADED ROD MAY BE SHORTENED IF REQUIRED, FIELD CUT AND COLD GALV SPRAY TO SUIT.

UNLESS OTHERWISE SPECIFIED
ALL DIMENSIONS INCLUDE
FINISHES AND ARE IN INCHES
TOLERANCES: FRACTIONS ± 1/16"
ANGLES ± 1/2 DEG.
DECIMALS ± .010"

MATERIAL:

TOLERANCES DO NOT APPLY
TO RAW MATERIAL



TRI-COLLAR BRACKET ASSEMBLY
FOR MONOPOLES (12"-60" DIA.)
(CIRCUMFERENCE 37.7" TO 188.5")

REV	DATE	DRW	CHK	DESCRIPTION
1	1/6/10	MLC	MC	REDRAWN IN AUTOCAD

CONFIDENTIAL
This document and the information contained herein is the confidential trade secret property of Sabre Communications Corporation ("Sabre") and must not be reproduced, copied or used, in whole or in part, for any purpose without the prior written consent of Sabre.
© 2014 Sabre Communications Corporation. All rights reserved.

DATE	8/21/09	SIZE B	DRAWING NO. C10112301	REV	1
DRAWN BY	JV			SCALE	PAGE
CHECKED BY	MLC	None	1 OF 1		