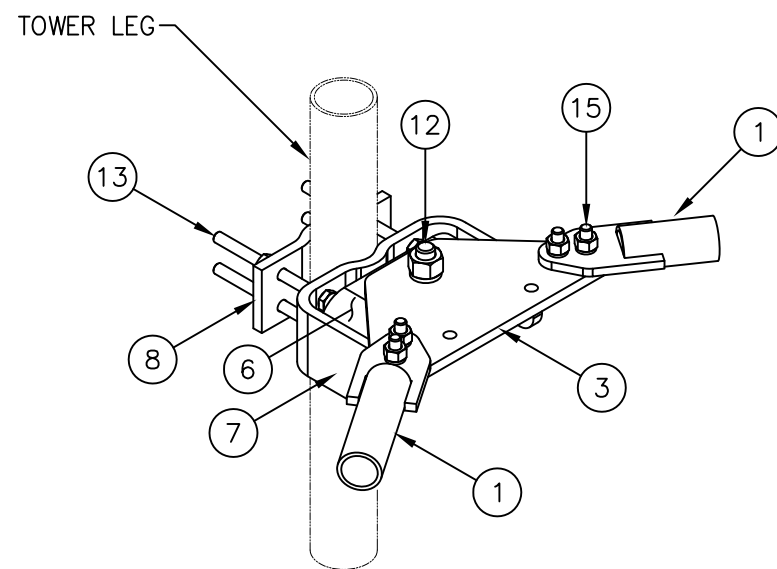
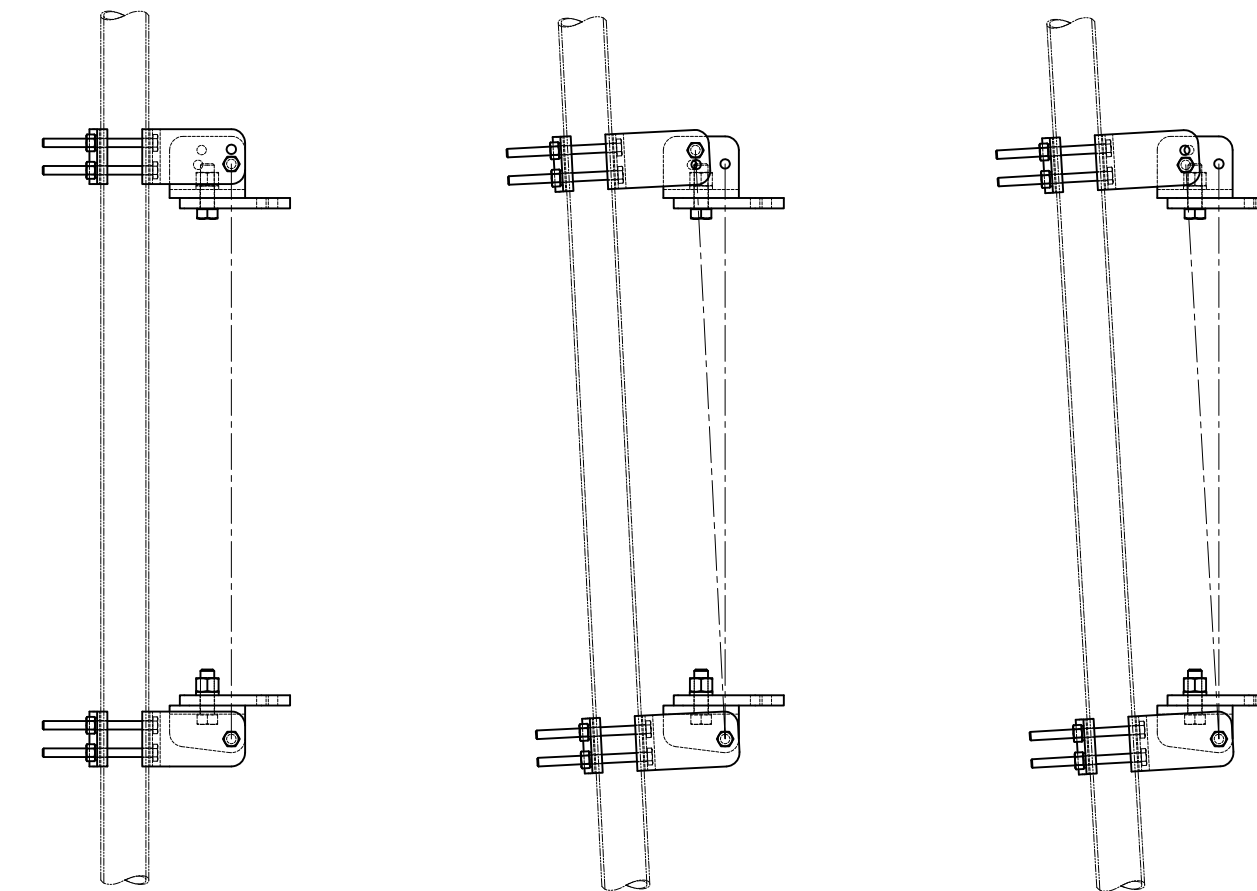


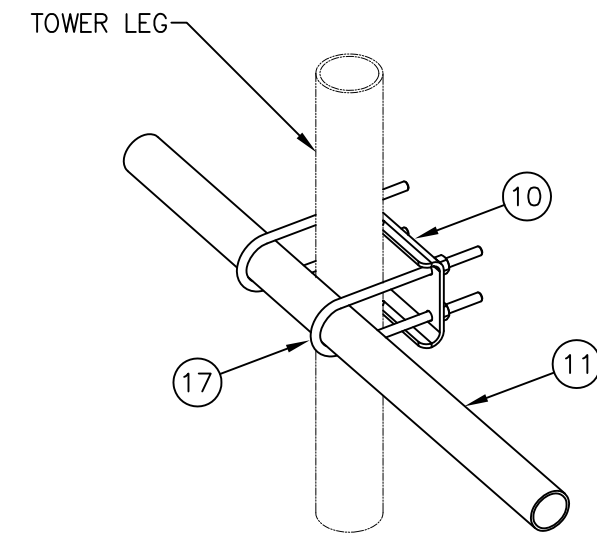
UPPER LEG MOUNTING DETAIL



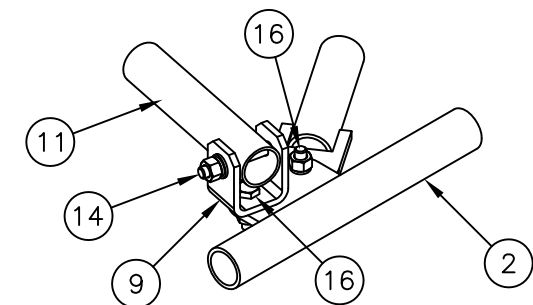
LOWER LEG MOUNTING DETAIL



-----PIVOTING OPTIONS-----



**TIE BACK DETAIL
AT TOWER LEG**



**TIE BACK DETAIL
AT ANTENNA MOUNTING FRAME**

UNLESS OTHERWISE SPECIFIED
ALL DIMENSIONS INCLUDE
FINISHES AND ARE IN INCHES
TOLERANCES: FRACTIONS $\pm 1/16"$
ANGLES $\pm 1/2$ DEG.
DECIMALS $\pm .010"$

MATERIAL:
TOLERANCES DO NOT APPLY
TO RAW MATERIAL



12' EHD V-BOOM ASSEMBLY W/TIEBACKS
(3' STANDOFF)
W/NO ANTENNA MOUNTING PIPES

REV	DATE	DRW	CHK	DESCRIPTION
1	10/19/16	KLE	DEL	ADDED INSTALLATION NOTES

CONFIDENTIAL
This document and the information
contained herein is the confidential trade
secret property of Sabre Communications
Corporation ("Sabre") and must not be
reproduced, copied or used, in whole or in
part, for any purpose without the prior
written consent of Sabre.
© 2016 Sabre Communications Corporation.
All rights reserved.

DATE	02/29/16	SIZE	B	DRAWING NO.	C10857007C	REV	1
DRAWN BY	WRF	CHECKED BY	KLE	SCALE	None	PAGE	3 OF 3