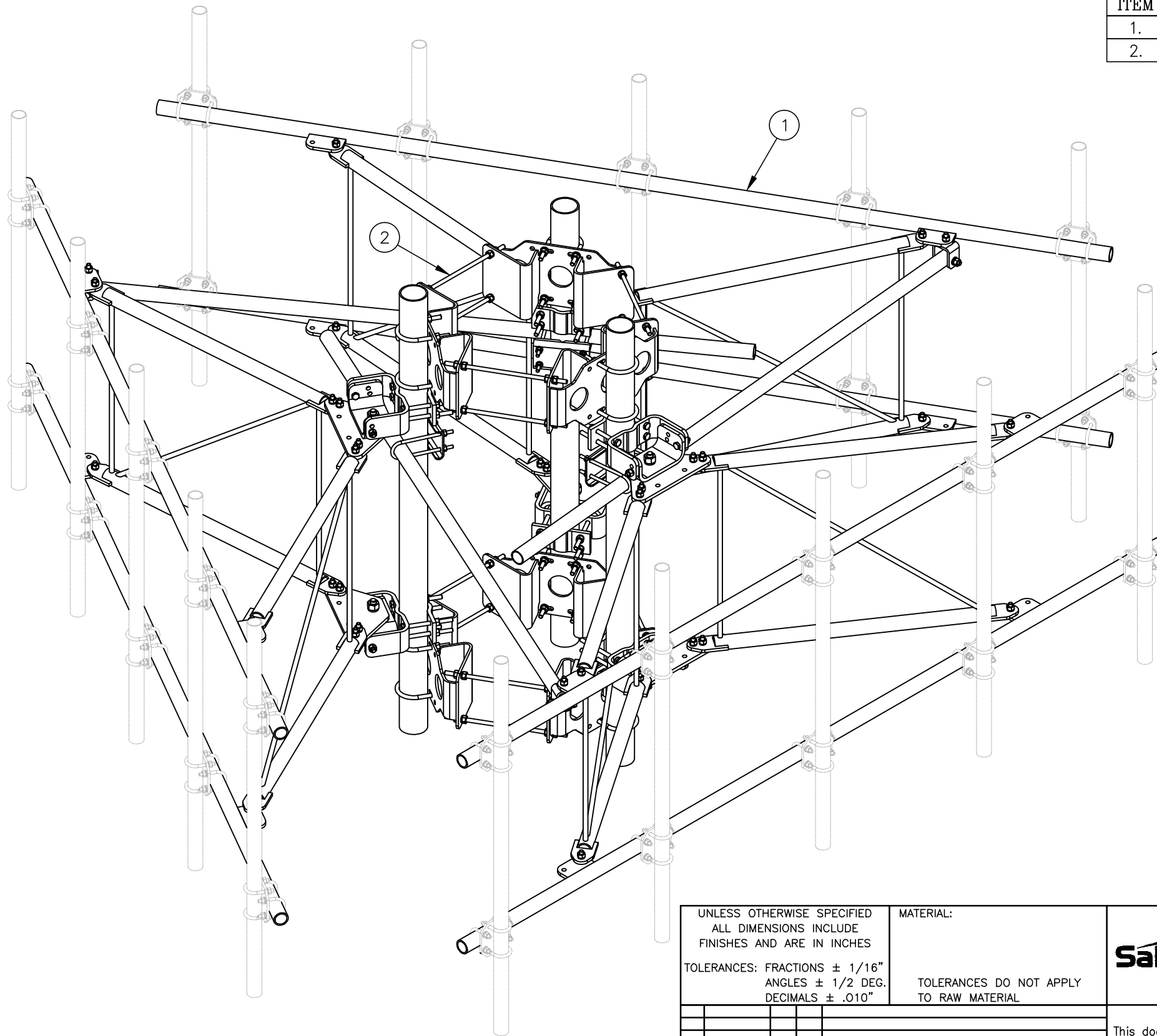


C10857801 12' HD V-BOOM ASSEMBLIES W/TIEBACK

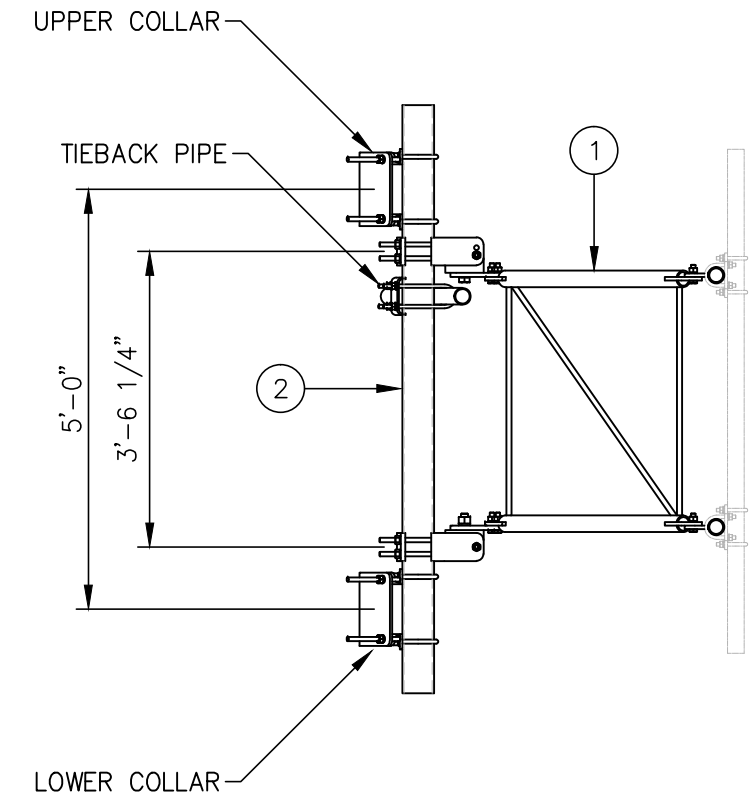
ITEM	QTY.	PART NO.	DESCRIPTION	WEIGHT
1.	3	C10857001C	12' HD V-BOOM ASSEMBLY W/TIE BACK	1386
2.	1	C10899050	4 1/2" O.D. MONOPOLE PIPE MOUNT ASSEMBLY	678
TOTAL WEIGHT				2064



ISOMETRIC VIEW

NOTES:

1. MOUNTING PIPES & CROSSOVER PLATE KITS MUST BE PURCHASED SEPARATELY.
2. SEE DRAWING C10857001C FOR 12' V-BOOM ASSEMBLY.
3. SEE DRAWING C10899050 FOR 4 1/2" O.D. MONOPOLE PIPE MOUNT ASSEMBLY.



VIEW A-A
FROM PAGE 2

UNLESS OTHERWISE SPECIFIED
ALL DIMENSIONS INCLUDE
FINISHES AND ARE IN INCHES

TOLERANCES: FRACTIONS ± 1/16"
ANGLES ± 1/2 DEG.
DECIMALS ± .010"

MATERIAL:

TOLERANCES DO NOT APPLY
TO RAW MATERIAL



CONFIDENTIAL
This document and the information contained herein is the confidential trade secret property of Sabre Communications Corporation ("Sabre") and must not be reproduced, copied or used, in whole or in part, for any purpose without the prior written consent of Sabre.
© 2018 Sabre Communications Corporation. All rights reserved.

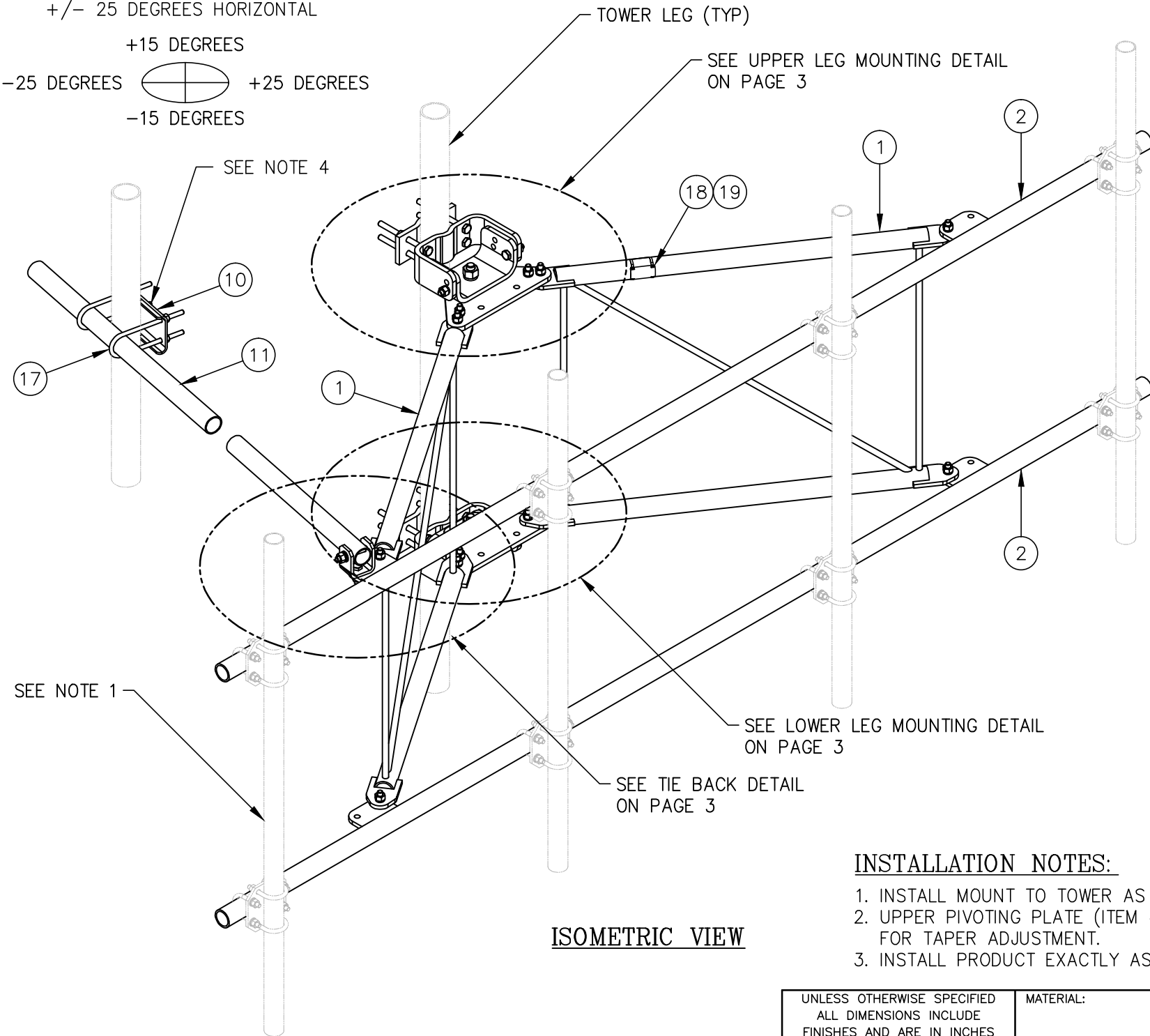
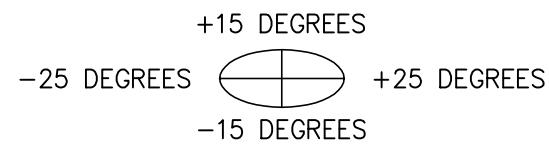
12' HD V-BOOM ASSEMBLY W/TIEBACK
(3' STANDOFF)
ON MONOPOLE PIPE MOUNT ASSEMBLY
W/NO ANTENNA MOUNTING PIPES

REV	DATE	DRW	CHK	DESCRIPTION

DATE	09/24/18	SIZE	B	DRAWING NO.	C10857801	REV	0
DRAWN BY	WRF	SCALE		PAGE		None	
CHECKED BY	WMN	None		1 OF 2			

TIEBACK ANGLE RANGE DETAIL

+/- 15 DEGREES VERTICAL
 +/- 25 DEGREES HORIZONTAL



ISOMETRIC VIEW

NOTES:

1. MOUNTING PIPES & CROSSOVER PLATE KITS MUST BE PURCHASED SEPARATELY.
2. QUANTITIES SHOWN IN LISTS OF MATERIAL ARE FOR ONE (1) V-BOOM ONLY.
3. THIS V-BOOM WILL MOUNT TO THE FOLLOWING: 1 1/2"φ TO 5 9/16"φ ROUND LEG.
4. TIEBACK MUST BE CONNECTED TO A RIGID MEMBER THAT PROVIDES ADEQUATE SUPPORT WITHIN THE LIMITS NOTED ABOVE IN THE TIEBACK ANGLE RANGE DETAIL UNLESS APPROVED BY THE ENGINEER OF RECORD.

INSTALLATION NOTES:

1. INSTALL MOUNT TO TOWER AS SHOWN, SO THAT WELDED STANDOFF DIAGONAL IS SLOPING DOWNWARD FROM TOWER END TO FACE PIPE END.
2. UPPER PIVOTING PLATE (ITEM 4) HAS THREE HOLES ON EACH SIDE AND UPPER LEG CLAMP PLATE (ITEM 5) HAS TWO HOLES ON EACH SIDE FOR TAPER ADJUSTMENT.
3. INSTALL PRODUCT EXACTLY AS SHOWN IN DRAWING, WITH ALL BOLTS FACING UPWARDS.

C10857001C 12' HD V-BOOM ASSEMBLY W/TIEBACK

ITEM	QTY.	PART NO.	DESCRIPTION	WEIGHT
1.	2	CW01222	WELDMENT, STANDOFF ARM	126
2.	2	CW01223	WELDMENT, FACE PIPE	147
3.	2	CS03109	PLATE, ROTATING	34
4.	1	CS03110	PLATE, PIVOTING (UPPER)	16
5.	1	CS03111	PLATE, LEG CLAMP (UPPER)	17
6.	1	CS03112	PLATE, PIVOTING (LOWER)	14
7.	1	CS03113	PLATE, LEG CLAMP (LOWER)	17
8.	2	CS03114	PLATE, LEG CLAMP (BACK)	14
9.	1	CS00098	PLATE, TIE BACK SWIVEL	3
10.	1	CS03285	PLATE, TIE BACK CLAMP	4
11.	1	CS03333	PIPE, TIE BACK	38
12.	2	C40026073	BOLT ASSEMBLY, 1 φ X 3 A325	4
13.	8	C40140004	BOLT ASSEMBLY, 5/8 φ X 8 A307	13
14.	1	C40026033	BOLT ASSEMBLY, 5/8 φ X 4 1/2 A325	1
15.	12	C40026025	BOLT ASSEMBLY, 5/8 φ X 2 1/2 A325	6
16.	5	C40026024	BOLT ASSEMBLY, 5/8 φ X 2 1/4 A325	3
17.	2	C40034183	U-BOLT ASSEMBLY, 1/2 φ X 2 15/16 C-C	3
18.	1	Z30992001	MOUNT CLASSIFICATION TAG C10857001C	1
19.	2	C40062103	STAINLESS STEEL SELF-LOCKING CABLE TIE	1
TOTAL WEIGHT				462

PACKAGING NOTE

CK00386 INCLUDES ITEMS 1, 3, 4, 5, 6, 7, 12 & 15 (8 QTY)
 CK00387-HDW INCLUDES ITEMS 8, 9, 10, 13, 14, 15 (4 QTY), 16, 17, 18 & 19
 CK00387-STL INCLUDES ITEMS 2 & 11

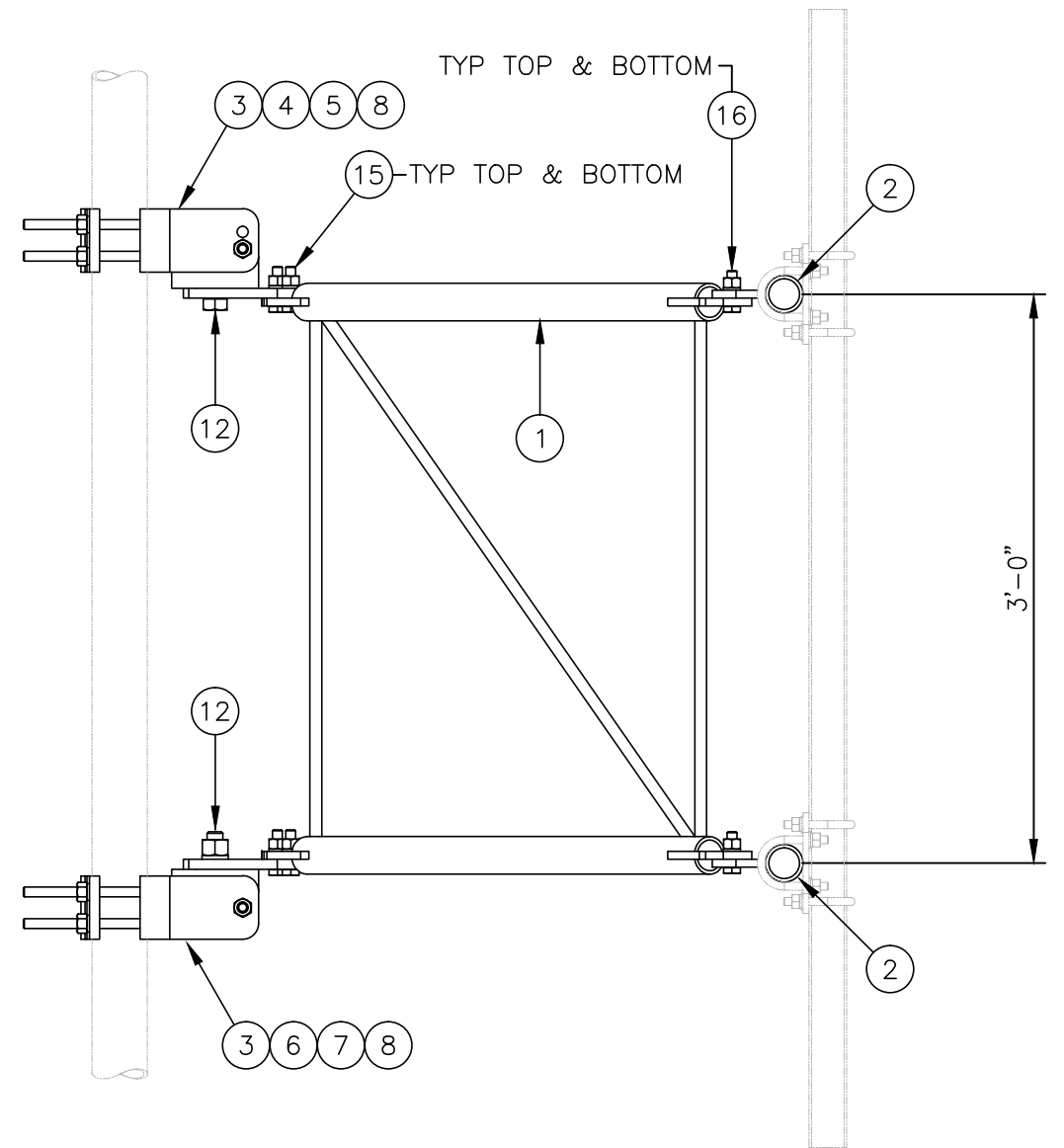
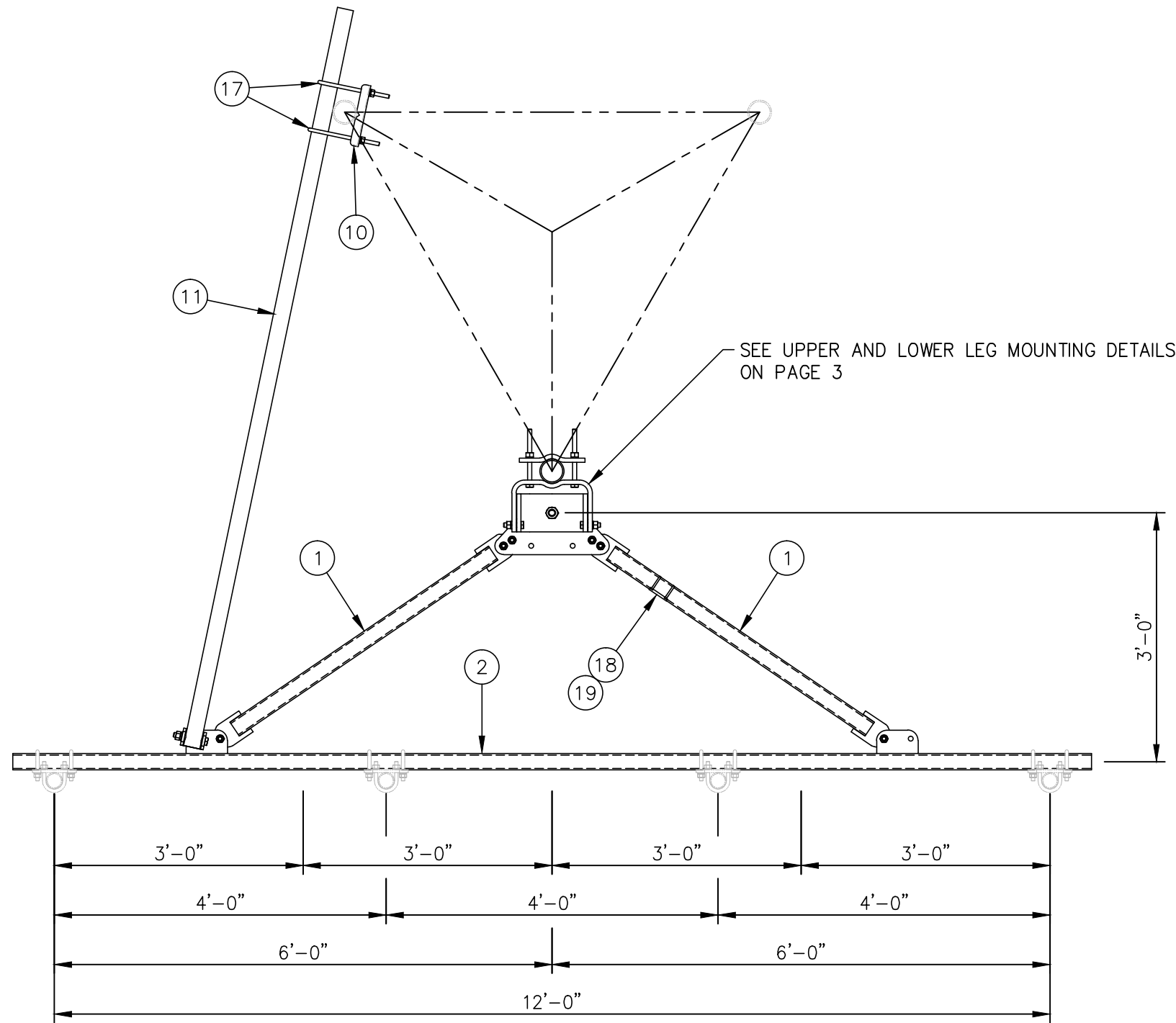
UNLESS OTHERWISE SPECIFIED ALL DIMENSIONS INCLUDE FINISHES AND ARE IN INCHES		MATERIAL:	
TOLERANCES: FRACTIONS ± 1/16" ANGLES ± 1/2 DEG. DECIMALS ± .010"		TOLERANCES DO NOT APPLY TO RAW MATERIAL	
REV	DATE	DRW/CHK	DESCRIPTION
4	04/11/17	KLE/EK	REVISED PACKAGING NOTE
3	10/19/16	KLE/DEL	ADDED INSTALLATION NOTES
2	02/05/16	DLW/DEL	ADDED PACKAGING NOTE
1	01/21/16	KLE/EK	REVISED NOTES & ADDED TIEBACK ANGLE RANGE DETAIL



CONFIDENTIAL
 This document and the information contained herein is the confidential trade secret property of Sabre Communications Corporation ("Sabre") and must not be reproduced, copied or used, in whole or in part, for any purpose without the prior written consent of Sabre.
 © 2015 Sabre Communications Corporation. All rights reserved.

**12' HD V-BOOM ASSEMBLY W/TIEBACK
 (3' STANDOFF)
 W/NO ANTENNA MOUNTING PIPES**

DATE	12/22/15	SIZE	B	DRAWING NO.	C10857001C	REV	4
DRAWN BY	WRF	CHECKED BY	EK	SCALE	None	PAGE	1 OF 3



SIDE VIEW

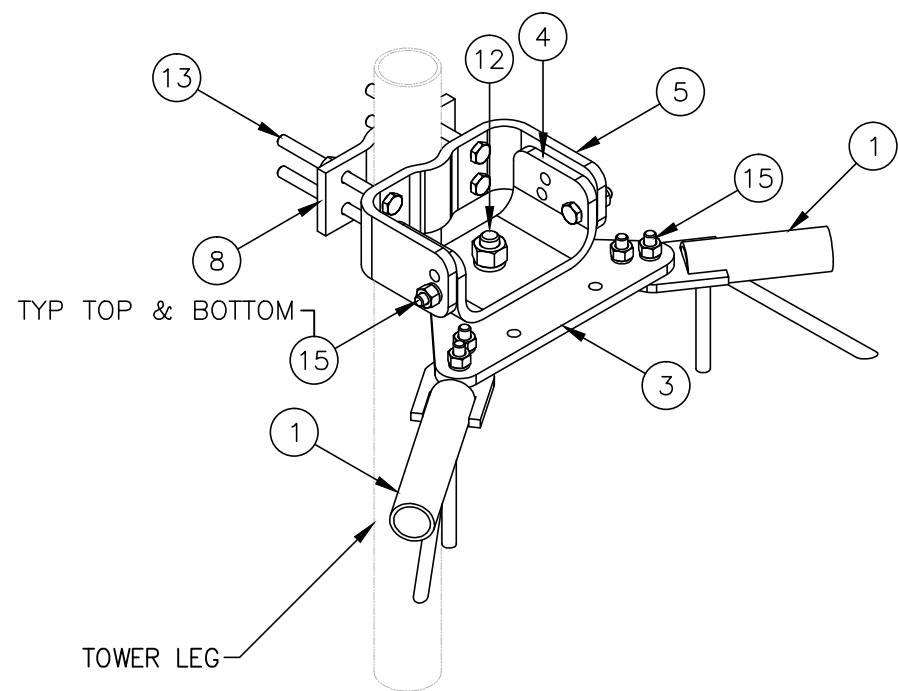
MOUNTING OPTIONS
SHOWING MOUNTING PIPE PLACEMENTS

UNLESS OTHERWISE SPECIFIED ALL DIMENSIONS INCLUDE FINISHES AND ARE IN INCHES				MATERIAL:	
TOLERANCES: FRACTIONS ± 1/16" ANGLES ± 1/2 DEG. DECIMALS ± .010"				TOLERANCES DO NOT APPLY TO RAW MATERIAL	
REV	DATE	DRW	CHK	DESCRIPTION	
4	04/11/17	KLE	EK	REVISED PACKAGING NOTE	
3	10/19/16	KLE	DEL	ADDED INSTALLATION NOTES	
2	02/05/16	DLW	DEL	ADDED PACKAGING NOTE	
1	01/21/16	KLE	EK	REVISED NOTES & ADDED TIEBACK ANGLE RANGE DETAIL	

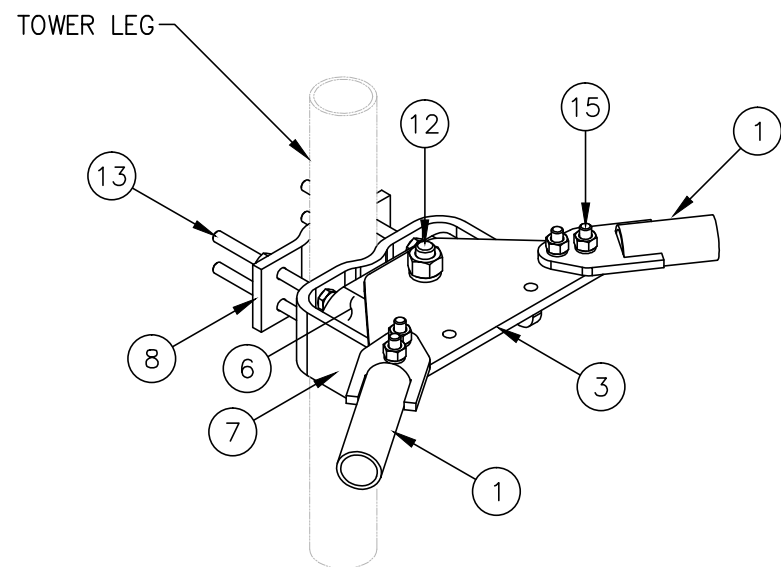
Sabre Industries™
Towers and Poles

CONFIDENTIAL
This document and the information contained herein is the confidential trade secret property of Sabre Communications Corporation ("Sabre") and must not be reproduced, copied or used, in whole or in part, for any purpose without the prior written consent of Sabre.
© 2015 Sabre Communications Corporation. All rights reserved.

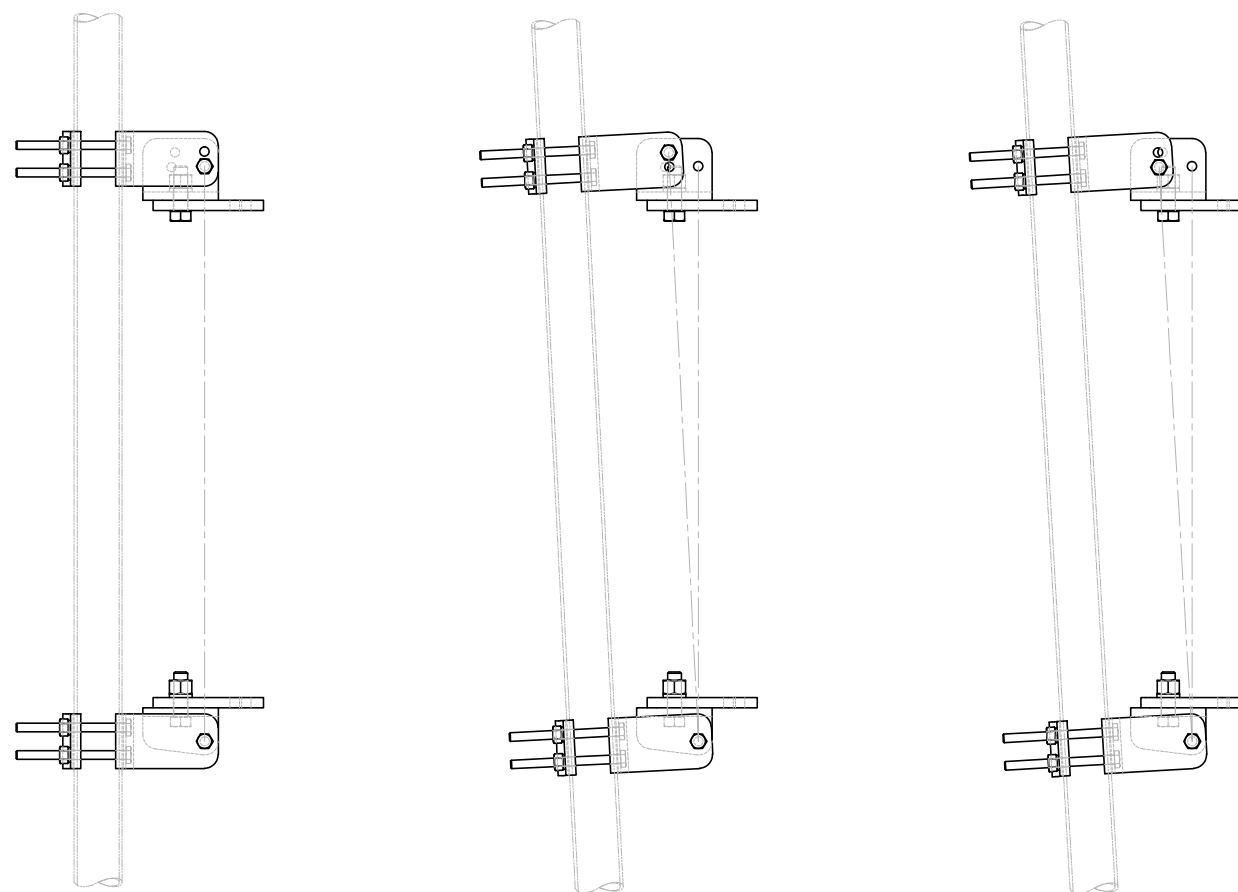
12' HD V-BOOM ASSEMBLY W/TIEBACK (3' STANDOFF) W/NO ANTENNA MOUNTING PIPES					
DATE	12/22/15	SIZE	B	DRAWING NO.	REV
DRAWN BY	WRF			C10857001C	4
CHECKED BY	EK	SCALE	None	PAGE	2 OF 3



UPPER LEG MOUNTING DETAIL



LOWER LEG MOUNTING DETAIL

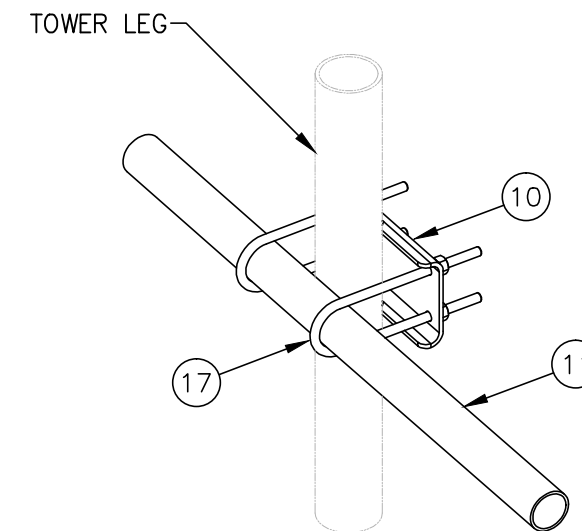


STRAIGHT TOWER SECTION

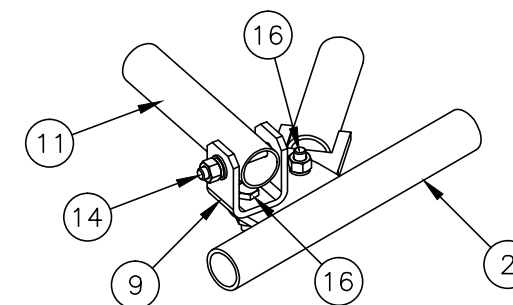
TAPERED 1'-9 IN 20' SLOPE

TAPERED 2' IN 20' SLOPE

-----PIVOTING OPTIONS-----



TIE BACK DETAIL AT TOWER LEG



TIE BACK DETAIL AT ANTENNA MOUNTING FRAME

UNLESS OTHERWISE SPECIFIED ALL DIMENSIONS INCLUDE FINISHES AND ARE IN INCHES		MATERIAL:	
TOLERANCES: FRACTIONS ± 1/16" ANGLES ± 1/2 DEG. DECIMALS ± .010"		TOLERANCES DO NOT APPLY TO RAW MATERIAL	
REV	DATE	DRW	CHK
4	04/11/17	KLE	EK
3	10/19/16	KLE	DEL
2	02/05/16	DLW	DEL
1	01/21/16	KLE	EK
DESCRIPTION			

Sabre Industries™
Towers and Poles

CONFIDENTIAL
This document and the information contained herein is the confidential trade secret property of Sabre Communications Corporation ("Sabre") and must not be reproduced, copied or used, in whole or in part, for any purpose without the prior written consent of Sabre.
© 2015 Sabre Communications Corporation. All rights reserved.

12' HD V-BOOM ASSEMBLY W/TIEBACK (3' STANDOFF) W/NO ANTENNA MOUNTING PIPES			
DATE	12/22/15	SIZE	B
DRAWN BY	WRF	DRAWING NO.	C10857001C
CHECKED BY	EK	SCALE	None
		PAGE	3 OF 3
		REV	4

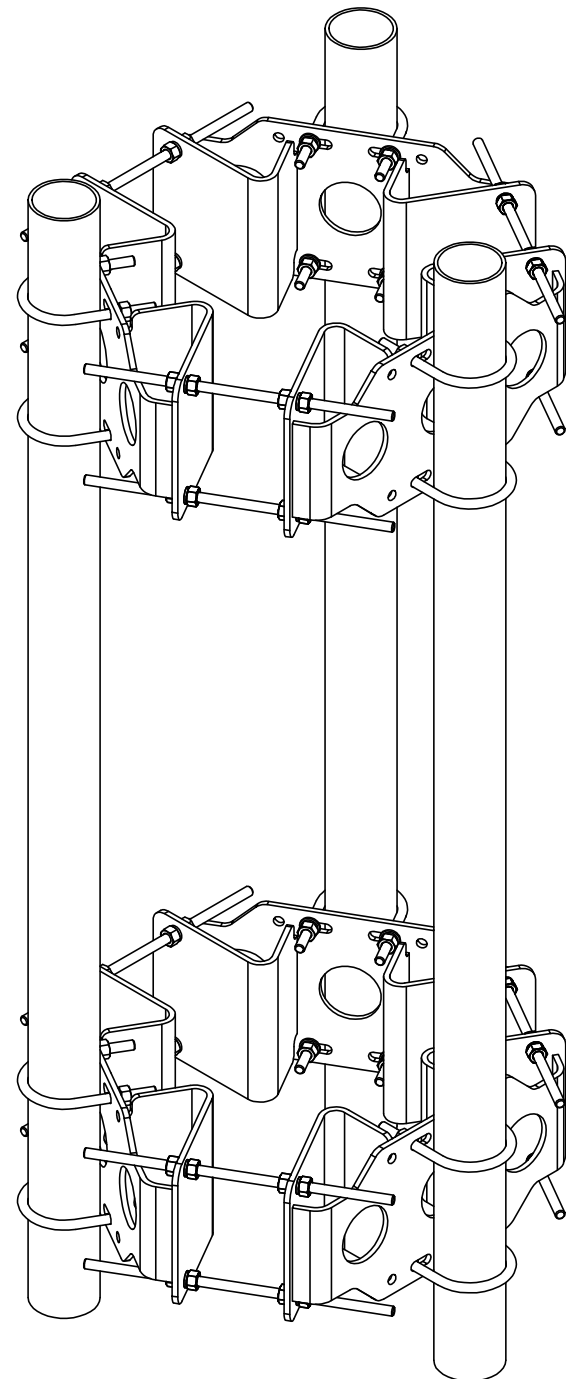


NOTE:

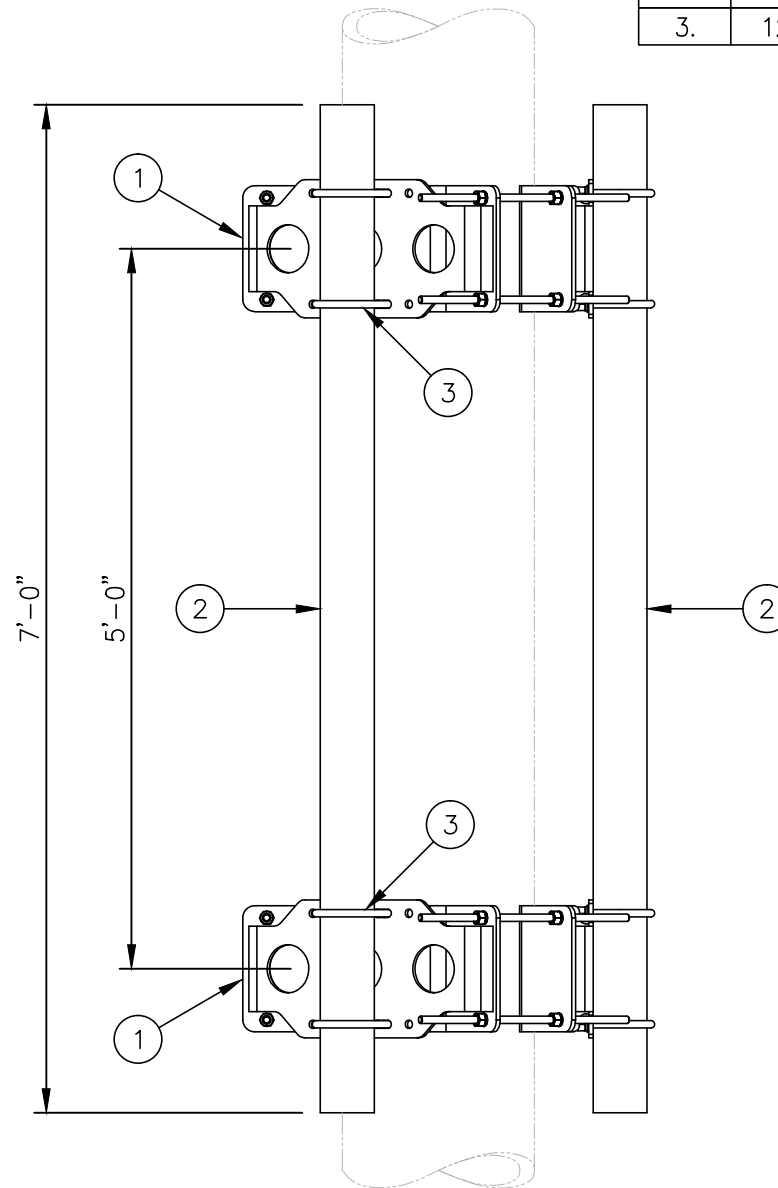
SEE DRAWING C10112377 FOR INSTALLATION OF TRI-COLLAR BRACKET ASSEMBLY

C10899050 4 1/2" O.D. PIPE MOUNT ASSEMBLY

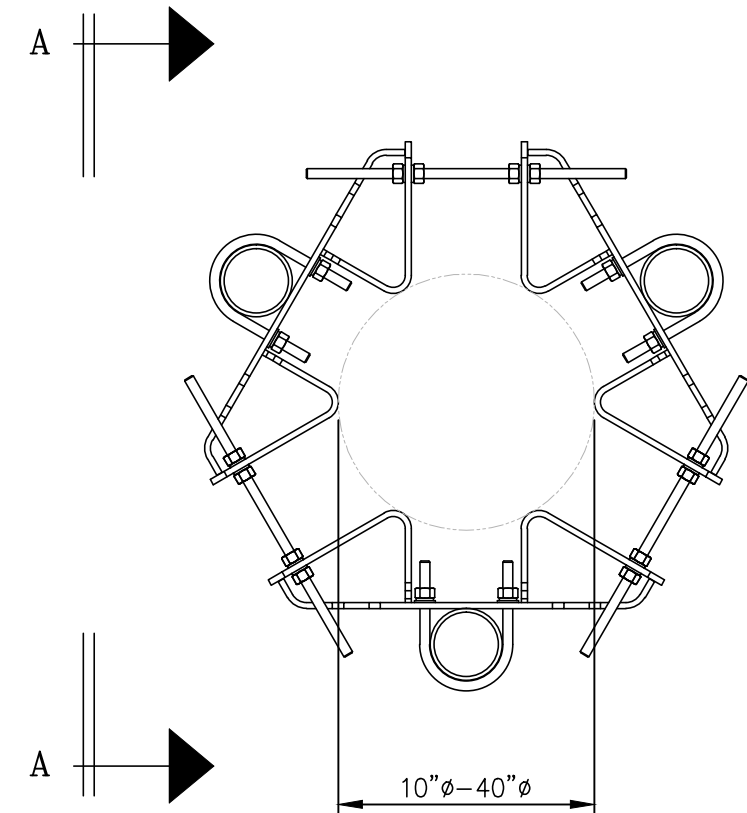
ITEM	QTY.	PART NO.	DESCRIPTION	WEIGHT
1.	2	C10112377	TRI-COLLAR BRACKET ASSEMBLY	416
2.	3	C10901407	PIPE, 4 1/2 O.D. X .237 X 7'-0	236
3.	12	C40034032	U-BOLT ASSEMBLY, 5/8 ϕ X 5 3/16 C-C	26
TOTAL WEIGHT				678



ISOMETRIC VIEW



VIEW A-A



PLAN VIEW

UNLESS OTHERWISE SPECIFIED
ALL DIMENSIONS INCLUDE
FINISHES AND ARE IN INCHES
TOLERANCES: FRACTIONS $\pm 1/16"$
ANGLES $\pm 1/2$ DEG.
DECIMALS $\pm .010"$

MATERIAL:
TOLERANCES DO NOT APPLY
TO RAW MATERIAL



**4 1/2" O.D. PIPE MOUNT ASSEMBLY
FOR MONOPOLES
(FITS 10" TO 40" DIAMETER)**

REV	DATE	DRW	CHK	DESCRIPTION
1	02/03/17	WRF	KLE	COLLAR WAS C10112300

CONFIDENTIAL
This document and the information
contained herein is the confidential trade
secret property of Sabre Communications
Corporation ("Sabre") and must not be
reproduced, copied or used, in whole or in
part, for any purpose without the prior
written consent of Sabre.
© 2016 Sabre Communications Corporation.
All rights reserved.

DATE	01/26/16	SIZE	B	DRAWING NO.	C10899050	REV	1
DRAWN BY	WRF	CHECKED BY	DLW	SCALE	None	PAGE	1 OF 1